

The S-8264A/B/C Series is used for secondary protection of lithium-ion rechargeable batteries, and incorporates a high-accuracy voltage detection circuit and a delay circuit.

Short-circuiting between cells makes it possible for serial connection of two cells to four cells.

## ■ Features

- (1) High-accuracy voltage detection circuit for each cell
  - Overcharge detection voltage n (n = 1 to 4)  
4.200 V to 4.800 V (in 50 mV steps) Accuracy :  $\pm 25$  mV (+25°C), Accuracy :  $\pm 30$  mV (–5°C to +55°C)
  - Overcharge hysteresis voltage n (n = 1 to 4)  
–0.520  $\pm$  0.210 V, –0.390  $\pm$  0.160 V, –0.260  $\pm$  0.110 V, –0.130  $\pm$  0.06 V, None
- (2) Delay times for overcharge detection can be set by an internal circuit only (external capacitors are unnecessary)
- (3) Output control function via CTL pin (CTL pin is pulled down internally) (S-8264A Series)  
Output control function via CTL pin (CTL pin is pulled up internally) (S-8264C Series)
- (4) Output latch function after overcharge detection (S-8264B Series)
- (5) Output form and logic CMOS output active “H”
- (6) High withstand voltage Absolute maximum rating 26 V
- (7) Wide operation voltage range 3.6 V to 24 V
- (8) Wide operation temperature range –40°C to +85°C
- (9) Low current consumption
  - At 3.5 V for each cell 5.0  $\mu$ A max. (+25°C)
  - At 2.3 V for each cell 4.0  $\mu$ A max. (+25°C)
- (10) Lead-free, Sn 100%, halogen-free\*\*1

\*1. Refer to “■ Product Name Structure” for details.

## ■ Application

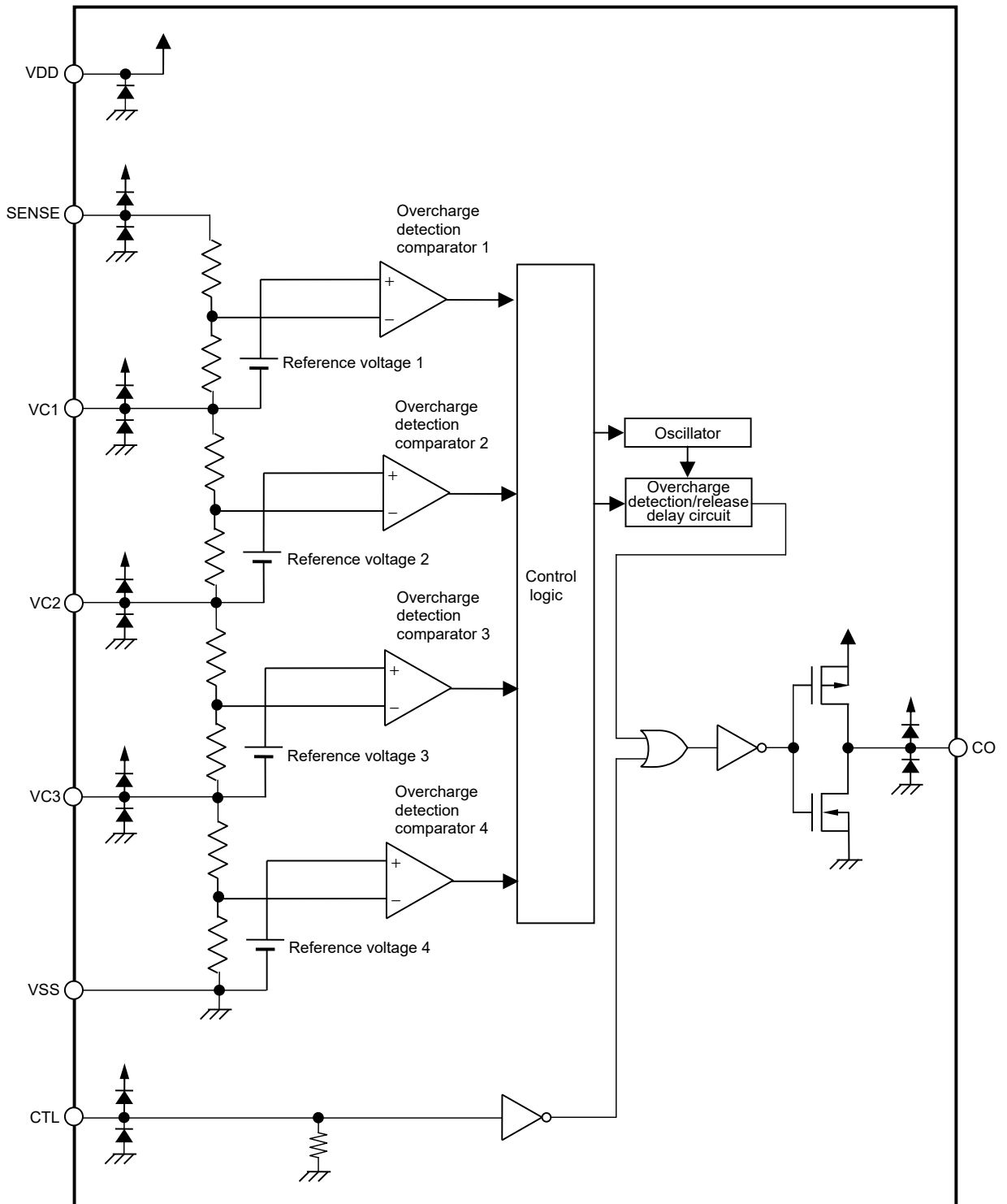
- Lithium-ion rechargeable battery packs (for secondary protection)

## ■ Packages

- SNT-8A
- 8-Pin TSSOP

■ **Block Diagrams**

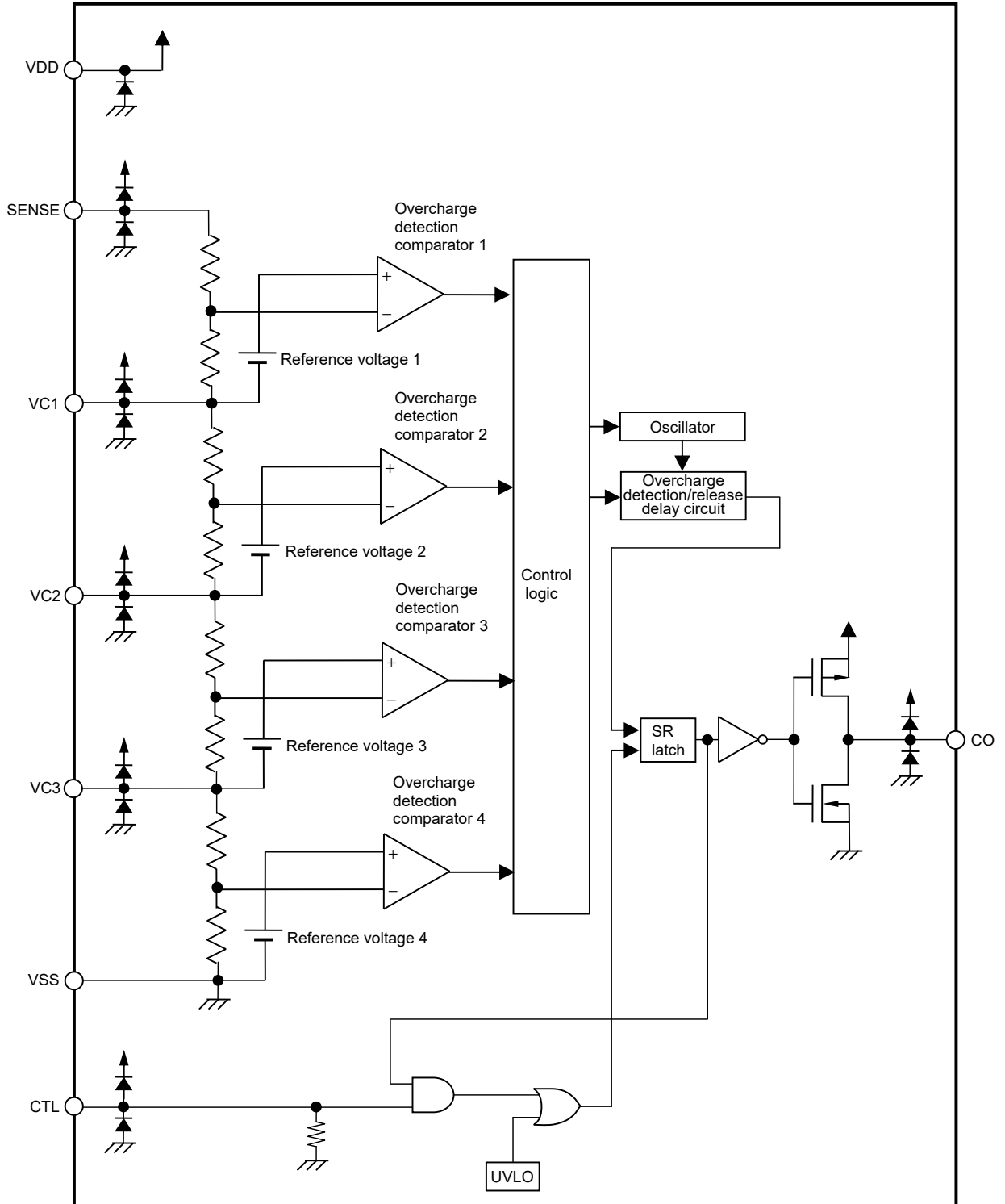
(1) S-8264A Series



**Remark** The diodes in the figure are parasitic diodes.

**Figure 1**

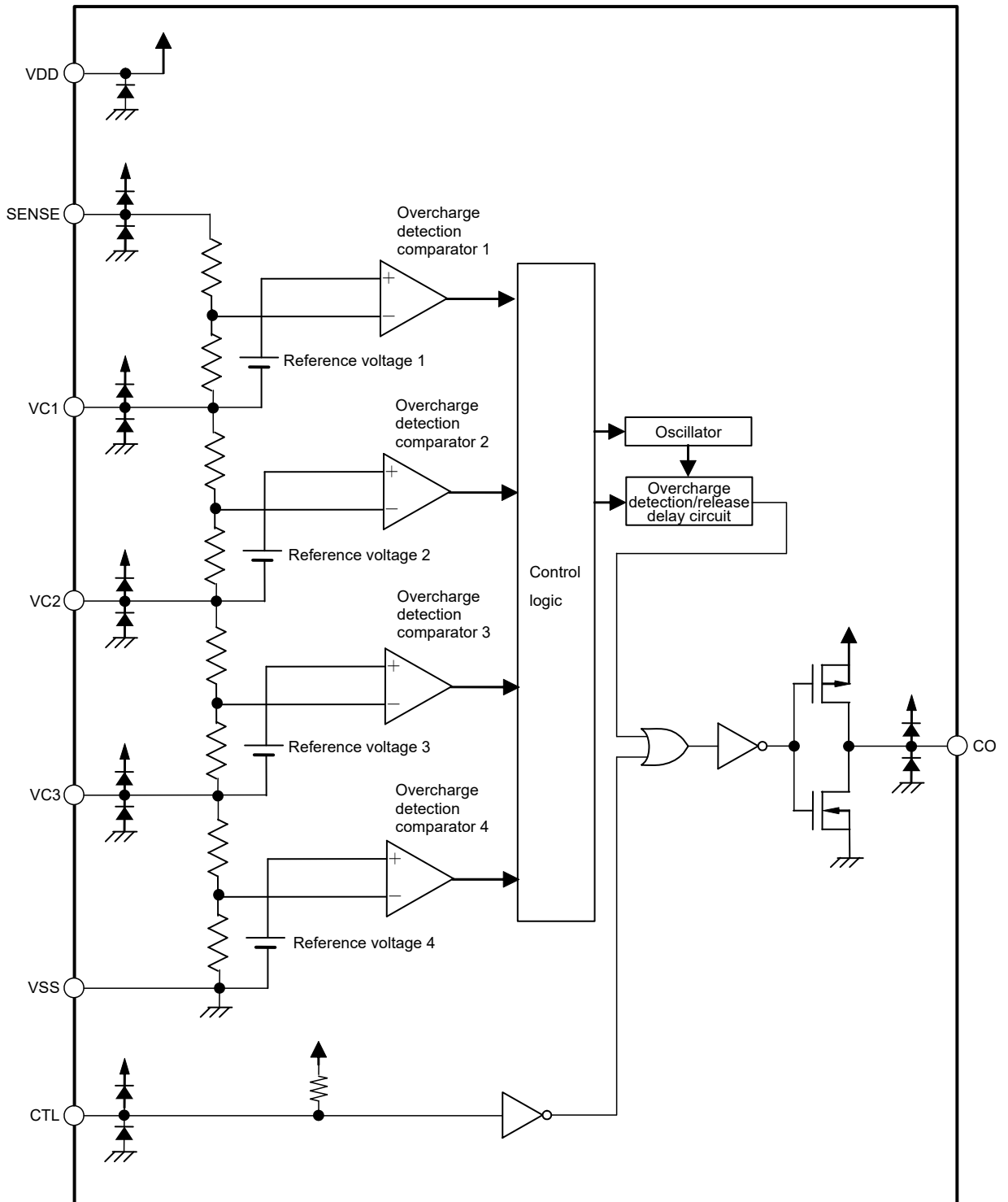
(2) S-8264B Series



**Remark** The diodes in the figure are parasitic diodes.

Figure 2

(3) S-8264C Series



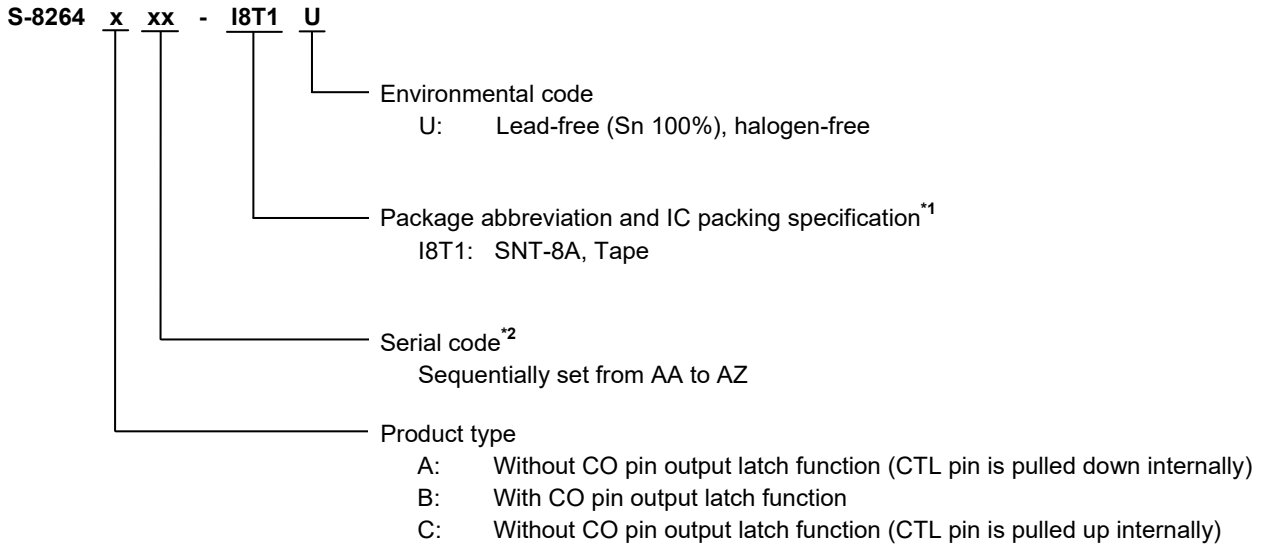
**Remark** The diodes in the figure are parasitic diodes.

**Figure 3**

■ Product Name Structure

1. Product Name

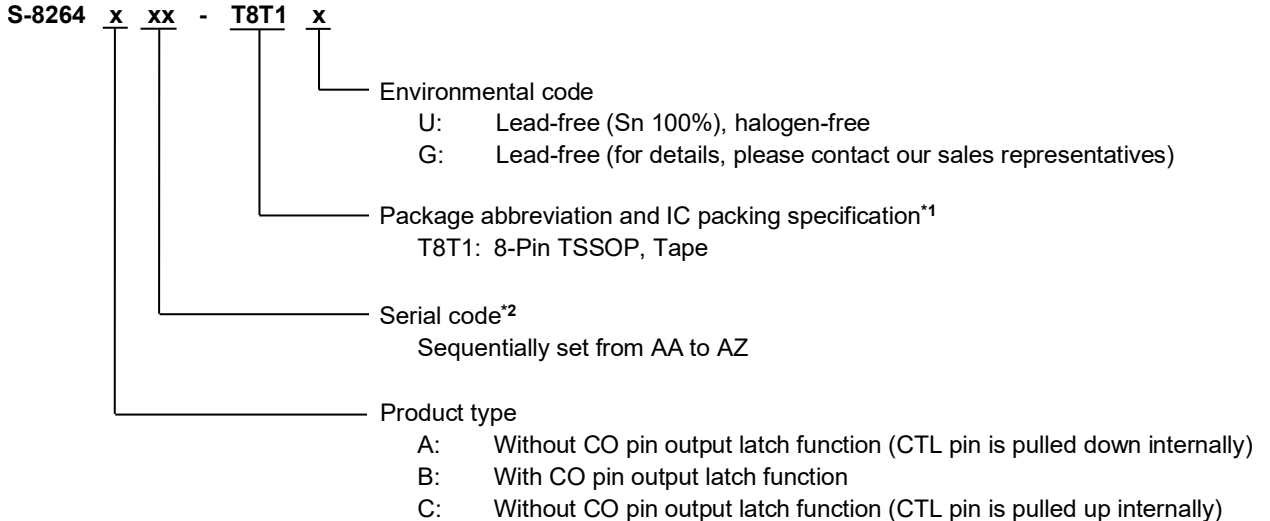
(1) SNT-8A



\*1. Refer to the tape drawing.

\*2. Refer to "3. Product Name List".

(2) 8-Pin TSSOP



\*1. Refer to the tape drawing.

\*2. Refer to "3. Product Name List".

2. Packages

Package Name		Drawing Code			
		Package	Tape	Reel	Land
SNT-8A		PH008-A-P-SD	PH008-A-C-SD	PH008-A-R-SD	PH008-A-L-SD
8-Pin TSSOP	Environmental code = G	FT008-A-P-SD	FT008-E-C-SD	FT008-E-R-SD	—
	Environmental code = U	FT008-A-P-SD	FT008-E-C-SD	FT008-E-R-S1	

**3. Product Name List**

**(1) S-8264A Series**

**Table 1 SNT-8A**

Product Name	Overcharge Detection Voltage [V <sub>CU</sub> ]	Overcharge Hysteresis Voltage [V <sub>HC</sub> ]	Overcharge Detection Delay Time [t <sub>CU</sub> ]	Output Form
S-8264AAA-I8T1U	4.450 ±0.025 V	-0.390 ±0.160 V	4.0 ±0.8 s	CMOS output active "H"
S-8264AAB-I8T1U	4.350 ±0.025 V	-0.390 ±0.160 V	4.0 ±0.8 s	CMOS output active "H"
S-8264AAC-I8T1U	4.500 ±0.025 V	-0.390 ±0.160 V	4.0 ±0.8 s	CMOS output active "H"
S-8264AAD-I8T1U	4.350 ±0.025 V	-0.390 ±0.160 V	2.0 ±0.4 s	CMOS output active "H"
S-8264AAE-I8T1U	4.300 ±0.025 V	-0.390 ±0.160 V	4.0 ±0.8 s	CMOS output active "H"
S-8264AAF-I8T1U	4.450 ±0.025 V	-0.390 ±0.160 V	2.0 ±0.4 s	CMOS output active "H"
S-8264AAG-I8T1U	4.300 ±0.025 V	-0.390 ±0.160 V	2.0 ±0.4 s	CMOS output active "H"
S-8264AAH-I8T1U	4.400 ±0.025 V	-0.390 ±0.160 V	4.0 ±0.8 s	CMOS output active "H"
S-8264AAI-I8T1U	4.400 ±0.025 V	-0.390 ±0.160 V	2.0 ±0.4 s	CMOS output active "H"
S-8264AAJ-I8T1U	4.450 ±0.025 V	-0.390 ±0.160 V	5.65 ±1.15 s	CMOS output active "H"
S-8264AAK-I8T1U	4.350 ±0.025 V	-0.390 ±0.160 V	5.65 ±1.15 s	CMOS output active "H"
S-8264AAO-I8T1U	4.400 ±0.025 V	-0.390 ±0.160 V	5.65 ±1.15 s	CMOS output active "H"
S-8264AAS-I8T1U	4.500 ±0.025 V	-0.390 ±0.160 V	5.65 ±1.15 s	CMOS output active "H"
S-8264AAT-I8T1U	4.550 ±0.025 V	-0.390 ±0.160 V	5.65 ±1.15 s	CMOS output active "H"
S-8264AAV-I8T1U	4.600 ±0.025 V	-0.390 ±0.160 V	5.65 ±1.15 s	CMOS output active "H"
S-8264AAW-I8T1U	4.220 ±0.025 V	-0.390 ±0.160 V	2.0 ±0.4 s	CMOS output active "H"
S-8264AAX-I8T1U	4.650 ±0.025 V	-0.390 ±0.160 V	5.65 ±1.15 s	CMOS output active "H"

**Table 2 8-Pin TSSOP**

Product Name	Overcharge Detection Voltage [V <sub>CU</sub> ]	Overcharge Hysteresis Voltage [V <sub>HC</sub> ]	Overcharge Detection Delay Time [t <sub>CU</sub> ]	Output Form
S-8264AAA-T8T1x	4.450 ±0.025 V	-0.390 ±0.160 V	4.0 ±0.8 s	CMOS output active "H"
S-8264AAB-T8T1x	4.350 ±0.025 V	-0.390 ±0.160 V	4.0 ±0.8 s	CMOS output active "H"
S-8264AAK-T8T1U	4.350 ±0.025 V	-0.390 ±0.160 V	5.65 ±1.15 s	CMOS output active "H"

**(2) S-8264B Series**

**Table 3 SNT-8A**

Product Name	Overcharge Detection Voltage [V <sub>CU</sub> ]	Overcharge Hysteresis Voltage [V <sub>HC</sub> ]	Overcharge Detection Delay Time [t <sub>CU</sub> ]	Output Form
S-8264BAA-I8T1U	4.450 ±0.025 V	-0.390 ±0.160 V	4.0 ±0.8 s	CMOS output active "H"
S-8264BAB-I8T1U	4.350 ±0.025 V	-0.390 ±0.160 V	4.0 ±0.8 s	CMOS output active "H"
S-8264BAC-I8T1U	4.550 ±0.025 V	-0.390 ±0.160 V	4.0 ±0.8 s	CMOS output active "H"
S-8264BAD-I8T1U	4.650 ±0.025 V	-0.390 ±0.160 V	5.65 ±1.15 s	CMOS output active "H"

**Table 4 8-Pin TSSOP**

Product Name	Overcharge Detection Voltage [V <sub>CU</sub> ]	Overcharge Hysteresis Voltage [V <sub>HC</sub> ]	Overcharge Detection Delay Time [t <sub>CU</sub> ]	Output Form
S-8264BAB-T8T1x	4.350 ±0.025 V	-0.390 ±0.160 V	4.0 ±0.8 s	CMOS output active "H"

## (3) S-8264C Series

Table 5 SNT-8A

Product Name	Overcharge Detection Voltage [V <sub>CU</sub> ]	Overcharge Hysteresis Voltage [V <sub>HC</sub> ]	Overcharge Detection Delay Time [t <sub>CU</sub> ]	Output Form
S-8264CAA-I8T1U	4.450 ±0.025 V	-0.390 ±0.160 V	2.0 ±0.4 s	CMOS output active "H"
S-8264CAB-I8T1U	4.220 ±0.025 V	-0.260 ±0.110 V	2.0 ±0.4 s	CMOS output active "H"

**Remark 1.** Please contact our sales representatives for products other than the above.

2. x: G or U

3. Please select products of environmental code = U for Sn 100%, halogen-free products.

■ Pin Configurations

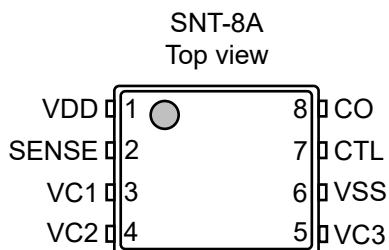


Figure 4

Table 6

Pin No.	Symbol	Description
1	VDD	Positive power input pin
2	SENSE	Positive voltage connection pin of battery 1
3	VC1	Negative voltage connection pin of battery 1 Positive voltage connection pin of battery 2
4	VC2	Negative voltage connection pin of battery 2 Positive voltage connection pin of battery 3
5	VC3	Negative voltage connection pin of battery 3 Positive voltage connection pin of battery 4
6	VSS	Negative power input pin Negative voltage connection pin of battery 4
7	CTL	CO output control pin (S-8264A/C Series) Overcharge detection latch reset pin (S-8264B Series)
8	CO	FET gate connection pin for charge control

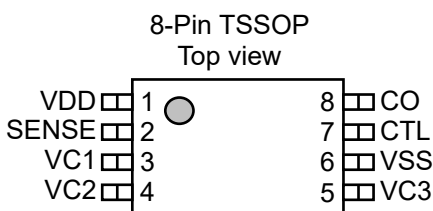


Figure 5

Table 7

Pin No.	Symbol	Description
1	VDD	Positive power input pin
2	SENSE	Positive voltage connection pin of battery 1
3	VC1	Negative voltage connection pin of battery 1 Positive voltage connection pin of battery 2
4	VC2	Negative voltage connection pin of battery 2 Positive voltage connection pin of battery 3
5	VC3	Negative voltage connection pin of battery 3 Positive voltage connection pin of battery 4
6	VSS	Negative power input pin Negative voltage connection pin of battery 4
7	CTL	CO output control pin (S-8264A/C Series) Overcharge detection latch reset pin (S-8264B Series)
8	CO	FET gate connection pin for charge control



■ Absolute Maximum Ratings

Table 8

(Ta = 25°C unless otherwise specified)

Item	Symbol	Applied Pin	Rating	Unit
Input voltage between VDD and VSS	V <sub>DS</sub>	VDD	V <sub>SS</sub> - 0.3 to V <sub>SS</sub> + 26	V
Input pin voltage	V <sub>IN</sub>	SENSE, VC1, VC2, VC3, CTL	V <sub>SS</sub> - 0.3 to V <sub>DD</sub> + 0.3	V
CO output pin voltage	V <sub>CO</sub>	CO	V <sub>SS</sub> - 0.3 to V <sub>DD</sub> + 0.3	V
Power dissipation	SNT-8A	—	450*1	mW
	8-Pin TSSOP		700*1	mW
Operation ambient temperature	T <sub>opr</sub>	—	-40 to +85	°C
Storage temperature	T <sub>stg</sub>	—	-40 to +125	°C

\*1. When mounted on board

[Mounted board]

- (1) Board size : 114.3 mm × 76.2 mm × t1.6 mm
- (2) Name : JEDEC STANDARD51-7

**Caution** The absolute maximum ratings are rated values exceeding which the product could suffer physical damage. These values must therefore not be exceeded under any conditions.

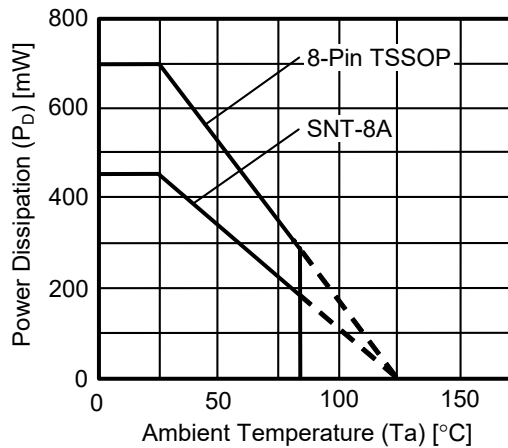


Figure 6 Power Dissipation of Package (When Mounted on Board)

■ **Electrical Characteristics**

1. Except Detection Delay Time

**Table 9**

(Ta = 25°C unless otherwise specified)

Item	Symbol	Condition	Min.	Typ.	Max.	Unit	Test Condition	Test Circuit
<b>DETECTION VOLTAGE</b>								
Overcharge detection voltage n (n = 1, 2, 3, 4)	V <sub>CU<sub>n</sub></sub>	4.200 V to 4.800 V, adjustable, Ta = 25°C	V <sub>CU<sub>n</sub></sub> -0.025	V <sub>CU<sub>n</sub></sub>	V <sub>CU<sub>n</sub></sub> +0.025	V	1	1
		4.200 V to 4.800 V, adjustable, Ta = -5°C to +55°C*1	V <sub>CU<sub>n</sub></sub> -0.030	V <sub>CU<sub>n</sub></sub>	V <sub>CU<sub>n</sub></sub> +0.030	V	1	1
Overcharge hysteresis voltage n*2 (n = 1, 2, 3, 4)	V <sub>HC<sub>n</sub></sub>	—	V <sub>HC<sub>n</sub></sub> -0.210	-0.520	V <sub>HC<sub>n</sub></sub> +0.210	V	1	1
<b>INPUT VOLTAGE</b>								
Operation voltage between VDD and VSS	V <sub>DSOP</sub>	—	3.6	—	24	V	—	—
CTL input "H" voltage	V <sub>CTLH</sub>	—	V <sub>DD</sub> ×0.95	—	—	V	6	2
CTL input "L" voltage	V <sub>CTLL</sub>	—	—	—	V <sub>DD</sub> ×0.4	V	6	2
<b>INPUT CURRENT</b>								
Current consumption during operation	I <sub>OPE</sub>	V1 = V2 = V3 = V4 = 3.5 V	—	2.5	5.0	μA	7	4
Current consumption during overdischarge	I <sub>OPED</sub>	V1 = V2 = V3 = V4 = 2.3 V	—	2.0	4.0	μA	7	4
SENSE pin current	I <sub>SENSE</sub>	V1 = V2 = V3 = V4 = 3.5 V	—	1.5	3.2	μA	8	5
VC1 pin current	I <sub>VC1</sub>	V1 = V2 = V3 = V4 = 3.5 V	-0.3	0	0.3	μA	8	5
VC2 pin current	I <sub>VC2</sub>	V1 = V2 = V3 = V4 = 3.5 V	-0.3	0	0.3	μA	8	5
VC3 pin current	I <sub>VC3</sub>	V1 = V2 = V3 = V4 = 3.5 V	-0.3	0	0.3	μA	8	5
CTL pin "H" current	I <sub>CTLH</sub>	A/B Series V1 = V2 = V3 = V4 = 3.5 V, V <sub>CTL</sub> = V <sub>DD</sub>	1.1	1.5	1.8	μA	8	5
		C Series V1 = V2 = V3 = V4 = 3.5 V, V <sub>CTL</sub> = V <sub>DD</sub>	—	—	0.15	μA	8	5
CTL pin "L" current	I <sub>CTLL</sub>	A/B Series V1 = V2 = V3 = V4 = 3.5 V, V <sub>CTL</sub> = 0 V	-0.15	—	—	μA	8	5
		C Series V1 = V2 = V3 = V4 = 3.5 V, V <sub>CTL</sub> = 0 V	-150	-50	-10	μA	8	5
<b>OUTPUT CURRENT</b>								
CO pin sink current	I <sub>COL</sub>	V <sub>COP</sub> = V <sub>SS</sub> +0.5 V	0.4	—	—	mA	9	6
CO pin source current	I <sub>COH</sub>	V <sub>COP</sub> = V <sub>DD</sub> -0.5 V	20	—	—	μA	9	6

- \*1. Since products are not screened at high and low temperature, the specification for this temperature range is guaranteed by design, not tested in production.
- \*2. -0.390 ±0.160 V, -0.260 ±0.110 V, -0.130 ±0.060 V, or none, except for -0.520 V hysteresis product circuits. The overcharge release voltage is the total of the overcharge detection voltage (V<sub>CU<sub>n</sub></sub>) and the overcharge hysteresis voltage (V<sub>HC<sub>n</sub></sub>).

2. Detection Delay Time

(1) S-8264AAA, S-8264AAB, S-8264AAC, S-8264AAE, S-8264AAH, S-8264BAA, S-8264BAB, S-8264BAC

Table 10

(Ta = 25°C unless otherwise specified)

Item	Symbol	Condition	Min.	Typ.	Max.	Unit	Test Condition	Test Circuit
<b>DELAY TIME</b>								
Overcharge detection delay time	t <sub>CU</sub>	—	3.2	4.0	4.8	s	2	1
Overcharge timer reset delay time	t <sub>TR</sub>	—	6	12	20	ms	3	1
Overcharge release delay time	t <sub>CL</sub>	—	51	64	77	ms	2	1
CTL pin response time	t <sub>CTL</sub>	—	—	—	2.5	ms	4	2
Transition time to Test mode	t <sub>TST</sub>	V1 = V2 = V3 = V4 = 3.5 V, V <sub>DD</sub> ≥ V <sub>SENSE</sub> + 8.5 V	—	—	80	ms	5	3

(2) S-8264AAD, S-8264AAF, S-8264AAG, S-8264AAI, S-8264CAA, S-8264CAB

Table 11

(Ta = 25°C unless otherwise specified)

Item	Symbol	Condition	Min.	Typ.	Max.	Unit	Test Condition	Test Circuit
<b>DELAY TIME</b>								
Overcharge detection delay time	t <sub>CU</sub>	—	1.6	2.0	2.4	s	2	1
Overcharge timer reset delay time	t <sub>TR</sub>	—	6	12	20	ms	3	1
Overcharge release delay time	t <sub>CL</sub>	—	1.6	2.0	3.0	ms	2	1
CTL pin response time	t <sub>CTL</sub>	—	—	—	2.5	ms	4	2
Transition time to Test mode	t <sub>TST</sub>	V1 = V2 = V3 = V4 = 3.5 V, V <sub>DD</sub> ≥ V <sub>SENSE</sub> + 8.5 V	—	—	80	ms	5	3

(3) S-8264AAJ, S-8264AAK, S-8264AAO, S-8264AAS, S-8264AAT, S-8264AAV, S-8264AAX, S-8264BAD

Table 12

(Ta = 25°C unless otherwise specified)

Item	Symbol	Condition	Min.	Typ.	Max.	Unit	Test Condition	Test Circuit
<b>DELAY TIME</b>								
Overcharge detection delay time	t <sub>CU</sub>	—	4.5	5.65	6.8	s	2	1
Overcharge timer reset delay time	t <sub>TR</sub>	—	8	17	28	ms	3	1
Overcharge release delay time	t <sub>CL</sub>	—	70	88	110	ms	2	1
CTL pin response time	t <sub>CTL</sub>	—	—	—	2.5	ms	4	2
Transition time to Test mode	t <sub>TST</sub>	V1 = V2 = V3 = V4 = 3.5 V, V <sub>DD</sub> ≥ V <sub>SENSE</sub> + 8.5 V	—	—	80	ms	5	3

(4) S-8264AAW

Table 13

(Ta = 25°C unless otherwise specified)

Item	Symbol	Condition	Min.	Typ.	Max.	Unit	Test Condition	Test Circuit
<b>DELAY TIME</b>								
Overcharge detection delay time	t <sub>CU</sub>	—	1.6	2.0	2.4	s	2	1
Overcharge timer reset delay time	t <sub>TR</sub>	—	6	12	20	ms	3	1
Overcharge release delay time	t <sub>CL</sub>	—	51	64	77	ms	2	1
CTL pin response time	t <sub>CTL</sub>	—	—	—	2.5	ms	4	2
Transition time to Test mode	t <sub>TST</sub>	V1 = V2 = V3 = V4 = 3.5 V, V <sub>DD</sub> ≥ V <sub>SENSE</sub> + 8.5 V	—	—	80	ms	5	3

## ■ Test Circuits

### (1) Test Condition 1, Test Circuit 1

Set V1, V2, V3, and V4 to 3.5 V. Overcharge detection voltage 1 ( $V_{CU1}$ ) is the V1 voltage when CO is "H" after the voltage of V1 has been gradually increased. The overcharge hysteresis voltage ( $V_{HC1}$ ) is the difference between V1 and  $V_{CU1}$  when CO is "L" after the voltage of V1 has been gradually decreased.

Overcharge detection voltage  $V_{CUn}$  ( $n = 2$  to 4) and overcharge hysteresis  $V_{HCn}$  ( $n = 2$  to 4) can be determined in the same way as when  $n = 1$ .

### (2) Test Condition 2, Test Circuit 1

Set V1, V2, V3, and V4 to 3.5 V and in a moment of time (within 10  $\mu$ s) increase V1 up to 5.0 V. The overcharge detection delay time ( $t_{CU}$ ) is the period from when V1 reached 5.0 V to when CO becomes "H". After that, in a moment of time (within 10  $\mu$ s) decrease V1 down to 3.5 V. The overcharge release delay time ( $t_{CL}$ ) is the period from when V1 has reached 3.5 V to when CO becomes "L".

### (3) Test Condition 3, Test Circuit 1

Set V1, V2, V3, and V4 to 3.5 V and in a moment of time (within 10  $\mu$ s) increase V1 up to 5.0 V. This is defined as the first rise. Within  $t_{CU} - 20$  ms after the first rise, in a moment of time (within 10  $\mu$ s) decrease V1 down to 3.5 V and then in a moment of time (within 10  $\mu$ s) restore up to 5.0 V. This is defined as the second rise. When the period from when V1 was fallen to the second rise is short, CO becomes "H" after  $t_{CU}$  has elapsed since the first rise. If the period from when V1 falls to the second rise is gradually made longer, CO becomes "H" when  $t_{CU}$  has elapsed since the second rise. The overcharge timer reset delay time ( $t_{TR}$ ) is the period from V1 fall till the second rise at that time.

### (4) Test Condition 4, Test Circuit 2

In the S-8264A/C Series, set V1, V2, V3, and V4 to 3.5 V and V5 to 14 V. The CTL pin response time ( $t_{CTL}$ ) is the period from when V5 reaches 0 V after V5 is in a moment of time (within 10  $\mu$ s) decreased down to 0 V to when CO becomes "H".

In the S-8264B Series, set V1, V2, V3, and V4 to 3.5 V and V5 to 14 V after an overvoltage is detected and CO becomes "H". In a moment of time (within 10  $\mu$ s) raise V5 from 0 V to 14 V. The CTL pin response time ( $t_{CTL}$ ) is the period from when V5 becomes 14 V to when CO becomes "L".

### (5) Test Condition 5, Test Circuit 3

After setting V1, V2, V3, and V4 to 3.5 V and V5 to 0 V, in a moment of time (within 10  $\mu$ s) increase V5 up to 8.5 V and decrease V5 again down to 0 V. When the period from when V5 was raised to when it has fallen is short, if an overcharge detection operation is performed subsequently, the overcharge detection time is  $t_{CU}$ . However, when the period from when V5 is raised to when it is fallen is gradually made longer, the overcharge detection time during the subsequent overcharge detection operation is shorter than  $t_{CU}$ . The transition time to test mode ( $t_{TST}$ ) is the period from when V5 was raised to when it has fallen at that time.

**(6) Test Condition 6, Test Circuit 2**

Set V1, V2, V3, and V4 to 3.5 V and V5 to 0 V. The CTL input "H" voltage ( $V_{CTLH}$ ) is the maximum voltage of V5 when CO is "L" after V5 has been gradually increased. Next, set V5 to 14 V. The CTL input "L" voltage ( $V_{CTL L}$ ) is the minimum voltage of V5 when CO is "H" after V5 has been gradually decreased.

**(7) Test Condition 7, Test Circuit 4**

The current consumption during operation ( $I_{OPE}$ ) is the total of the currents that flow in the VDD pin and SENSE pin when V1, V2, V3, and V4 are set to 3.5 V.

The current consumption during overdischarge ( $I_{OPED}$ ) is the total of the currents that flow in the VDD pin and SENSE pin when V1, V2, V3, and V4 are set to 2.3 V.

**(8) Test Condition 8, Test Circuit 5**

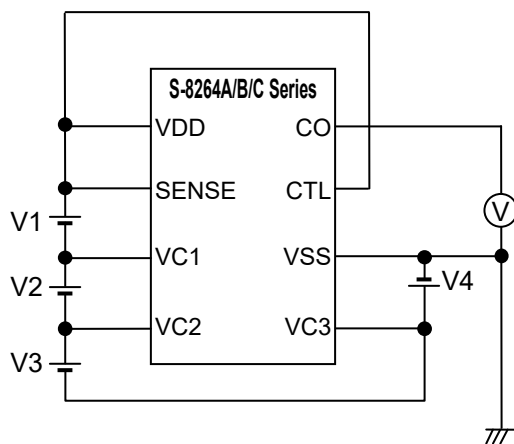
The SENSE pin current ( $I_{SENSE}$ ) is I1, the VC1 pin current ( $I_{VC1}$ ) is I2, the VC2 pin current ( $I_{VC2}$ ) is I3, the VC3 pin current ( $I_{VC3}$ ) is I4, and the CTL pin "H" current ( $I_{CTLH}$ ) is I5 when V1, V2, V3, and V4 are set to 3.5 V, and V5 to 14 V.

The CTL pin "L" current ( $I_{CTL L}$ ) is I5 when V1, V2, V3, and V4 are set to 3.5 V and V5 to 0 V.

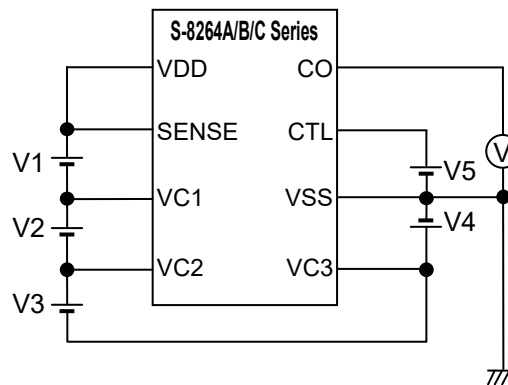
**(9) Test Condition 9, Test Circuit 6**

Set SW1 to OFF and SW2 to ON. The CO pin sink current ( $I_{COL}$ ) is I2 when V1, V2, V3, and V4 are set to 3.5 V and V6 to 0.5 V.

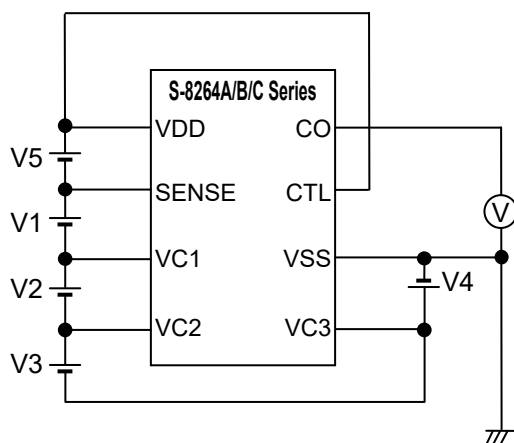
Set SW1 and SW2 to OFF. Set V1 to V5, set V2, V3, and V4 to 3.0 V, and set V5 to 0.5 V. After  $t_{CU}$  has elapsed, set SW1 to ON and SW2 to OFF. I1 is the CO pin source current ( $I_{COH}$ ).



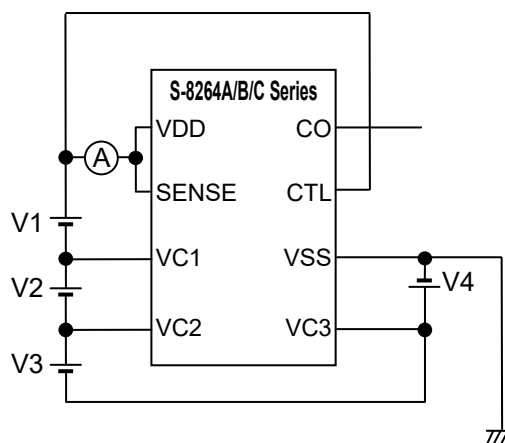
Test Circuit 1



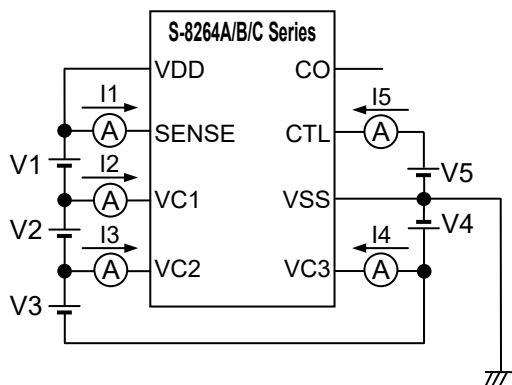
Test Circuit 2



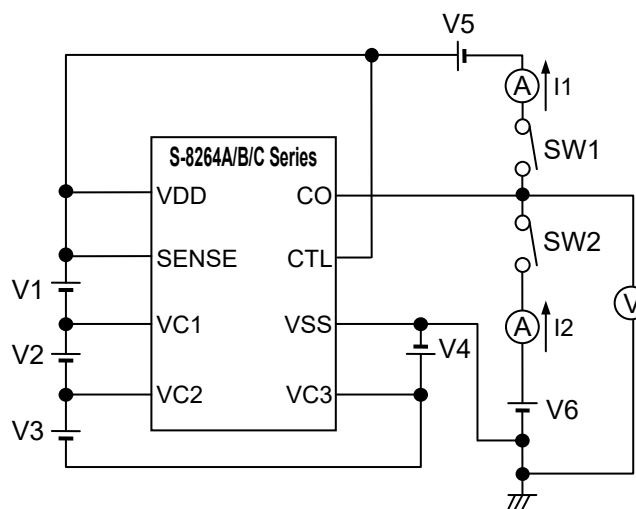
Test Circuit 3



Test Circuit 4



Test Circuit 5



Test Circuit 6

Figure 7

## ■ Operation

**Remark** Refer to “■ Battery Protection IC Connection Example”.

### 1. Overcharge Detection

When the voltage of one of the batteries exceeds the overcharge detection voltage ( $V_{CU}$ ) during charging under normal conditions and the state is retained for the overcharge detection delay time ( $t_{CU}$ ) or longer, CO becomes “H”. This state is called overcharge. Connecting FET to the CO pin provides charge control and a second protection.

In the S-8264A/C Series, if the voltage of each of the batteries is lower than  $V_{CU} + V_{HC}$  and the state is retained for the overcharge release delay time ( $t_{CL}$ ) or longer, CO becomes “L”.

In the S-8264B Series, if the voltage of each of the batteries is lower than  $V_{CU} + V_{HC}$  and the state is retained for  $t_{CL}$  or longer, the overcharge state is released; however, CO stays at “H”. When the CTL pin is switched from “L” to “H”, CO becomes “L”.

### 2. Overcharge Timer Reset Operation

When an overcharge release noise that forces the voltage of one of the batteries temporarily below  $V_{CU}$  is input during  $t_{CU}$  from when  $V_{CU}$  is exceeded to when charging is stopped,  $t_{CU}$  is continuously counted if the time the overcharge release noise persists is shorter than the overcharge timer reset delay time ( $t_{TR}$ ). Under the same conditions, if the time the overcharge release noise persists is  $t_{TR}$  or longer, counting of  $t_{CU}$  is reset once. After that, when  $V_{CU}$  has been exceeded, counting  $t_{CU}$  resumes.

**3. CTL Pin**

The S-8264A/B/C Series has a control pin. The CTL pin is used to control the output voltage of the CO pin. In the S-8264A/C Series, the CTL pin takes precedence over the overcharge detection circuit.

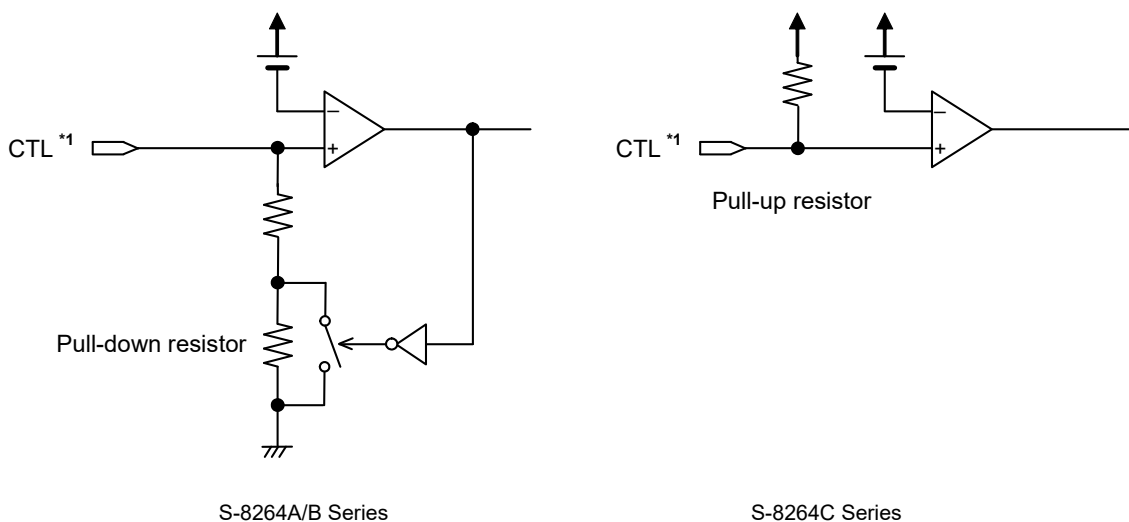
In the S-8264B Series, when the CTL pin is switched from “L” to “H”, a reset signal is output to the overcharge detection latch and CO becomes “L”.

**Table 14 Control via CTL Pin**

CTL Pin	CO Pin		
	S-8264A Series	S-8264B Series	S-8264C Series
“H”	Normal state*1	Without latch	Normal state*1
Open	“H”	Normal state*1	Normal state*1
“L”	“H”	Normal state*1	“H”
“L” → “H”	–	Latch reset*2	–
“H” → “L”	–	–	–

\*1. The state is controlled by the overcharge detection circuit.

\*2. Latch reset becomes effective when the voltage of each of the batteries is lower than the overcharge detection voltage ( $V_{CU}$ ) + the overcharge hysteresis voltage ( $V_{HC}$ ) and the overcharge release delay time ( $t_{CL}$ ) has elapsed.



\*1. The reverse voltage “H” to “L” or “L” to “H” of CTL pin is VDD pin voltage – 2.8 V (Typ.), does not have the hysteresis.

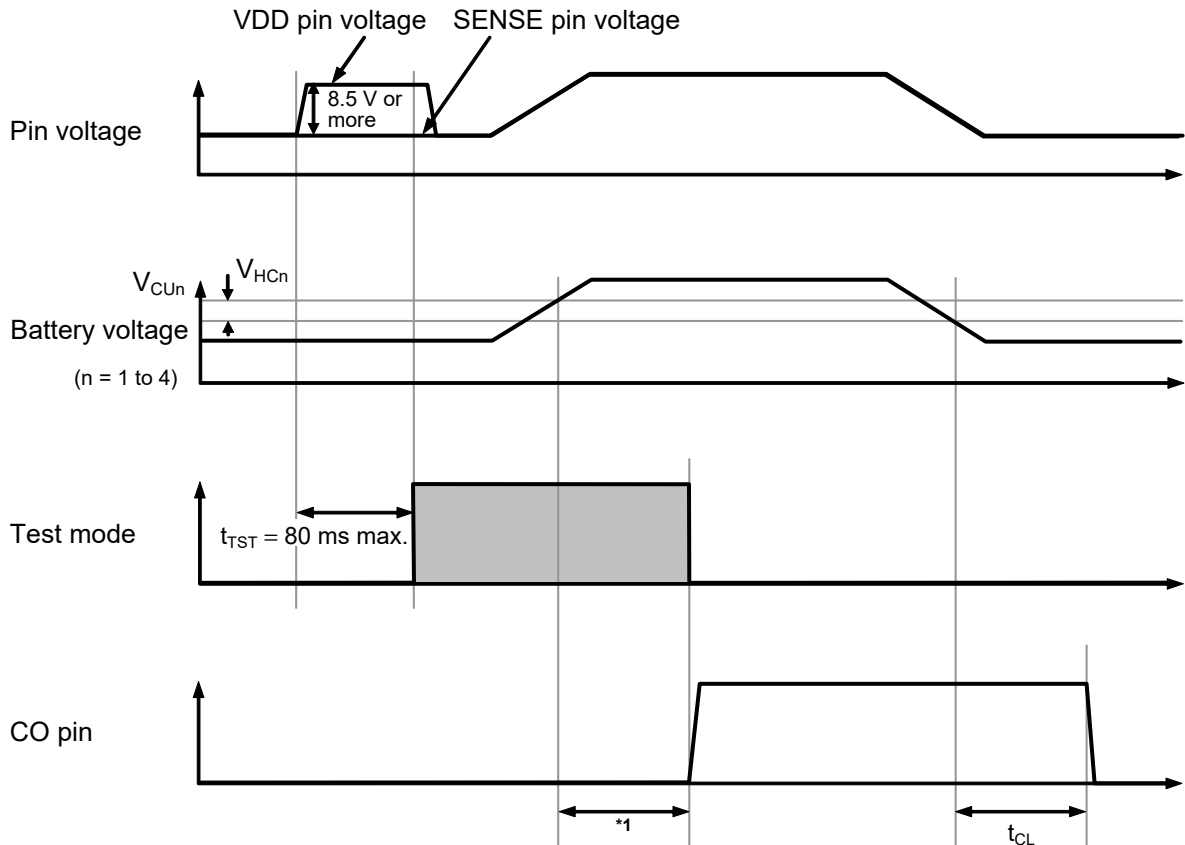
**Figure 8 Internal Equivalent Circuit of CTL Pin**

- Caution**
- In the S-8264A/B Series, since the CTL pin implements high resistance of 8 MΩ to 12 MΩ for pull down, be careful of external noise application. If an external noise is applied, CO may become “H”. Perform thorough evaluation using the actual application.
  - In the S-8264B Series, when the CTL pin is open or “L”, CO latches “H”. When the VDD pin voltage is decreased to the UVLO voltage of 2 V (Typ.) or lower, the latch is reset.



**4. Test Mode**

In the S-8264A/B/C Series, the overcharge detection delay time ( $t_{CU}$ ) can be shortened by entering the test mode. The test mode can be set by retaining the VDD pin voltage 8.5 V or more higher than the SENSE pin voltage for at least 80 ms ( $V_1 = V_2 = V_3 = V_4 = 3.5\text{ V}$ ,  $T_a = 25^\circ\text{C}$ ). The status is retained by the internal latch and the test mode is retained even if the VDD pin voltage is decreased to the same voltage as that of the SENSE pin. When CO becomes “H” when the delay time has elapsed after overcharge detection, the latch for retaining the test mode is reset and the S-8264A/B Series exits from the test mode.



- \*1. In the product  $t_{CU} = 4\text{ s Typ.}$  during normal mode,  $t_{CU} = 64\text{ ms Typ.}$   
 In the product  $t_{CU} = 2\text{ s Typ.}$  during normal mode,  $t_{CU} = 32\text{ ms Typ.}$   
 In the product  $t_{CU} = 5.65\text{ s Typ.}$  during normal mode,  $t_{CU} = 88\text{ ms Typ.}$

Figure 9

- Caution**
1. When the VDD pin voltage is decreased to lower than the UVLO voltage of 2 V (Typ.), the S-8264A/B/C Series returns to the normal mode.
  2. Set the test mode when no batteries are overcharged.
  3. The overcharge release delay time ( $t_{CL}$ ) is not shortened in the test mode.
  4. The overcharge timer reset delay time ( $t_{TR}$ ) is not shortened in the test mode.

■ **Timing Charts**

1. **Overcharge Detection Operation**

(1) **S-8264A/C Series**

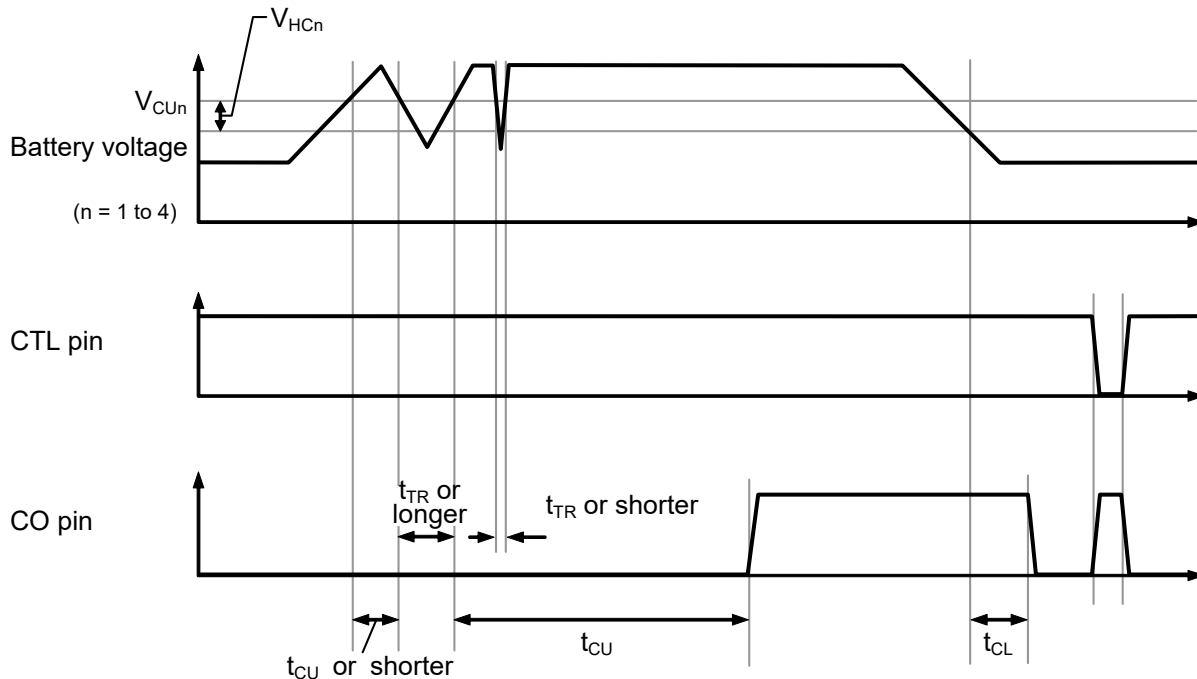


Figure 10

(2) **S-8264B Series**

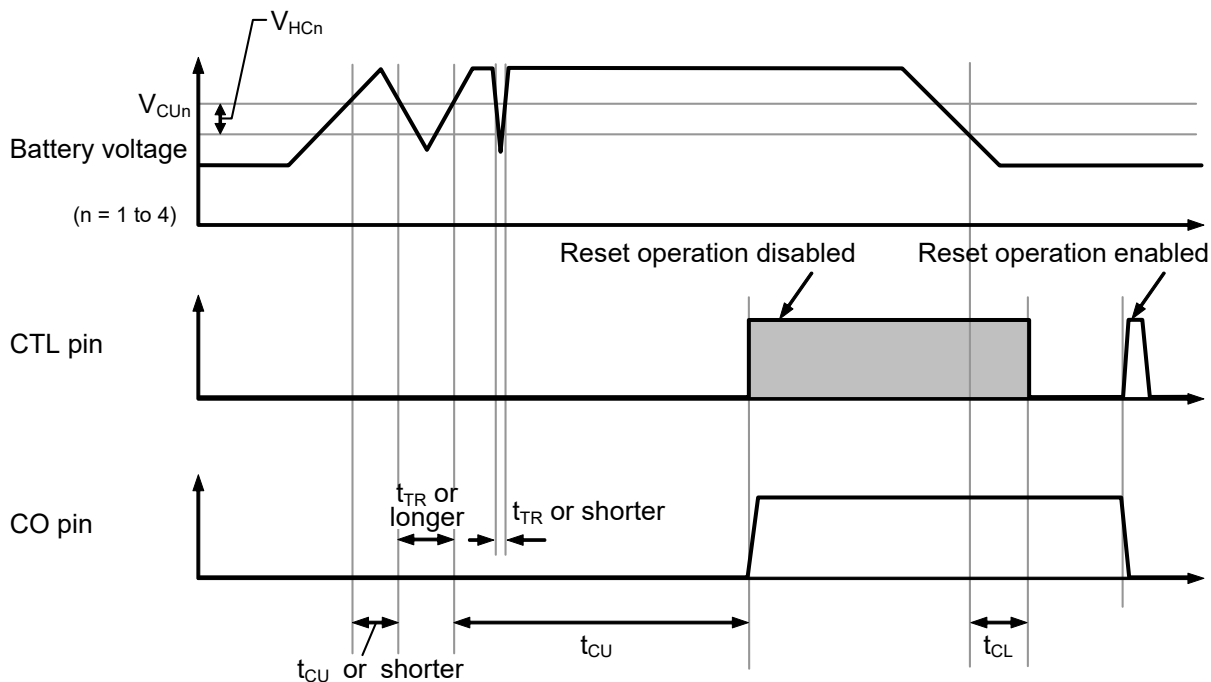


Figure 11

2. Overcharge Timer Reset Operation

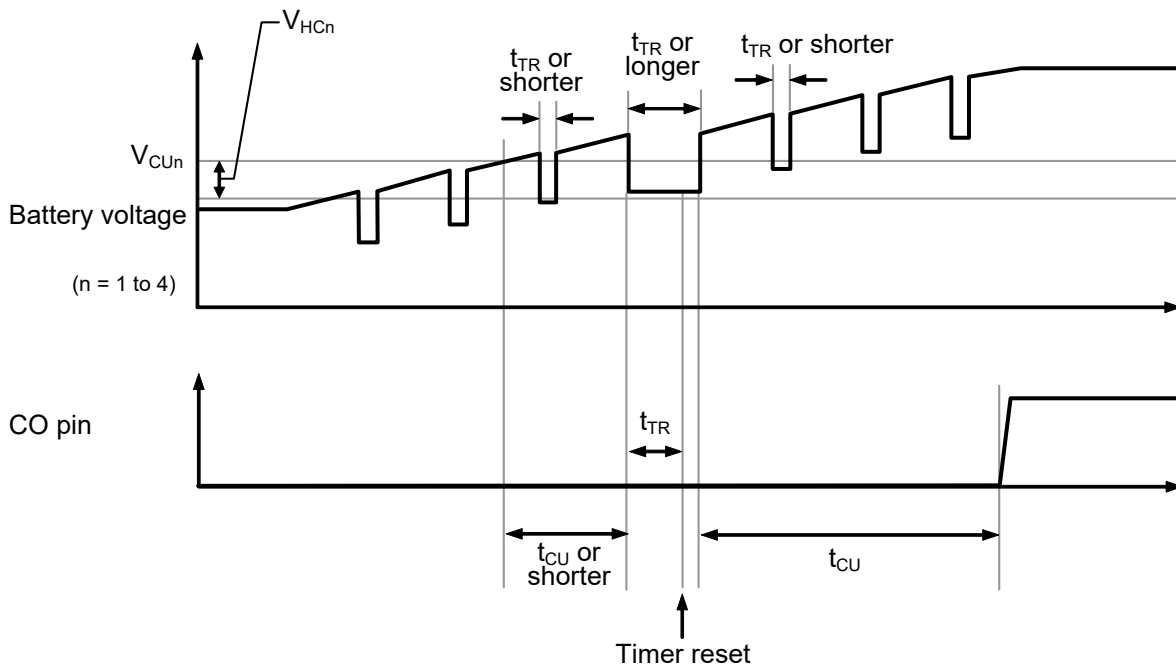


Figure 12

■ Battery Protection IC Connection Example

(1) 4-serial cell

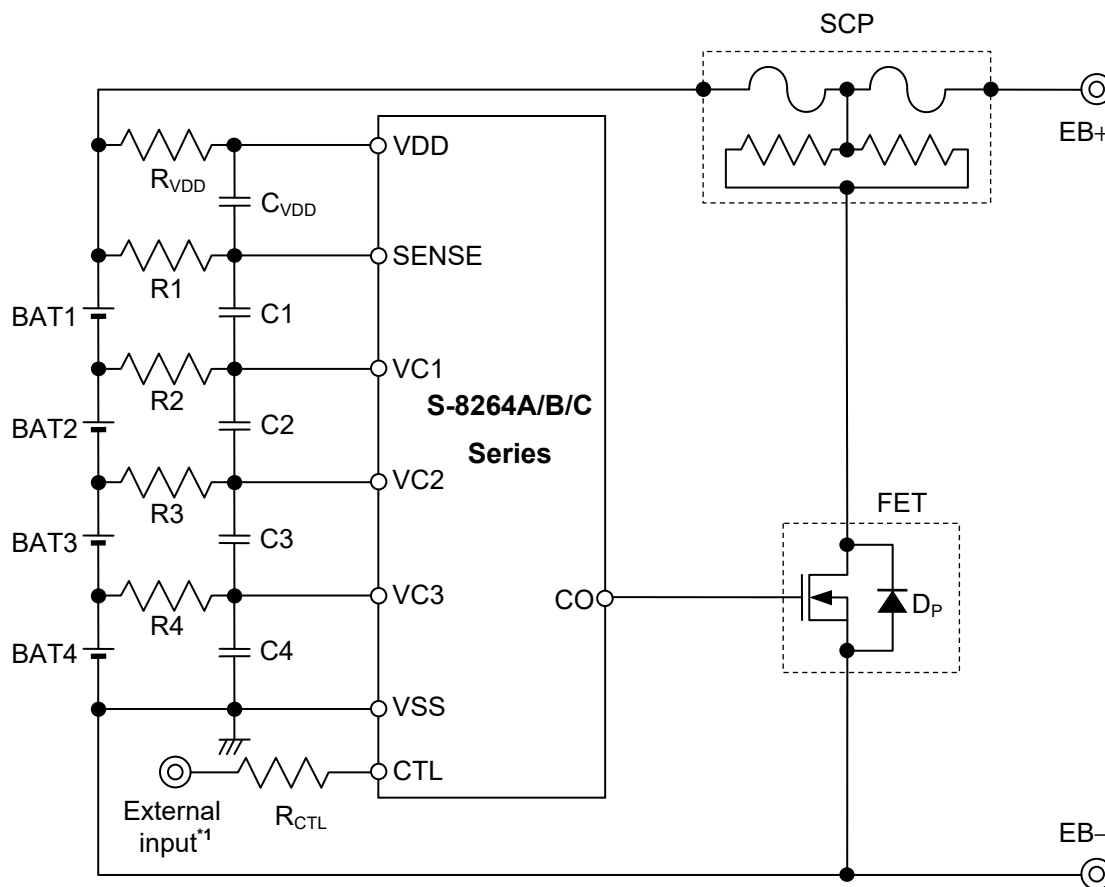


Figure 13

\*1. Refer to Table 14 for setting on external input.

Table 15 Constants for External Components

No.	Part	Min.	Typ.	Max.	Unit
1	R1 to R4	0.1	1	10	kΩ
2	C1 to C4, C_VDD	0.01	0.1	1	μF
3	R_VDD	50	100	500	Ω
4	R_CTL	0	100	500	Ω

- Caution**
- The constants may be changed without notice.
  - It has not been confirmed whether the operation is normal or not in circuits other than the connection example. In addition, the connection example and the constants do not guarantee proper operation. Perform thorough evaluation using the actual application to set the constants.
  - Set the same constants to R1 to R4 and to C1 to C4 and C\_VDD.
  - Set R\_VDD, C1 to C4, and C\_VDD so that the condition  $(R_{VDD}) \times (C1 \text{ to } C4, C_{VDD}) \geq 5 \times 10^{-6}$  is satisfied.
  - Set R1 to R4, C1 to C4, and C\_VDD so that the condition  $(R1 \text{ to } R4) \times (C1 \text{ to } C4, C_{VDD}) \geq 1 \times 10^{-4}$  is satisfied.
  - Since "H" may be output at CO transiently when the battery is being connected, connect the positive terminal of BAT1 last in order to prevent the three terminal protection fuse from cutoff.

(2) 3-serial cell

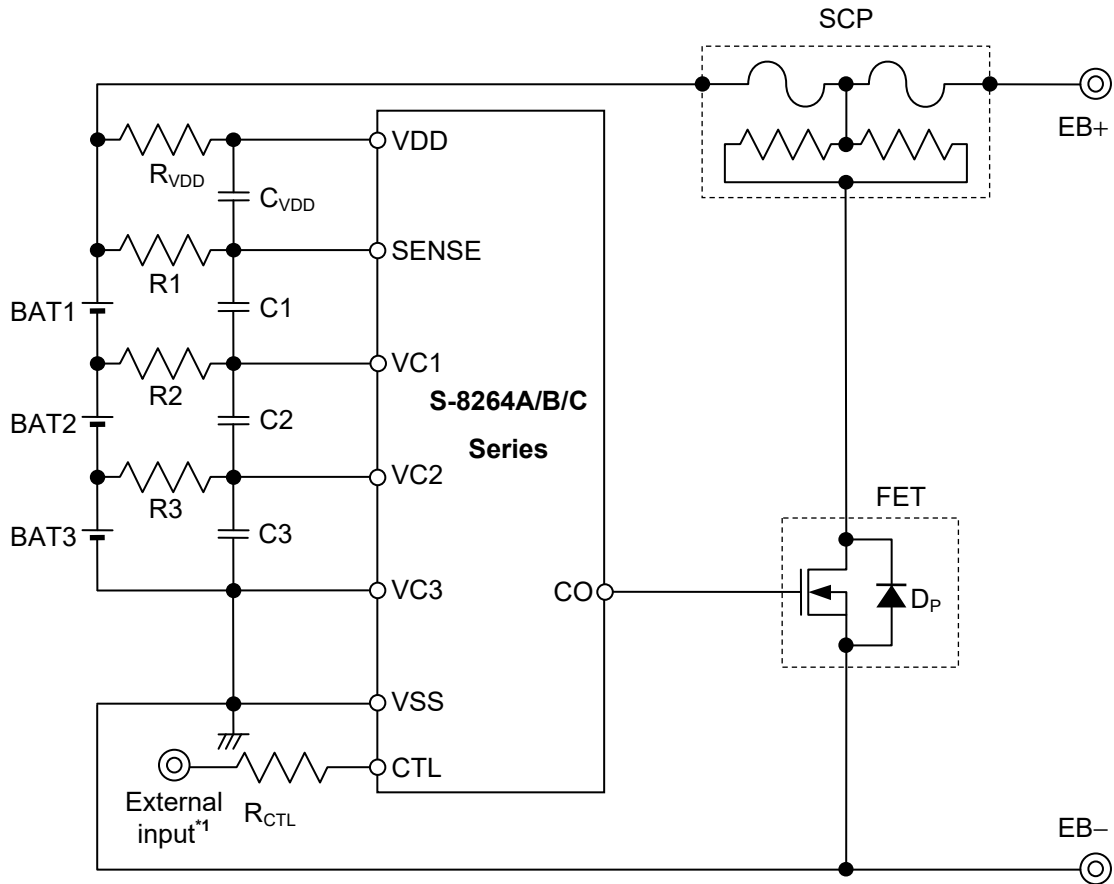


Figure 14

\*1. Refer to Table 14 for setting on external input.

Table 16 Constants for External Components

No.	Part	Min.	Typ.	Max.	Unit
1	R1 to R3	0.1	1	10	kΩ
2	C1 to C3, CVDD	0.01	0.1	1	μF
3	RVDD	50	100	500	Ω
4	RCTL	0	100	500	Ω

- Caution**
1. The constants may be changed without notice.
  2. It has not been confirmed whether the operation is normal or not in circuits other than the connection example. In addition, the connection example and the constants do not guarantee proper operation. Perform thorough evaluation using the actual application to set the constants.
  3. Set the same constants to R1 to R3 and to C1 to C3 and CVDD.
  4. Set RVDD, C1 to C3, and CVDD so that the condition  $(RVDD) \times (C1 \text{ to } C3, CVDD) \geq 5 \times 10^{-6}$  is satisfied.
  5. Set R1 to R3, C1 to C3, and CVDD so that the condition  $(R1 \text{ to } R3) \times (C1 \text{ to } C3, CVDD) \geq 1 \times 10^{-4}$  is satisfied.
  6. Since "H" may be output at CO transiently when the battery is being connected, connect the positive terminal of BAT1 last in order to prevent the three terminal protection fuses from cutoff.

(3) 2-serial cell

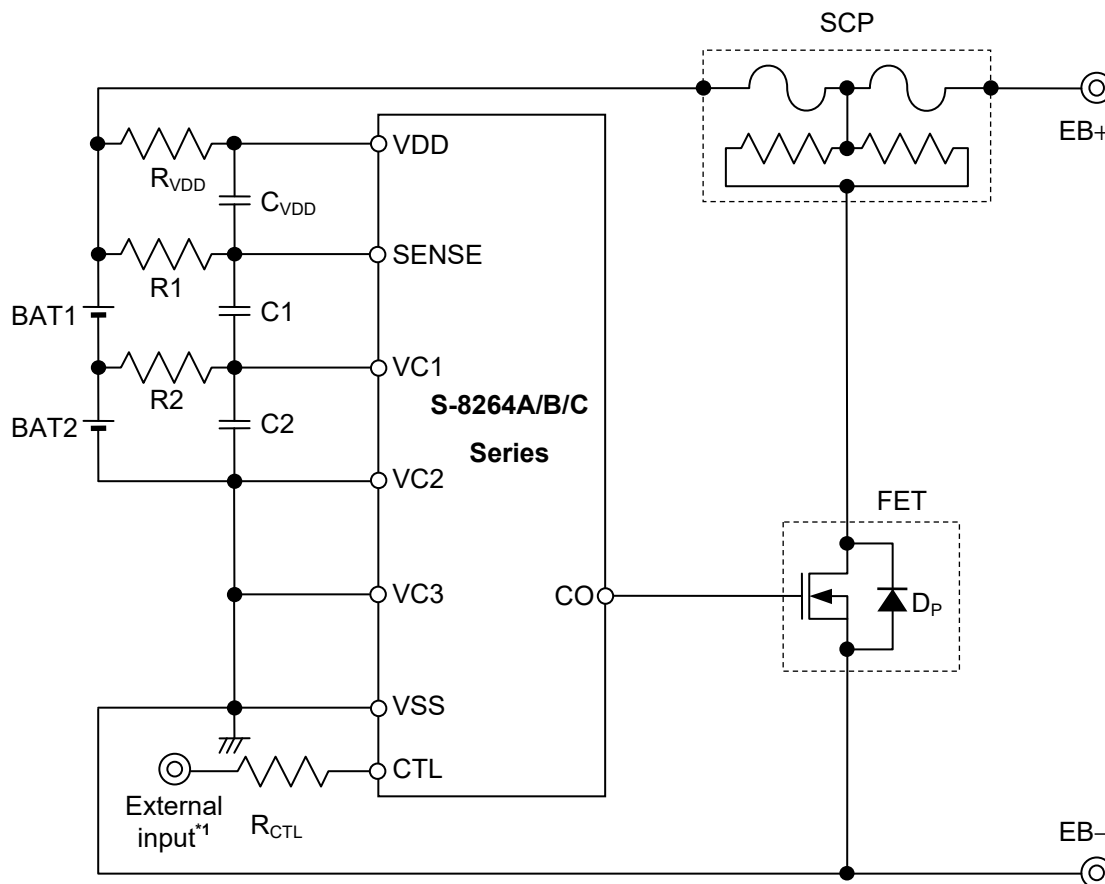


Figure 15

\*1. Refer to Table 14 for setting on external input.

Table 17 Constants for External Components

No.	Part	Min.	Typ.	Max.	Unit
1	R1 and R2	0.1	1	10	kΩ
2	C1 and C2, C <sub>VDD</sub>	0.01	0.1	1	μF
3	R <sub>VDD</sub>	50	100	500	Ω
4	R <sub>CTL</sub>	0	100	500	Ω

- Caution**
1. The constants may be changed without notice.
  2. It has not been confirmed whether the operation is normal or not in circuits other than the connection example. In addition, the connection example and the constants do not guarantee proper operation. Perform thorough evaluation using the actual application to set the constants.
  3. Set the same constants to R1 and R2 and to C1 and C2 and C<sub>VDD</sub>.
  4. Set R<sub>VDD</sub>, C1 and C2, and C<sub>VDD</sub> so that the condition  $(R_{VDD}) \times (C1 \text{ and } C2, C_{VDD}) \geq 5 \times 10^{-6}$  is satisfied.
  5. Set R1 and R2, C1 and C2, and C<sub>VDD</sub> so that the condition  $(R1 \text{ and } R2) \times (C1 \text{ and } C2, C_{VDD}) \geq 1 \times 10^{-4}$  is satisfied.
  6. Since "H" may be output at CO transiently when the battery is being connected, connect the positive terminal of BAT1 last in order to prevent the three terminal protection fuse from cutoff.

## ■ Precautions

- Do not connect batteries charged with  $V_{CU} + V_{HC}$  or higher. If the connected batteries include a battery charged with  $V_{CU} + V_{HC}$  or higher, “H” may be output at CO after all pins are connected.
- In some application circuits, even if an overcharged battery is not included, the order of connecting batteries may be restricted to prevent transient output of CO detection pulses when the batteries are connected. Perform thorough evaluation with the actual application circuit.
- In the S-8264B Series, “H” may be output at CO after all the pins are connected. In this case, set the CTL pin from “L” to “H”.
- Before the battery connection, short-circuit the battery side pins  $R_{VDD}$  and R1, shown in the figure in “■ **Battery Protection IC Connection Example**”.
- The application conditions for the input voltage, output voltage, and load current should not exceed the package power dissipation.
- Do not apply to this IC an electrostatic discharge that exceeds the performance ratings of the built-in electrostatic protection circuit.
- ABLIC Inc. claims no responsibility for any disputes arising out of or in connection with any infringement of patents owned by a third party by products including this IC.

■ **Example of Application Circuit**

1. Overheat Protection via PTC (S-8264A Series)

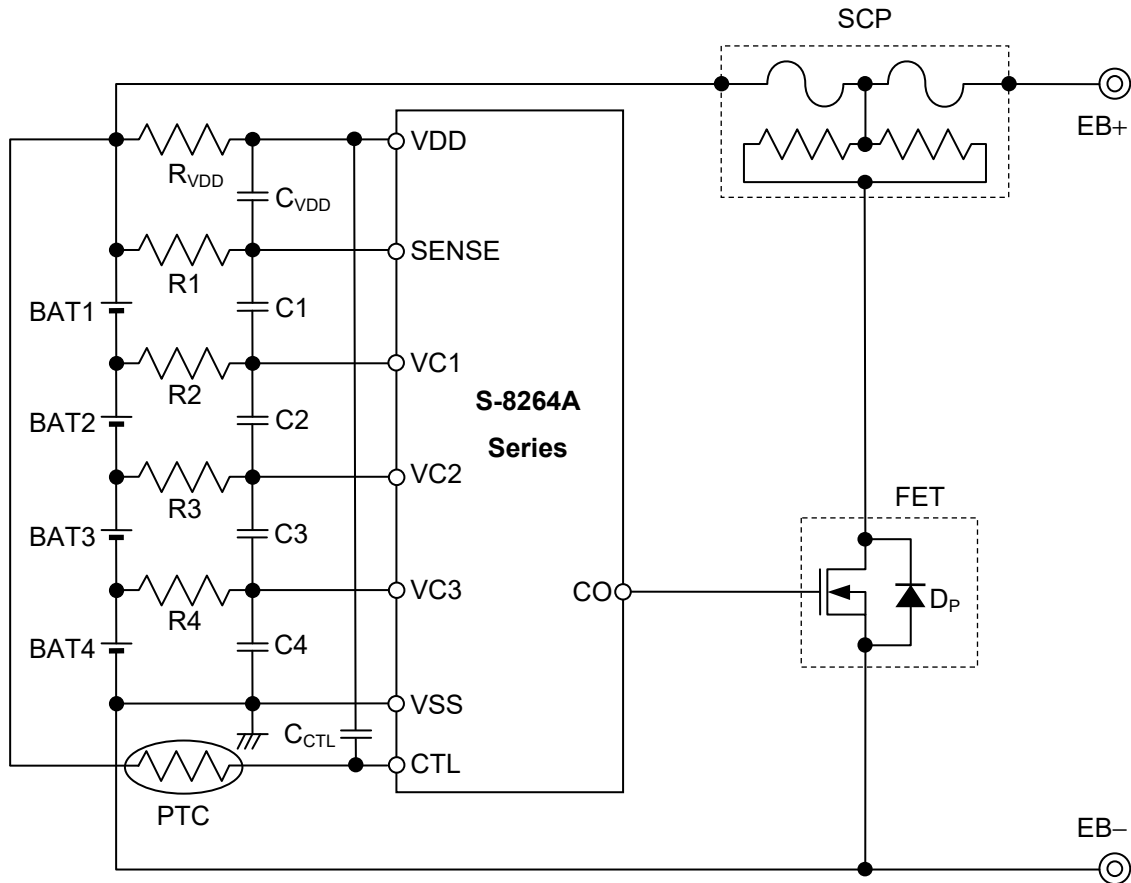


Figure 16

- Cautions**
1. The above connection example will not guarantee successful operation. Perform thorough evaluation using the actual application.
  2. A pull-down resistor is included in the CTL pin. To perform overheat protection via the PTC in the S-8264A Series, connect the PTC before connecting batteries.
  3. When the power fluctuation is large, connect the power supply of the PTC to the VDD pin of the S-8264A Series.
  4. Since “H” may be output at CO transiently when the battery is being connected, connect the positive terminal of BAT1 last in order to prevent the three terminal protection fuse from cutoff.

[For SCP, contact]

Dexerials Corporation  
 Tokyo Office  
 Address: Mitsui Sumitomo Kaijo Tepco Building 9F, 1-6-1 Kyobashi, Chuo-ku, Tokyo 104-0031, Japan  
 Tel: +81-3-3538-1230 (main)  
<https://www.dexerials.jp/en/>

[For PTC, contact]

Murata Manufacturing Co., Ltd.  
 Thermistor Products Department  
 Nagaokakyo-shi, Kyoto, 617-8555, Japan  
 TEL +81-75-955-6863  
 Contact Us: <http://www.murata.com/contact/index.html>

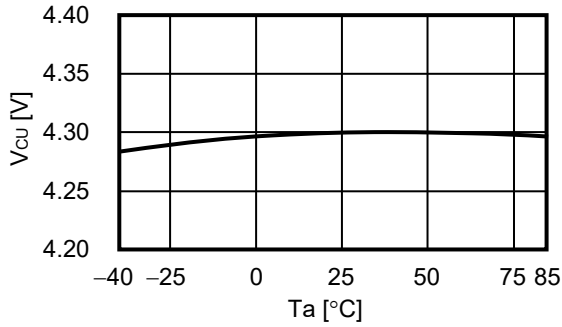


■ Characteristics (Typical Data)

1. Detection Voltage vs. Temperature

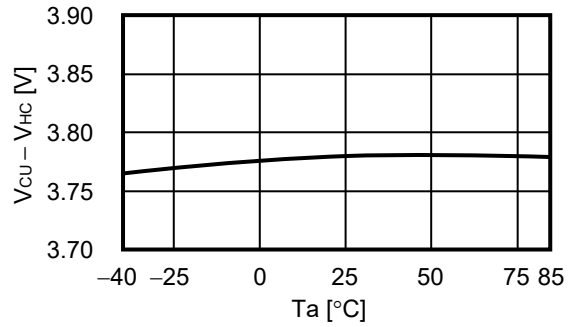
(1) Overcharge Detection Voltage vs. Temperature

$V_{CU} = 4.3 \text{ V}$



(2) Overcharge Release Voltage vs. Temperature

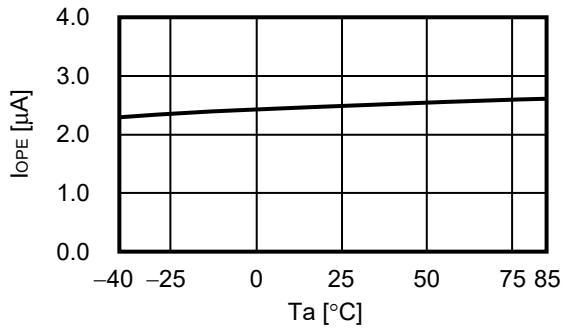
$V_{HC} = 0.52 \text{ V}$



2. Current Consumption vs. Temperature

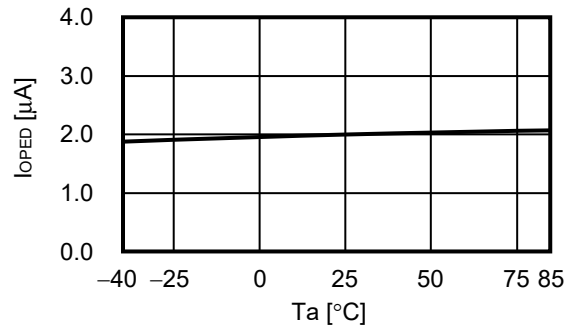
(1) Current Consumption during Normal Operation vs. Temperature

$V_{DD} = 14 \text{ V}$



(2) Current Consumption during Overdischarge vs. Temperature

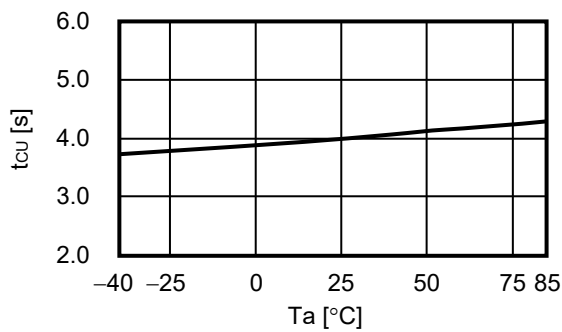
$V_{DD} = 9.2 \text{ V}$



3. Delay Time vs. Temperature

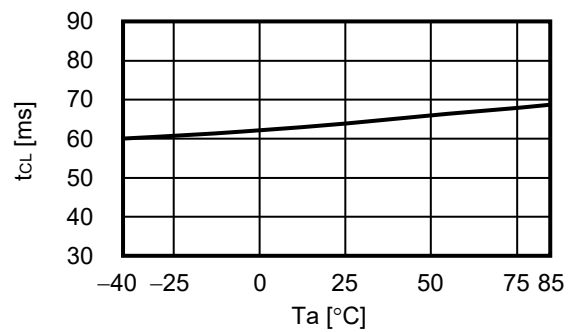
(1) Overcharge Detection Delay Time vs. Temperature

$V_{DD} = 20 \text{ V}$



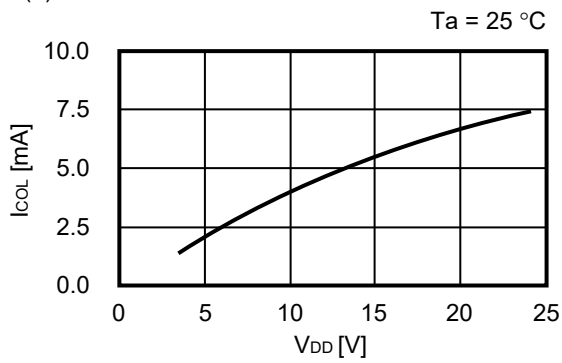
(2) Overcharge Release Delay Time vs. Temperature

$V_{DD} = 14 \text{ V}$

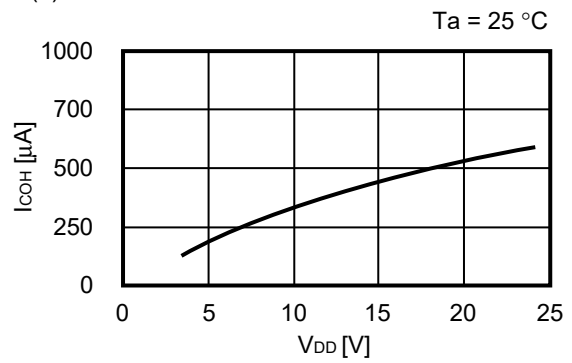


**4. Output Current vs. Temperature**

(1) CO Pin Sink Current vs.  $V_{DD}$

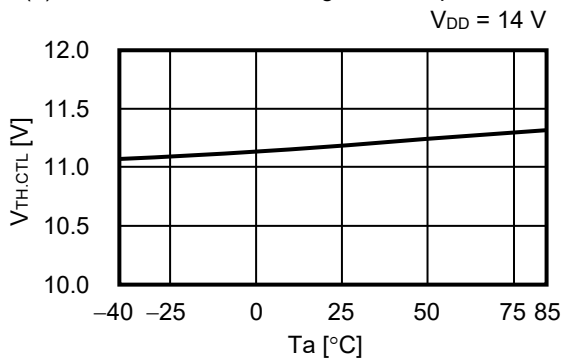


(2) CO Pin Source Current vs.  $V_{DD}$

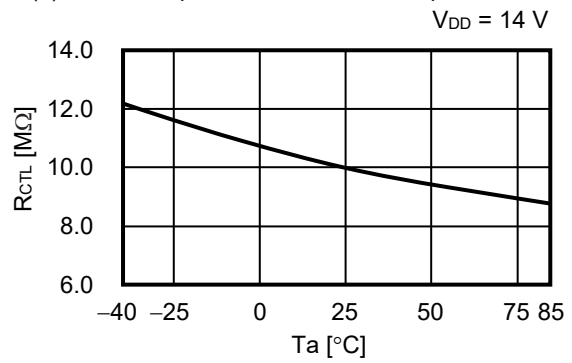


**5. CTL Pin vs. Temperature**

(1) CTL Pin Threshold Voltage vs. Temperature

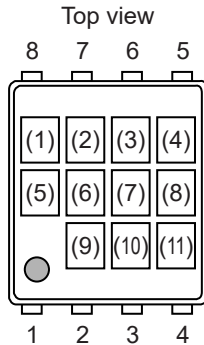


(2) CTL Pin Input Resistance vs. Temperature



■ Marking Specifications

(1) SNT-8A



- (1) Blank
- (2) to (4) Product code (Refer to **Product name vs. Product code**)
- (5), (6) Blank
- (7) to (11) Lot number

Product name vs. Product code

(a) S-8264A Series

Product Name	Product Code		
	(2)	(3)	(4)
S-8264AAA-I8T1U	Q	5	A
S-8264AAB-I8T1U	Q	5	B
S-8264AAC-I8T1U	Q	5	C
S-8264AAD-I8T1U	Q	5	D
S-8264AAE-I8T1U	Q	5	E
S-8264AAF-I8T1U	Q	5	F
S-8264AAG-I8T1U	Q	5	G
S-8264AAH-I8T1U	Q	5	H
S-8264AAI-I8T1U	Q	5	I
S-8264AAJ-I8T1U	Q	5	J
S-8264AAK-I8T1U	Q	5	K
S-8264AAO-I8T1U	Q	5	O
S-8264AAS-I8T1U	Q	5	S
S-8264AAT-I8T1U	Q	5	T
S-8264AAV-I8T1U	Q	5	V
S-8264AAW-I8T1U	Q	5	W
S-8264AAX-I8T1U	Q	5	X

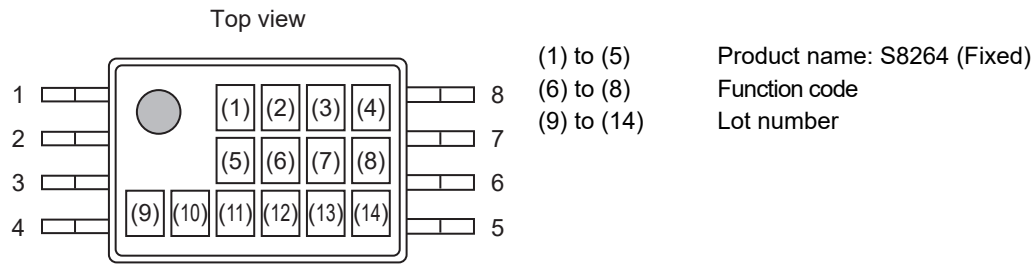
(b) S-8264B Series

Product Name	Product Code		
	(2)	(3)	(4)
S-8264BAA-I8T1U	Q	6	A
S-8264BAB-I8T1U	Q	6	B
S-8264BAC-I8T1U	Q	6	C
S-8264BAD-I8T1U	Q	6	D

(c) S-8264C Series

Product Name	Product Code		
	(2)	(3)	(4)
S-8264CAA-I8T1U	Q	7	A
S-8264CAB-I8T1U	Q	7	B

**(2) 8-Pin TSSOP**



**Product name vs. Product code**

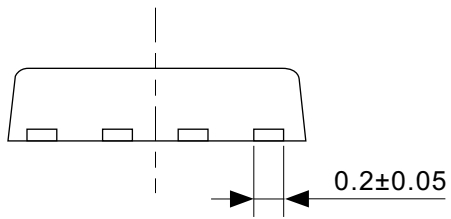
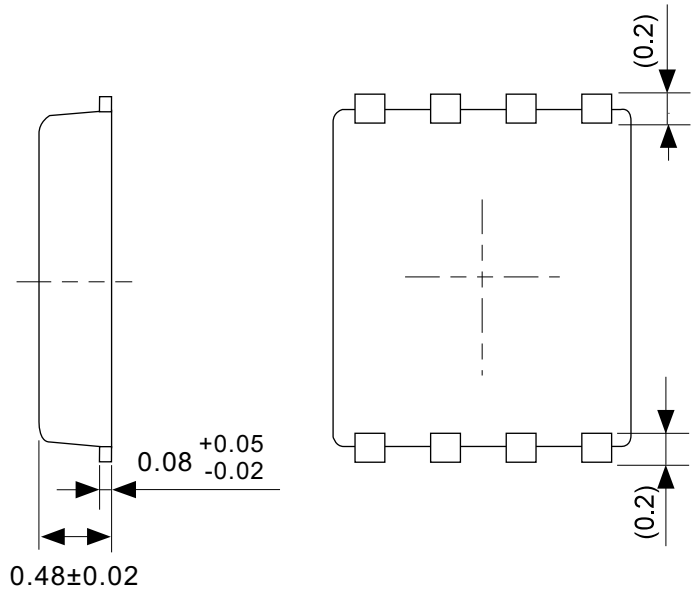
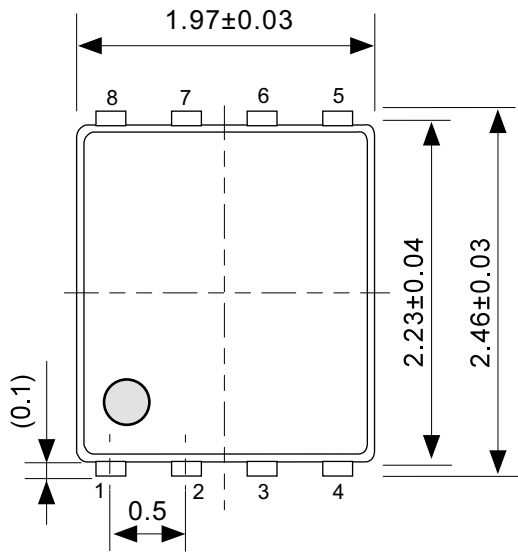
**(a) S-8264A Series**

Product Name	Function code		
	(6)	(7)	(8)
S-8264AAA-T8T1x	A	A	A
S-8264AAB-T8T1x	A	A	B
S-8264AAK-T8T1U	A	A	K

**(b) S-8264B Series**

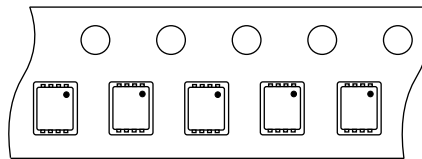
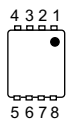
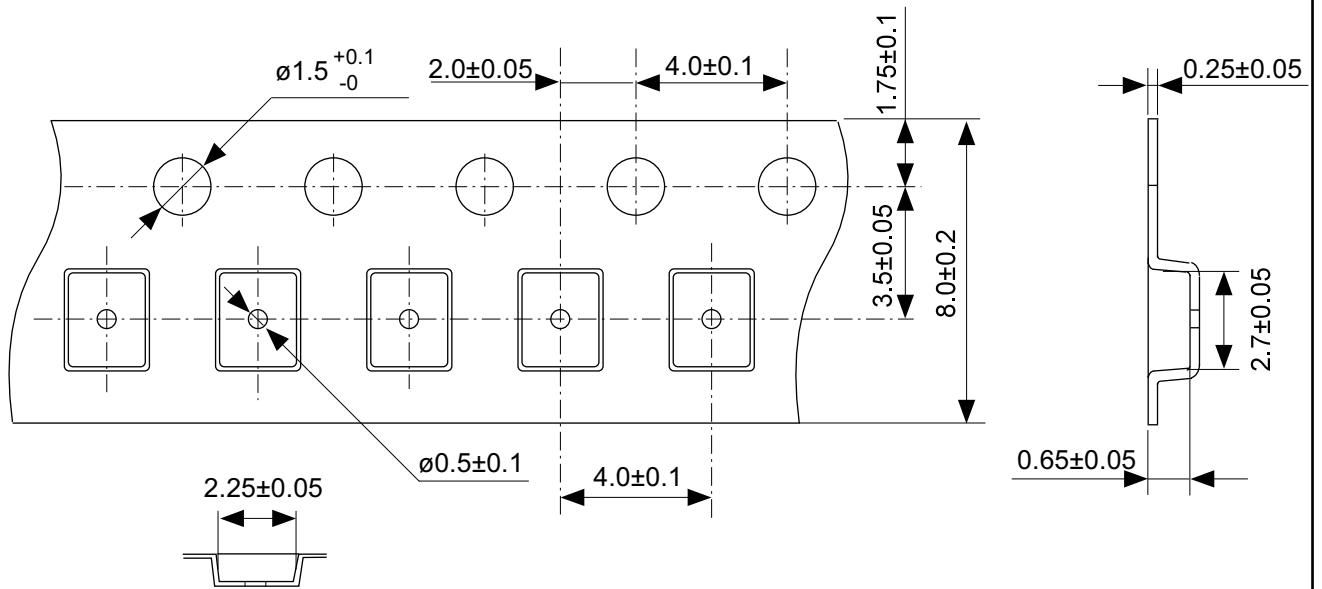
Product Name	Function code		
	(6)	(7)	(8)
S-8264BAB-T8T1x	B	A	B

- Remark**
1. x: G or U
  2. Please select products of environmental code = U for Sn 100%, halogen-free products.



No. PH008-A-P-SD-2.1

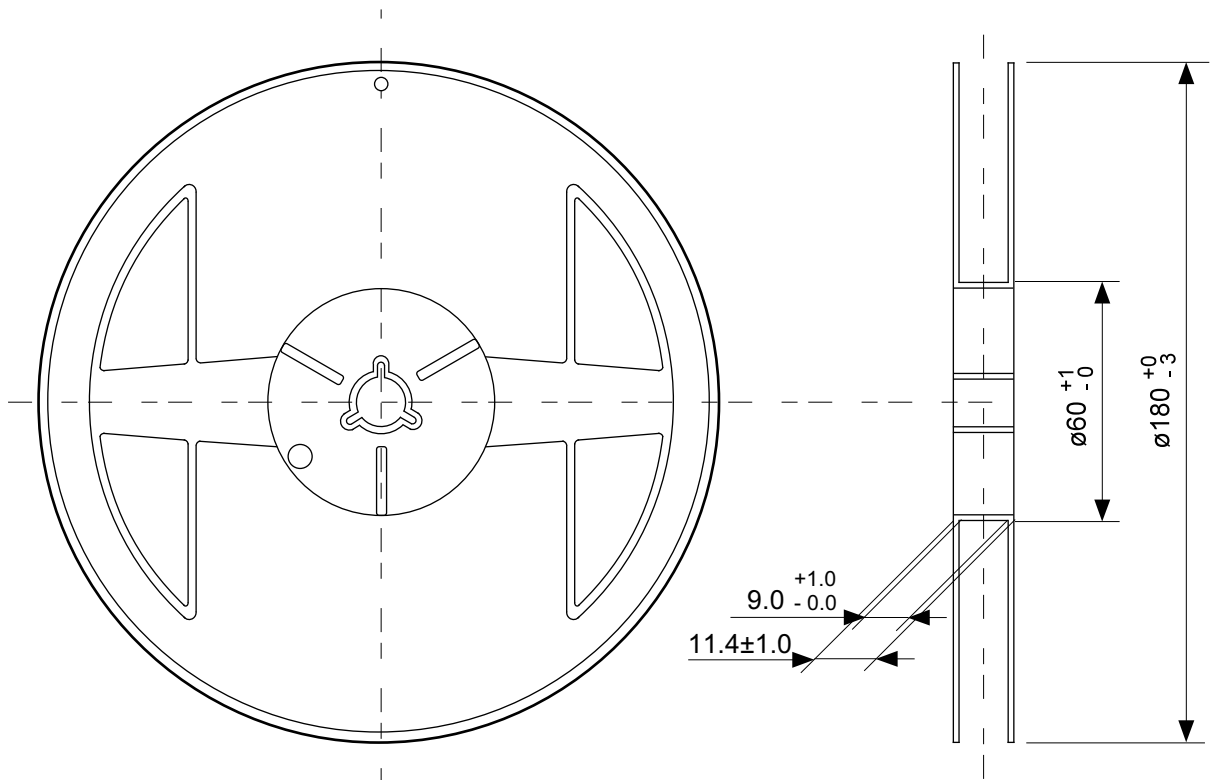
TITLE	SNT-8A-A-PKG Dimensions
No.	PH008-A-P-SD-2.1
ANGLE	
UNIT	mm
<b>ABLIC Inc.</b>	



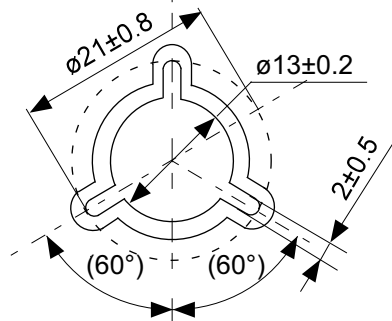
Feed direction

No. PH008-A-C-SD-2.0

TITLE	SNT-8A-A-Carrier Tape
No.	PH008-A-C-SD-2.0
ANGLE	
UNIT	mm
<b>ABLIC Inc.</b>	

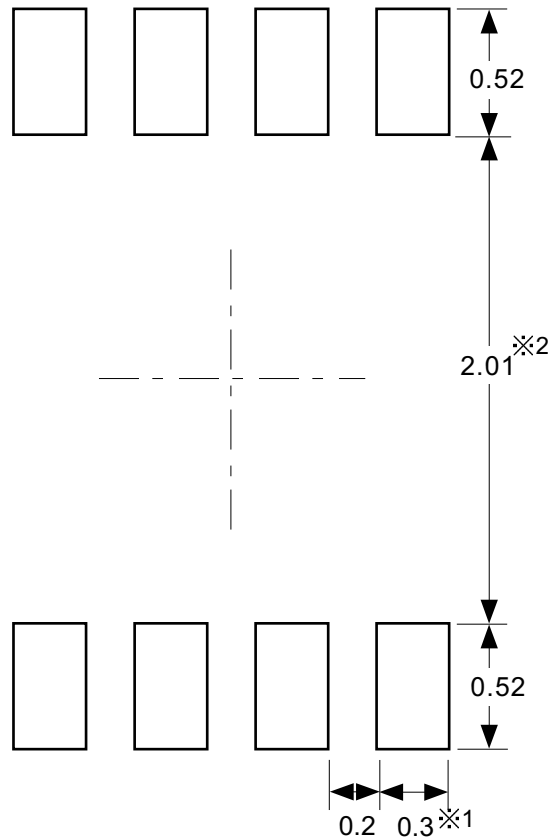


Enlarged drawing in the central part



No. PH008-A-R-SD-2.0

TITLE	SNT-8A-A-Reel		
No.	PH008-A-R-SD-2.0		
ANGLE		QTY.	5,000
UNIT	mm		
<b>ABLIC Inc.</b>			



※1. ランドパターンの幅に注意してください (0.25 mm min. / 0.30 mm typ.).  
 ※2. パッケージ中央にランドパターンを広げないでください (1.96 mm ~ 2.06 mm)。

- 注意
1. パッケージのモールド樹脂下にシルク印刷やハンダ印刷などしないでください。
  2. パッケージ下の配線上のソルダーレジストなどの厚みをランドパターン表面から0.03 mm以下にしてください。
  3. マスク開口サイズと開口位置はランドパターンと合わせてください。
  4. 詳細は“SNTパッケージ活用の手引き”を参照してください。

※1. Pay attention to the land pattern width (0.25 mm min. / 0.30 mm typ.).  
 ※2. Do not widen the land pattern to the center of the package (1.96 mm to 2.06mm).

- Caution**
1. Do not do silkscreen printing and solder printing under the mold resin of the package.
  2. The thickness of the solder resist on the wire pattern under the package should be 0.03 mm or less from the land pattern surface.
  3. Match the mask aperture size and aperture position with the land pattern.
  4. Refer to "SNT Package User's Guide" for details.

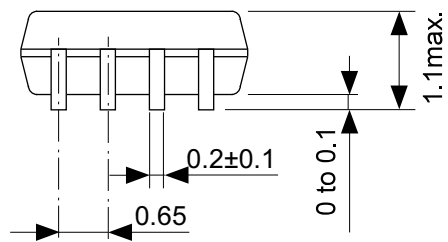
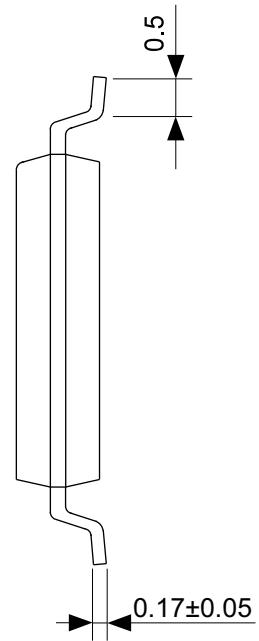
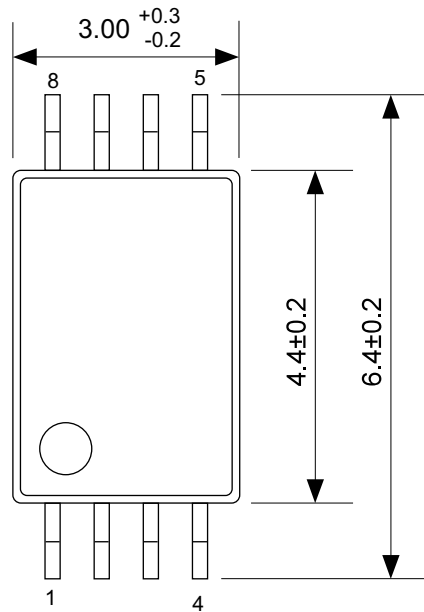
※1. 请注意焊盘模式的宽度 (0.25 mm min. / 0.30 mm typ.).  
 ※2. 请勿向封装中间扩展焊盘模式 (1.96 mm ~ 2.06 mm)。

- 注意
1. 请勿在树脂型封装的下面印刷丝网、焊锡。
  2. 在封装下、布线上的阻焊膜厚度 (从焊盘模式表面起) 请控制在 0.03 mm 以下。
  3. 钢网的开口尺寸和开口位置请与焊盘模式对齐。
  4. 详细内容请参阅 "SNT 封装的应用指南"。

No. PH008-A-L-SD-4.1

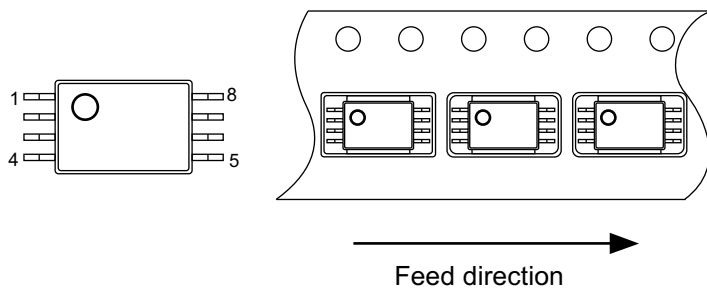
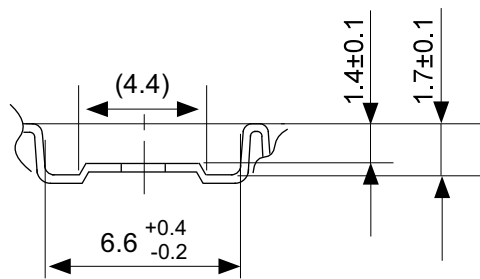
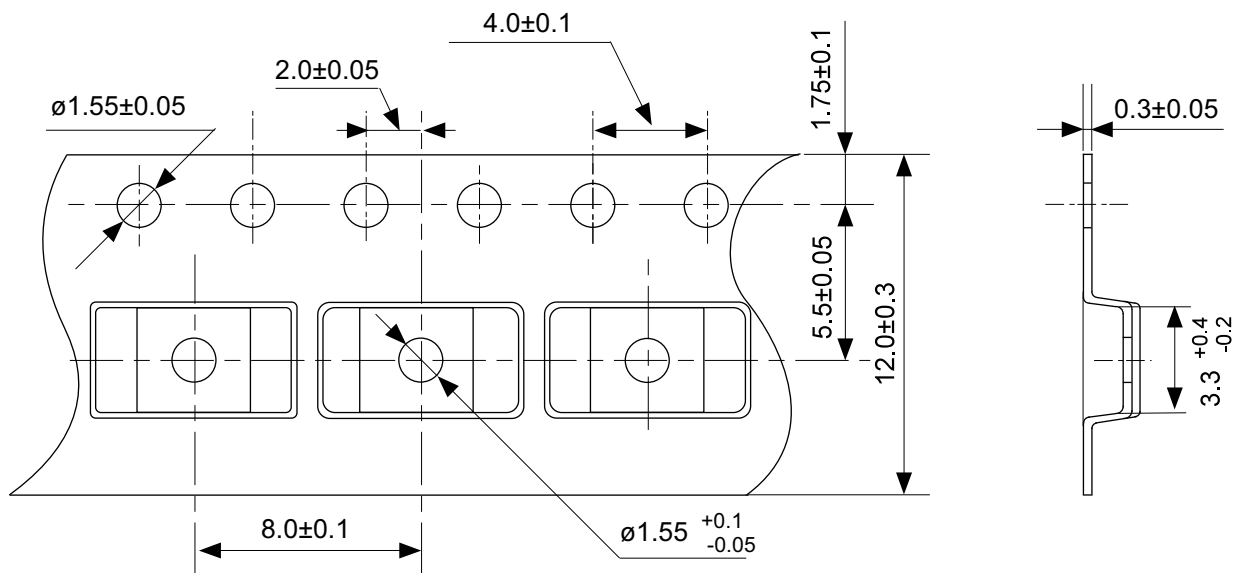
TITLE	SNT-8A-A -Land Recommendation
No.	PH008-A-L-SD-4.1
ANGLE	
UNIT	mm
<b>ABLIC Inc.</b>	





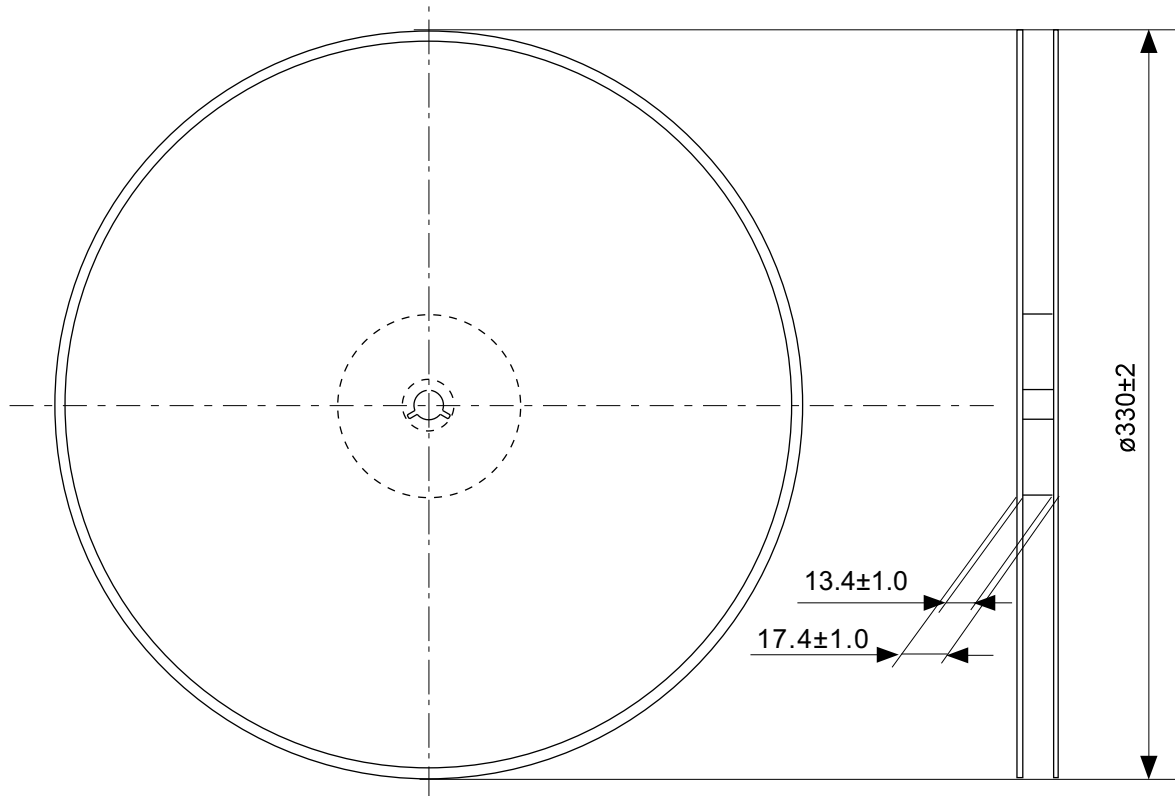
No. FT008-A-P-SD-1.2

TITLE	TSSOP8-E-PKG Dimensions
No.	FT008-A-P-SD-1.2
ANGLE	
UNIT	mm
<b>ABLIC Inc.</b>	

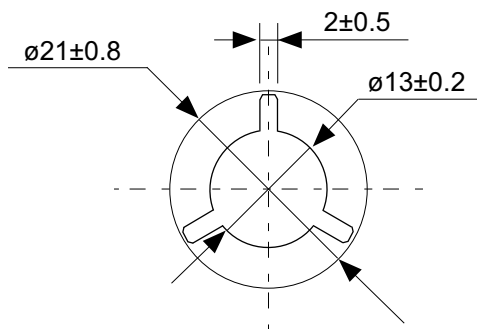


No. FT008-E-C-SD-1.0

TITLE	TSSOP8-E-Carrier Tape
No.	FT008-E-C-SD-1.0
ANGLE	
UNIT	mm
<b>ABLIC Inc.</b>	

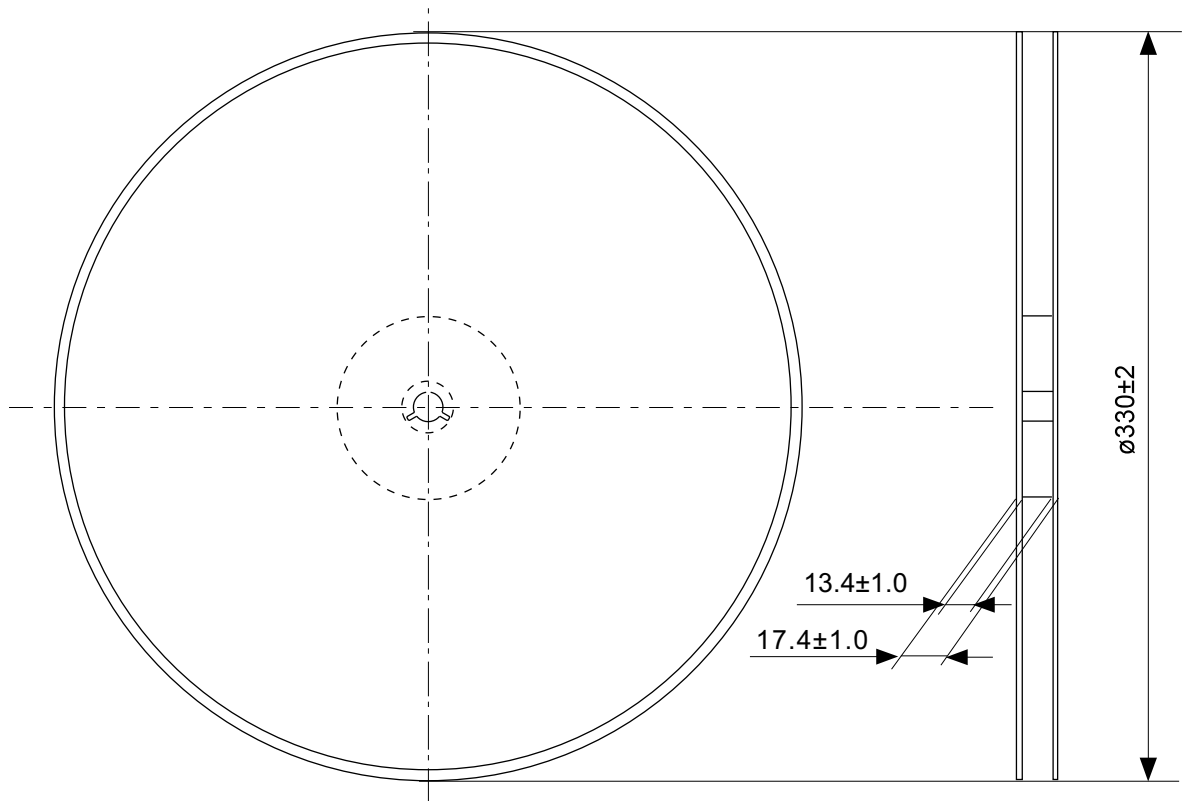


Enlarged drawing in the central part

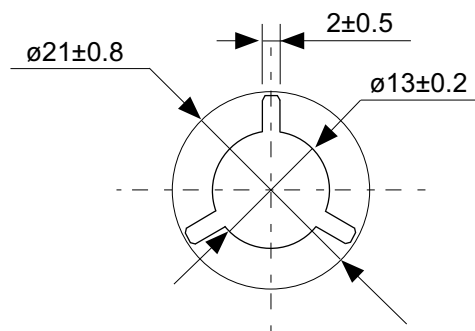


No. FT008-E-R-SD-2.0

TITLE	TSSOP8-E-Reel		
No.	FT008-E-R-SD-2.0		
ANGLE		QTY.	3,000
UNIT	mm		
<b>ABLIC Inc.</b>			



Enlarged drawing in the central part



No. FT008-E-R-S1-2.0

TITLE	TSSOP8-E-Reel		
No.	FT008-E-R-S1-2.0		
ANGLE		QTY.	4,000
UNIT	mm		
<b>ABLIC Inc.</b>			

## Disclaimers (Handling Precautions)

1. All the information described herein (product data, specifications, figures, tables, programs, algorithms and application circuit examples, etc.) is current as of publishing date of this document and is subject to change without notice.
2. The circuit examples and the usages described herein are for reference only, and do not guarantee the success of any specific mass-production design.  
ABLIC Inc. is not liable for any losses, damages, claims or demands caused by the reasons other than the products described herein (hereinafter "the products") or infringement of third-party intellectual property right and any other right due to the use of the information described herein.
3. ABLIC Inc. is not liable for any losses, damages, claims or demands caused by the incorrect information described herein.
4. Be careful to use the products within their ranges described herein. Pay special attention for use to the absolute maximum ratings, operation voltage range and electrical characteristics, etc.  
ABLIC Inc. is not liable for any losses, damages, claims or demands caused by failures and / or accidents, etc. due to the use of the products outside their specified ranges.
5. Before using the products, confirm their applications, and the laws and regulations of the region or country where they are used and verify suitability, safety and other factors for the intended use.
6. When exporting the products, comply with the Foreign Exchange and Foreign Trade Act and all other export-related laws, and follow the required procedures.
7. The products are strictly prohibited from using, providing or exporting for the purposes of the development of weapons of mass destruction or military use. ABLIC Inc. is not liable for any losses, damages, claims or demands caused by any provision or export to the person or entity who intends to develop, manufacture, use or store nuclear, biological or chemical weapons or missiles, or use any other military purposes.
8. The products are not designed to be used as part of any device or equipment that may affect the human body, human life, or assets (such as medical equipment, disaster prevention systems, security systems, combustion control systems, infrastructure control systems, vehicle equipment, traffic systems, in-vehicle equipment, aviation equipment, aerospace equipment, and nuclear-related equipment), excluding when specified for in-vehicle use or other uses by ABLIC, Inc. Do not apply the products to the above listed devices and equipments.  
ABLIC Inc. is not liable for any losses, damages, claims or demands caused by unauthorized or unspecified use of the products.
9. In general, semiconductor products may fail or malfunction with some probability. The user of the products should therefore take responsibility to give thorough consideration to safety design including redundancy, fire spread prevention measures, and malfunction prevention to prevent accidents causing injury or death, fires and social damage, etc. that may ensue from the products' failure or malfunction.  
The entire system in which the products are used must be sufficiently evaluated and judged whether the products are allowed to apply for the system on customer's own responsibility.
10. The products are not designed to be radiation-proof. The necessary radiation measures should be taken in the product design by the customer depending on the intended use.
11. The products do not affect human health under normal use. However, they contain chemical substances and heavy metals and should therefore not be put in the mouth. The fracture surfaces of wafers and chips may be sharp. Be careful when handling these with the bare hands to prevent injuries, etc.
12. When disposing of the products, comply with the laws and ordinances of the country or region where they are used.
13. The information described herein contains copyright information and know-how of ABLIC Inc. The information described herein does not convey any license under any intellectual property rights or any other rights belonging to ABLIC Inc. or a third party. Reproduction or copying of the information from this document or any part of this document described herein for the purpose of disclosing it to a third-party is strictly prohibited without the express permission of ABLIC Inc.
14. For more details on the information described herein or any other questions, please contact ABLIC Inc.'s sales representative.
15. This Disclaimers have been delivered in a text using the Japanese language, which text, despite any translations into the English language and the Chinese language, shall be controlling.

2.4-2019.07