

MATERIALS AND FINISHES

BODY, PIN, JAM NUT: BRASS
PLATED: NICKEL

POST: BRASS
PLATED: BRIGHT TIN

CENTER CONTACT: BeCu
PLATED: GOLD

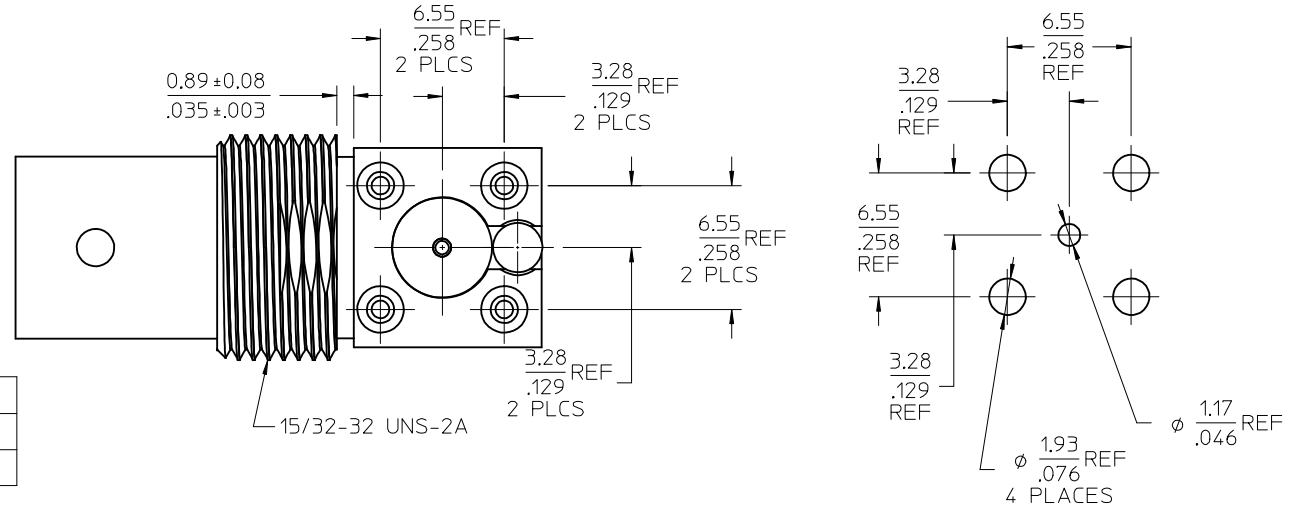
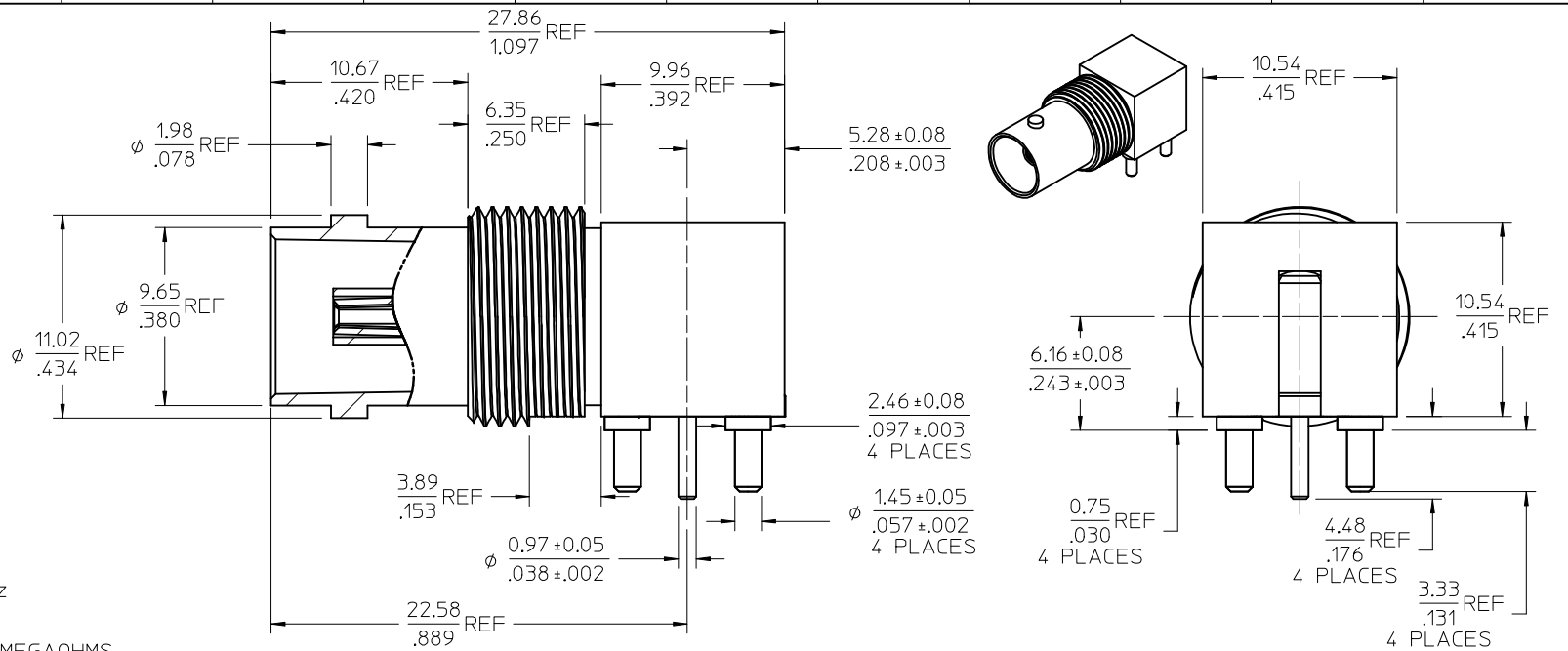
LOCK WASHER: STEEL
PLATED: NICKEL

INSULATOR: TEFLON

ELECTRIC PERFORMANCE

FREQUENCY RANGE: DC - 2 GHz
VOLTAGE RATING: 500 VRMS
INSULATION RESISTANCE: 5000 MEGAOHMS
CONTACT RESISTANCE:

OUTER: 0.2 MILLIOHMS MAX
CENTER: 1.5 MILLIOHMS MAX

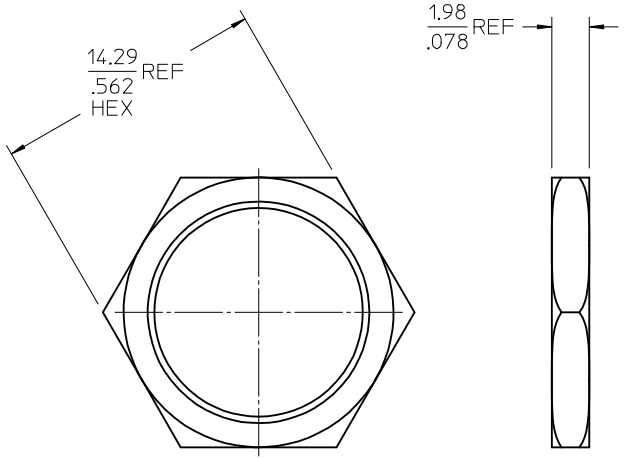


RECOMMENDED PCB LAYOUT

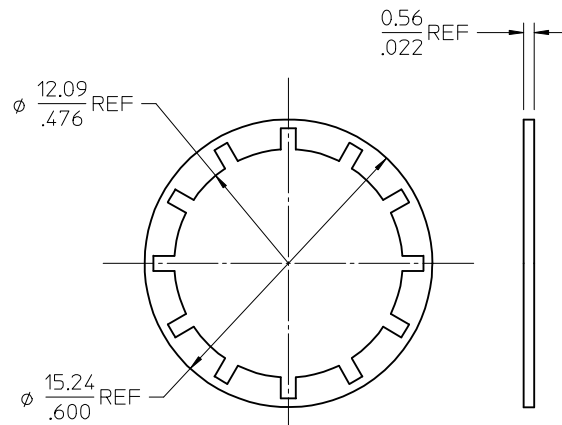
73171-1981	HARDWARE INCLUDED
73171-1980	CONNECTOR ONLY
PART NUMBER	DESCRIPTION

PS-89675-2020	PRODUCT SPECIFICATION
SPECIFICATION	DESCRIPTION

CHG: ADDED -1981 WITH JAM NUT AND LOCK WASHER EC NO: URF2009-0061 DRWN: LEE02 2008/08/06 CHKD: SSS 2008/08/06 APPR: JWIENER 2008/08/06 A3	QUALITY SYMBOLS ▽=0 ▽=0	GENERAL TOLERANCES (UNLESS SPECIFIED) 4 PLACES ± .005 ± .005 3 PLACES ± .005 ± .005 2 PLACES ± .005 ± .005 1 PLACE ± .005 ± .005 ANGULAR ± 2°	DIMENSION STYLE MM/IN DRAWN BY SSS DATE 2003/05/21 CHECKED BY TEF DATE 2003/05/21 APPROVED BY GMH DATE 2003/05/20	SCALE DESIGN UNITS METRIC THIRD ANGLE PROJECTION	TITLE BNC JACK BULKHEAD, R/A PCB 75 OHMS, EWR2022 BNC-J/RA/BK/PCB	MATERIAL NO. SEE TABLE SIZE C	DOCUMENT NO. SD-73171-198 SHEET NO. 1 OF 2
		DRAFT WHERE APPLICABLE MUST REMAIN WITHIN DIMENSIONS		MOLEX INCORPORATED			
		THIS DRAWING CONTAINS INFORMATION THAT IS PROPRIETARY TO MOLEX INCORPORATED AND SHOULD NOT BE USED WITHOUT WRITTEN PERMISSION		MOLEX INCORPORATED			



JAM NUT



LOCK WASHER

CHG: SEE SHEET 1 EC NO: URF2009-0061 DRWN: JLEE02 CHKD: SSS APPR: JWIENER	2008/08/06 2008/08/06 2008/08/06	QUALITY SYMBOLS ▽=0 ▽=0	GENERAL TOLERANCES (UNLESS SPECIFIED)		DIMENSION STYLE MM/IN		SCALE	DESIGN UNITS	THIRD ANGLE PROJECTION	
				mm	INCH	DRAWN BY	DATE	TITLE		
			4 PLACES ± --- ± ---	SSS	2003/05/21	BNC JACK BULKHEAD, R/A PCB 75 OHMS, EWR2022 BNC-J/RA/BK/PCB				
			3 PLACES ± --- ± ---	CHECKED BY	DATE	MOLEX INCORPORATED				
2 PLACES ± --- ± ---	TEF	2003/05/21	APPROVED BY							
1 PLACE ± --- ± ---	GMH	2003/05/20	MATERIAL NO.							
ANGULAR ± 2 °			SEE SHEET 1		DOCUMENT NO.		SHEET NO.			
DRAFT WHERE APPLICABLE MUST REMAIN WITHIN DIMENSIONS			SIZE		THIS DRAWING CONTAINS INFORMATION THAT IS PROPRIETARY TO MOLEX INCORPORATED AND SHOULD NOT BE USED WITHOUT WRITTEN PERMISSION					
A3	REV				SD-73171-198		2 OF 2			