

- 1
- 2
- 3
- 4
- 5
- 6
- 7
- 8
- 9
- 10
- 11
- 12
- 13
- 14
- 15
- 16
- 17
- 18

**KNOB**

Glass-fibre reinforced polyamide based (PA) technopolymer, colour black, matte finish.

**CLOSING CAP**

Glass-fibre reinforced polyamide-based (PA) technopolymer, light grey colour, press-fit assembly.

**THREADED BODY**

AISI 316 stainless steel.

**CLOSING LEVER**

AISI 304 stainless steel.

**SCREW AND LOCKING NUT**

AISI 316 stainless steel.

**IP PROTECTION**

IP 65 protection class, according to IEC 529 (see page A-19).

**FUNCTIONING**

Close the door and move the lever to the closed position by rotating the knob by 90° up to the detent position.

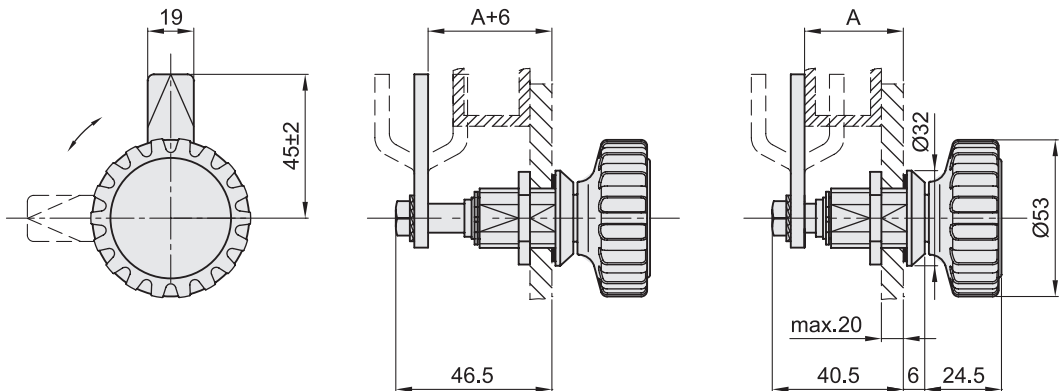
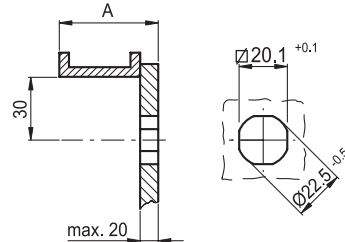
By a further turn of the knob, an internal device with cam and spring axially moves the lever (6 mm stroke) until it reaches the locking position. This device is suitable in case of vibrations or sealing washers.

These latches ensure a clamping range from 19 to 41 mm.



Clamping range

Drilling template



Distance of the closing lever after the rotation of 90° (clockwise).

Distance of the closing lever after the rotation of 180° (locking position).

| Code  | Description   | A  | △   |
|-------|---------------|----|-----|
| 37991 | MDA-LS-SST-19 | 19 | 160 |
| 37992 | MDA-LS-SST-23 | 23 | 160 |
| 37993 | MDA-LS-SST-27 | 27 | 160 |
| 37994 | MDA-LS-SST-31 | 31 | 160 |
| 37995 | MDA-LS-SST-33 | 33 | 160 |
| 37996 | MDA-LS-SST-35 | 35 | 160 |
| 37997 | MDA-LS-SST-37 | 37 | 160 |
| 37998 | MDA-LS-SST-39 | 39 | 160 |
| 37999 | MDA-LS-SST-41 | 41 | 160 |