

CTCDRH2D18F Series

From 2.2 μH to 47 μH



CHARACTERISTICS

Description: SMD (shielded) power inductor.

Applications: Power supplies for VTR, OA equipment, LCD televisions, PC notebooks, portable communication equipment, DC/DC converters, etc.

Operating Temperature: -30°C to +100°C

Rated DC Current: The rated D.C. current indicates the value of current when the inductance is 65% more than its nominal value and temperature rising $\Delta T=40^\circ\text{C}$ lower at D.C. superposition.

Inductance Tolerance: $\pm 30\%$

Testing: Tested on a HP4285A at 100KHz, 0.25Vrms, 0Adc.

Packaging: Tape & Reel.

Marking: Parts are marked with inductance code or letter identifier.

Miscellaneous: RoHS Compliant.

Additional Information: Additional electrical & physical information available upon request.

Samples available. See website for ordering information.

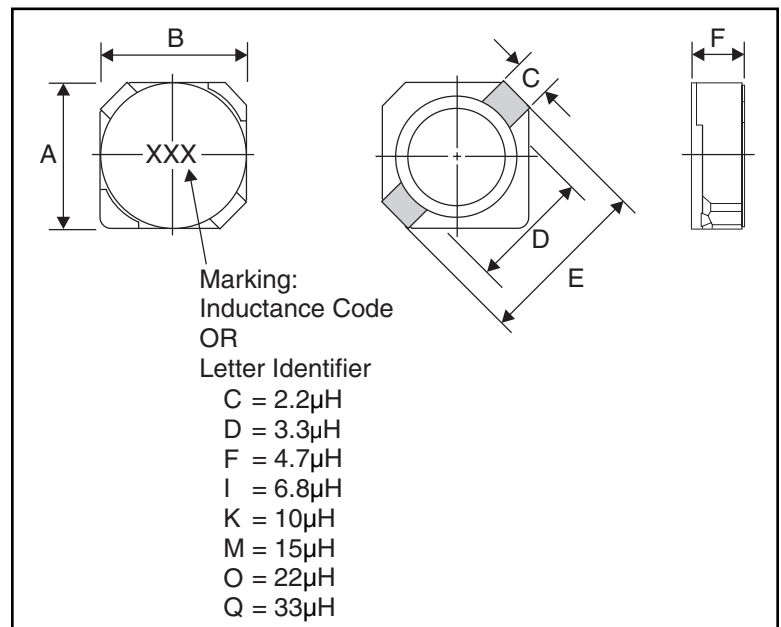
SPECIFICATIONS

Parts are available in $\pm 30\%$ tolerance only.

Part Number	Inductance (μH)	L Test Freq. (KHz)	DCR Max. (m Ω)	Rated DC Current (mA)
CTCDRH2D18F-2R2N	2.2	100	43	850
CTCDRH2D18F-3R3N	3.3	100	60	770
CTCDRH2D18F-4R7N	4.7	100	81	630
CTCDRH2D18F-6R8N	6.8	100	108	570
CTCDRH2D18F-100N	10	100	201	450
CTCDRH2D18F-150N	15	100	227	350
CTCDRH2D18F-220N	22	100	331	300
CTCDRH2D18F-330N	33	100	481	230
CTCDRH2D18F-470N	47	100	660	200

PHYSICAL DIMENSIONS

Size	A	B	C	D	E	F Max.
mm	3.2	3.2	1.0	2.1	3.5	2.0
inches	0.126	0.126	0.04	0.08	0.14	0.078



PAD LAYOUT

