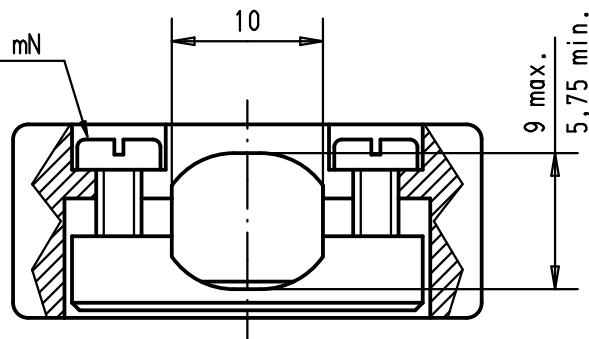


Slotted pan head tapping screws  
DIN 7971-ST 2,9x6,5-F  
screwing torque=35Ncm +/-5Ncm

Slotted pan head tapping screws  
DIN 7971-ST 2,2x9,5-F  
Maximum screwing torque=0,25 mN



					Dat.		Name		<p>All Dim. in mm Orig. Size DIN A 4</p>	<p>D-Sub, Hood 09 poles, for spring or slide locking, top cable entry</p>	Maßstab/ Scale	
					Detail.	28-MAR-02	CV				2:1	
					Insp.	25-MAY-11	JMDV					
					Stand.							
					EC03223	25-MAY-11	SD			<p>TB 09 67 009 041x</p>	<p>Blatt/ Page 1 / 1</p>	
					09 67 009 0413	Thermoplastic metallized		36260				
					09 67 009 0411	Thermoplastic grey RAL 7032		29760				
					Part number	Material		Mod.	Dat.	Name	<p>HARTING EURL F-95972 Paris</p>	