

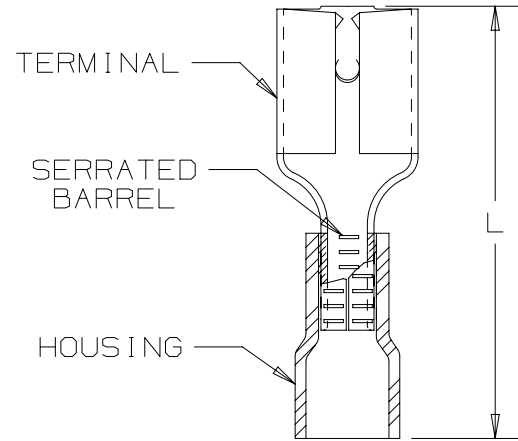
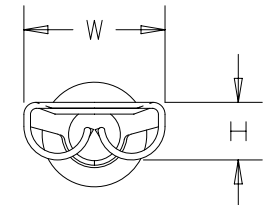
THIS COPY IS PROVIDED ON A RESTRICTED BASIS AND IS NOT TO BE USED IN ANY WAY DETRIMENTAL TO THE INTERESTS OF PANDUIT CORP.

PANDUIT PART #	WIRE RANGE AWG [mm ²]	TAB SIZE INCH [mm]	HOUSING COLOR	MAX WIRE INSULATION DIA.	DIMENSIONS in. [mm]		
					L± .03 [0,8]	W± .01 [0,3]	H± .01 [0,3]
EDV18-250B	#22-18 [0,5-1,0]	.250 X .032 [6,3 X 0,8]	RED	.150 [3,8]	.81 [20,6]	.29 [7,4]	.12 [3,0]
EDV14-250B*	#16-14 [1,5-2,5]	.250 X .032 [6,3 X 0,8]	BLUE	.170 [4,3]	.81 [20,6]	.29 [7,4]	.12 [3,0]

*UL RECOGNIZED ONLY

NOTES:

- UL LISTED AND CSA CERTIFIED FOR:
 - STRANDED COPPER WIRE ONLY
 - 221°F (105°C) MAX TEMP RATING
 - 600V MAX VOLTAGE
- MATERIAL:
 - STAMPING: .016" (0.41) THK BRASS, TIN PLATED
 - HOUSING: VINYL
- INSTALLATION TOOLS:
 - UL LISTED AND CSA CERTIFIED: CT-520, CT-1525
 - UL RECOGNIZED: CT-520, CT-1525
- WIRE STRIP LENGTH 1/4" ^{+1/32} ₋₀ [6.3mm ^{+0.8} ₋₀]
- FIRST INSERTION FORCE: 12 LB (53N) MAX
 FIRST WITHDRAWAL FORCE: 12 LB (53N) MAX
 6 LB (27N) MIN
- SEE WWW.PANDUIT.COM FOR PACKAGE QUANTITIES INDICATED BY PART NUMBER SUFFIX
- DIMENSIONS IN BRACKETS ARE METRIC EQUIVALENT



MAX. WIRE INSUL. DIA.

TITLE STRONGHOLD FEMALE DISCONNECT (250 SERIES) VINYL INSULATED, BUTTED SEAM #22-14 AWG CUSTOMER DRAWING	
ITEM REVISION NAME	00123SHJ/00
DATASET FILE NAME	00123SHJ/00
UNLESS OTHERWISE SPECIFIED, DIMENSIONAL TOLERANCES ARE: IN [mm] .x ± .1 [2.54] .xxx ± .005 [.127] .xx ± .01 [.25] ANGLES ± 5 °	MATERIAL: SEE NOTES
THIRD ANGLE PROJECTION	DRAWING NUMBER: SH41307
DRAWN BY: JHNU DATE: 2/18 CHK: TMR SCALE: NTS	SHT 1 OF 1 SIZE: A

00	2/18	JHNU	TMR	RGB	RELEASED	00123SH
REV	DATE	BY	CHK	APR	DESCRIPTION	ECN

D10100DA/20