

QUICK START GUIDE FOR DEMONSTRATION CIRCUIT 844D

1.9GHZ DIRECT CONVERSION QUADRATURE DEMODULATOR

LT5515

DESCRIPTION

Demonstration circuit 844D is a 1.9GHz Direct Conversion Quadrature Demodulator featuring the LT5515. The LT[®]5515 is a 1.5GHz to 2.5GHz direct conversion quadrature demodulator optimized for high linearity receiver applications including PA linearization. It is suitable for communications receivers where an RF signal is directly converted into I and Q baseband signals with bandwidth up to 260MHz. The LT5515 incorporates balanced I and Q mixers, LO buffer amplifiers and a precision, high frequency quadrature generator.

In an RF receiver, the high linearity of the LT5515 provides excellent spur-free dynamic range. This direct conversion receiver can eliminate the need for

intermediate frequency (IF) signal processing, as well as the corresponding requirements for image filtering and IF filtering. Channel filtering can be performed directly at the outputs of the I and Q channels. These outputs can interface directly to channel-select filters (LPFs) or to a baseband amplifier.

Demonstration circuit 844D is designed for operations in the frequency range between 1.7GHz and 2.2GHz and is optimized for the 1900MHz PCS band.

Design files for this circuit board are available. Call the LTC factory.


 , LTC and LT are registered trademarks of Linear Technology Corporation.

Table 1. Typical Performance Summary (T_A = 25°C)

PARAMETER	CONDITION (f _{RF} = 1900MHz, f _{LO} = 1901MHz)	VALUE
Supply Voltage		4V to 5.25V
Supply Current	V _{CC} = 5V, EN = High	125mA
Maximum Shutdown Current	V _{CC} = 5V, EN = Low	20μA
Frequency Range		1.5GHz to 2.5GHz
LO Input Power		-10dBm to 0dBm
Conversion Gain	Voltage Gain, Load Impedance = 1kΩ, P _{RF} = -10dBm, P _{LO} = -5dBm	-0.7dB
Noise Figure	P _{LO} = -5dBm	16.8dB
Input 3 rd Order Intercept	2-Tone, -10dBm/Tone, Δf = 200kHz, P _{LO} = -5dBm	20dBm
Input 2 nd Order Intercept	2-Tone, -10dBm/Tone, Δf = 200kHz, P _{LO} = -5dBm	51dBm
Input 1dB Compression	P _{LO} = -5dBm	9dBm
Baseband Bandwidth		260MHz
I/Q Gain Mismatch	P _{RF} = -5dBm, P _{LO} = -5dBm, output frequency = 1MHz	0.3dB
I/Q Phase Mismatch	P _{RF} = -5dBm, P _{LO} = -5dBm, output frequency = 1MHz	1°
Output Impedance	Differential	120Ω
LO to RF leakage	P _{LO} = -5dBm	-46dBm
RF to LO Isolation	P _{RF} = -10dBm	46dB

QUICK START GUIDE FOR DEMONSTRATION CIRCUIT 844D

1.9GHZ DIRECT CONVERSION QUADRATURE DEMODULATOR

APPLICATION NOTE

FREQUENCY RANGE

Demonstration circuit 844D is optimized for the frequency range from 1.7GHz to 2.2GHz, particularly for the 1900MHz PCS band. This frequency range is limited by the bandwidth of the RF and LO transformers on the PCB. Outside this range, appropriate external RF and LO matching transformers designed for the intended frequency are required to maintain best performance.

CURRENT CONSUMPTION

If lower power consumption is required, the LT5515's supply current can be reduced by increasing the DC

return resistor, R1. However, lowering supply current will degrade linearity.

OUTPUT FILTERING

Proper filtering of unwanted high frequency mixing products at the I- and Q- outputs is important to maintain superior linearity. The most convenient method is to terminate each output with a shunt capacitor to ground. The capacitor value should be optimized depending upon the operating frequency. However, the capacitors may reduce baseband output bandwidth. The standard demonstration circuit 844D has provisions for termination capacitors at BB outputs.

QUICK START PROCEDURE

Demonstration circuit 844D is easy to set up to evaluate the performance of the LT5515. Refer to Figure 1 for proper measurement equipment setup and follow the procedure below:

NOTE:

- a. Use high performance signal generators with low harmonic output for 2-tone measurements. Otherwise, low-pass filters at the signal generator outputs should be used to suppress higher-order harmonics.
 - b. High quality combiners that provide 50-ohm termination on all ports and have good port-to-port isolation should be used. Attenuators on the outputs of the signal generators are recommended to further improve source isolation and to reduce reflection into the sources.
1. Connect all test equipment as shown in Figure 1.
 2. Set the DC power supply's current limit to 170mA, and adjust output voltage to 5V.
 3. Connect Vcc to the 5V DC supply, and then connect EN to 5V; the demodulator is enabled (on).
 4. Set Signal Generator #1 to provide a 1901MHz, -5dBm, CW signal to the demo circuit LO input port.
 5. Set the Signal Generators #2 and #3 to provide two -10dBm CW signals to the demo circuit RF input port—one at 1899.9MHz, and the other at 1900.1MHz.
 6. Set the Spectrum Analyzer's start frequency to 100kHz and stop frequency to 1400kHz. Perform input 2nd order and 3rd order distortion measurement. Sufficient spectrum analyzer input attenuation should be used to avoid saturating the instrument.
 7. $IIP2 = P1 - P2 + Pin$, $IIP3 = (P1 - P3) / 2 + Pin$. Where P1 is the lowest power level of the two fundamental output tones at either 900kHz or 1100kHz, P2 is the 2nd order product at 200kHz, P3 is the largest 3rd order product at either 700kHz or 1300kHz, and Pin is the input power (in this case, -10dBm). All units are in dBm.
 8. Voltage conversion gain can also be measured. But beware that the gain is reduced by combiner loss plus 6.85dB, because the load impedance to each output pin is 50Ω in this setup. Please refer to the LT5515 data sheet for more detailed explanation.

QUICK START GUIDE FOR DEMONSTRATION CIRCUIT 844D

1.9GHZ DIRECT CONVERSION QUADRATURE DEMODULATOR

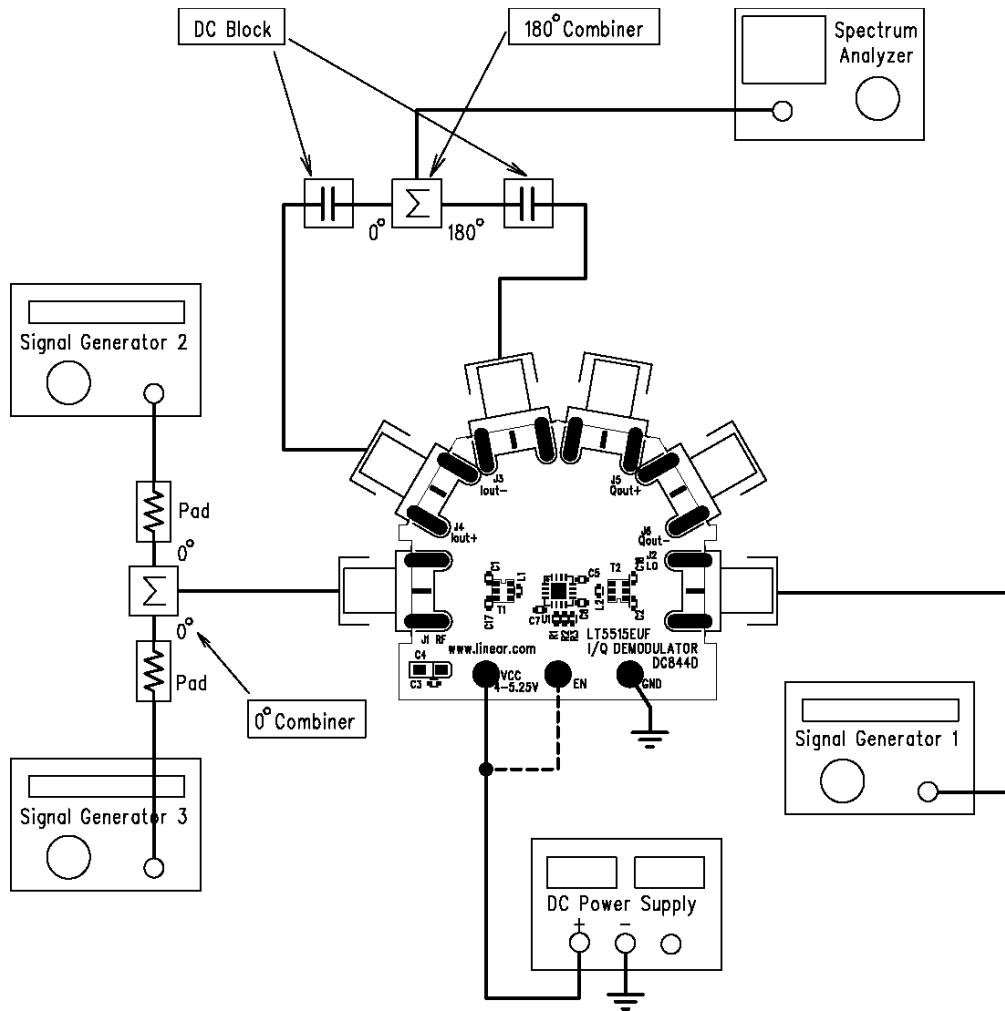
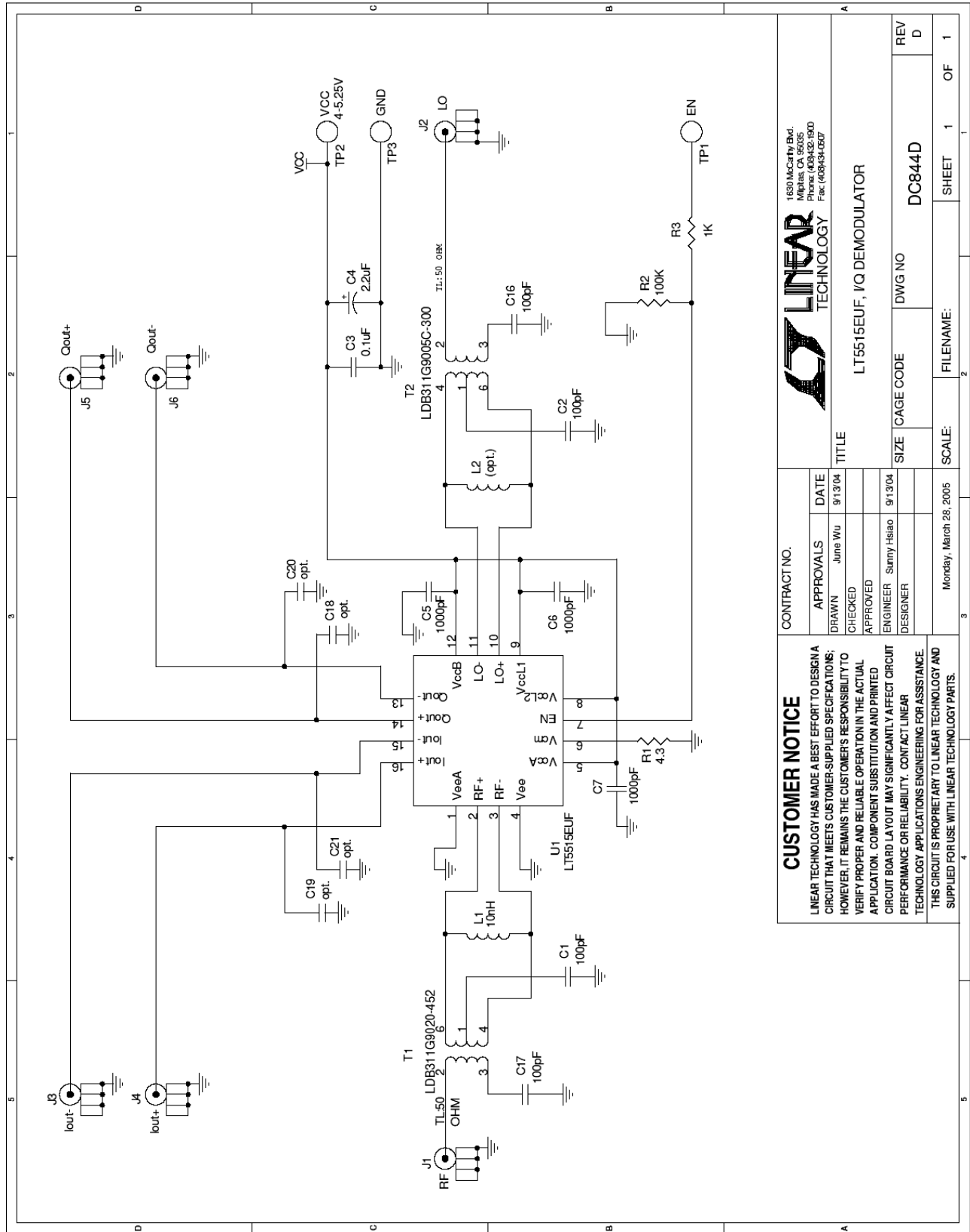


Figure 1. Proper Measurement Equipment Setup

QUICK START GUIDE FOR DEMONSTRATION CIRCUIT 844D

1.9GHZ DIRECT CONVERSION QUADRATURE DEMODULATOR



CUSTOMER NOTICE

LINEAR TECHNOLOGY HAS MADE A BEST EFFORT TO DESIGN A CIRCUIT THAT MEETS CUSTOMER-SUPPLIED SPECIFICATIONS; HOWEVER, IT REMAINS THE CUSTOMER'S RESPONSIBILITY TO VERIFY PROPER AND RELIABLE OPERATION IN THE ACTUAL APPLICATION. COMPONENT SUBSTITUTION AND PRINTED CIRCUIT BOARD LAYOUT MAY SIGNIFICANTLY AFFECT CIRCUIT PERFORMANCE OR RELIABILITY. CONTACT LINEAR TECHNOLOGY APPLICATIONS ENGINEERING FOR ASSISTANCE. THIS CIRCUIT IS PROPRIETARY TO LINEAR TECHNOLOGY AND SUPPLIED FOR USE WITH LINEAR TECHNOLOGY PARTS.

CONTRACT NO.		APPROVALS	DATE
DRAWN	June Wu		9/13/04
CHECKED			
APPROVED			
ENGINEER	Sunny Hsiao		9/13/04
DESIGNER			
Monday, March 28, 2005			

		1630 McCarthy Blvd. Milpitas, CA 95035 Phone: (408)432-1940 Fax: (408)434-0507	
		TITLE LT5515EUF, IQ DEMODULATOR	
SIZE	CAGE CODE	DWG NO	REV
		DC844D	D
SCALE:	FILENAME:	SHEET	OF
		1	1