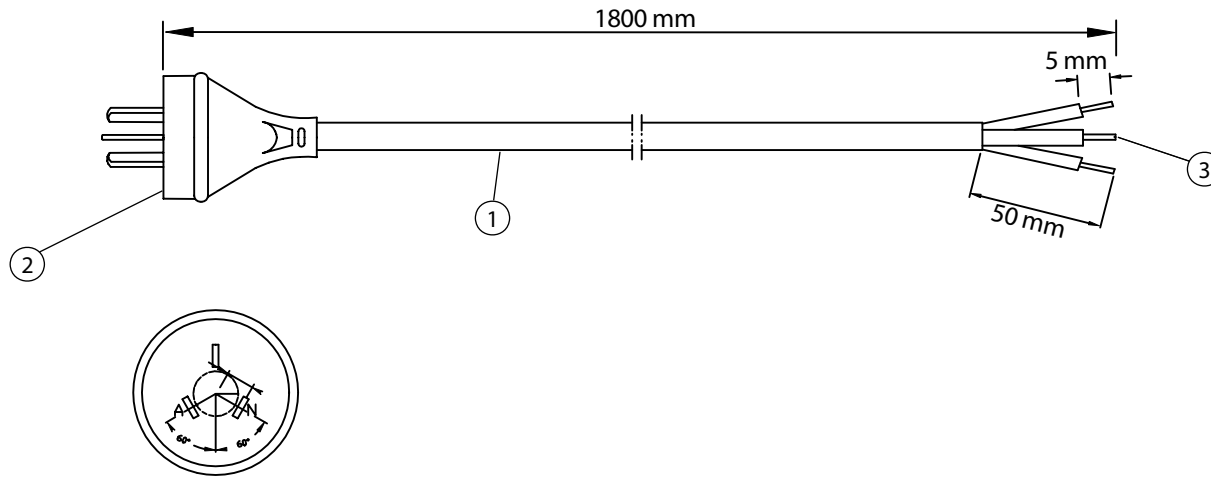


THESE DRAWINGS ARE THE PROPERTY OF QUALTEK ELECTRONICS AND NOT TO BE REPRODUCED FOR OR COMMUNICATED TO A THIRD PARTY WITHOUT THE EXPRESS WRITTEN PERMISSION OF AN OFFICER OF QUALTEK ELECTRONICS.

REVISION			
REV.	DESCRIPTION	DATE	APPROVED



**CONTROLLED**

NOTES:

1. CORDAGE: H05VV-F, 3 X 1.0, UNSHIELDED, CEE COLOR CODE, TEMP. RATING 70°C, RATING: 250V 10A, JACKET COLOR: BLACK
2. PLUG: AS3112/AUSTRALIAN
3. OTHER END: ROJ 50 mm, STRIP 5 mm
4. APPROVALS: AUSTRALIA, NEW ZEALAND
5. ROHS COMPLIANT

Dim range (mm)		Tolerance +/- (mm)		<b>Qualtek Electronics Corp.</b> PPC DIVISION		
0-1		0.15		Part Number: <b>373008-01</b> <span style="border: 1px solid green; padding: 2px;">RoHS Compliant</span>		
1-6		0.20		Description: <b>POWER CORD</b>		
6-18		0.30		UNIT: mm		
18-50		0.50		Drawn / Date      Checked / Date      Approved / Date		
50-120		0.70		R. Nuti      09-04-07      JJH / 09-04-07		
120-250		0.90		09-04-07		
250-500		1.20		09-04-07		