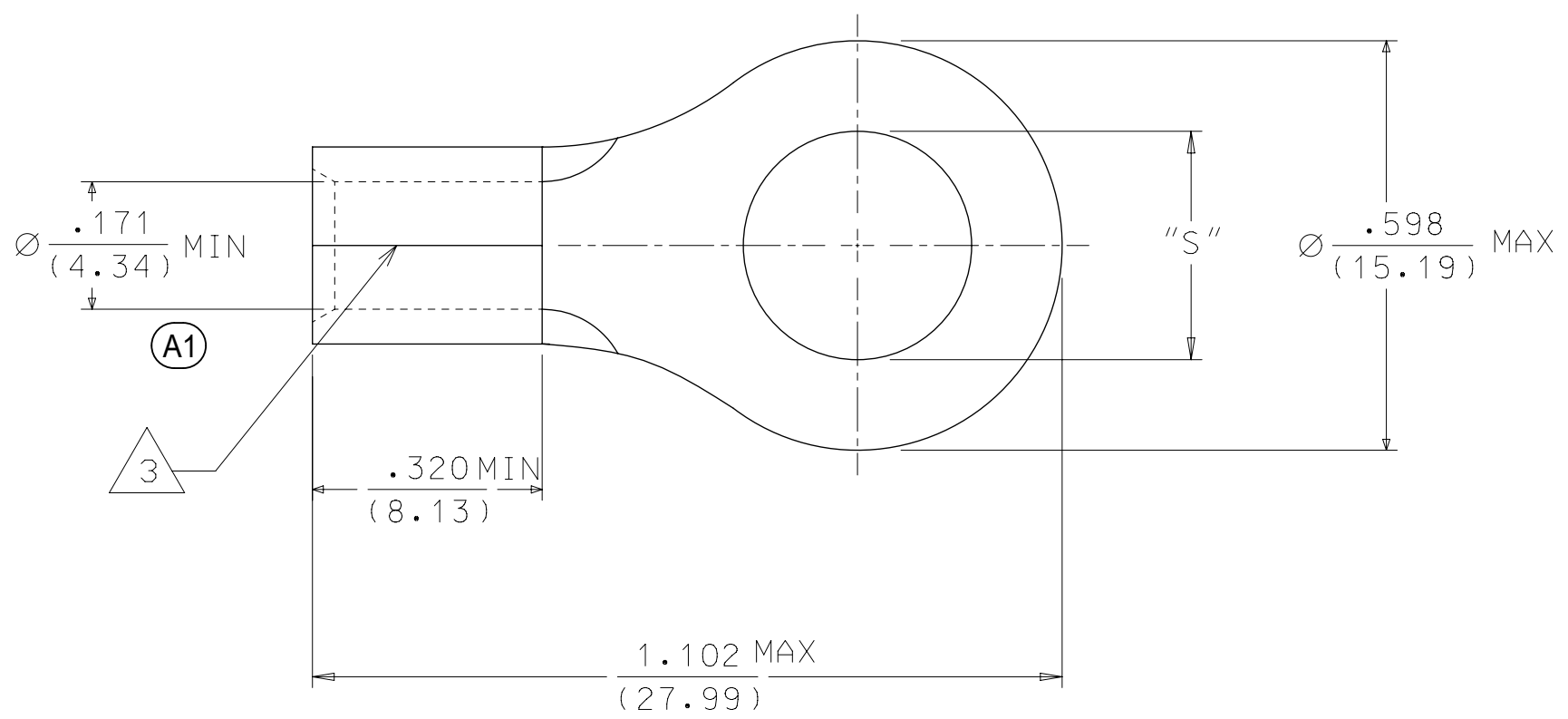
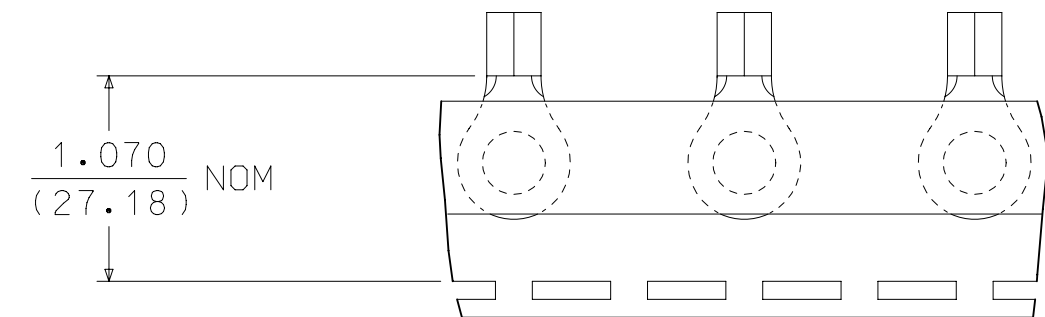


MATERIAL NUMBER	ENGINEERING NUMBER	STUD SIZE	PACKAGING
191930159	D-351-10	10	LOOSE PIECE
191930163	D-351-14	1/4	
191930171	D-351-56	5/16	
191930167	D-351-38	3/8	
191930175	D-351-76	7/16	
191930166	D-351-14T	1/4	TAPE MOUNTED
191930174	D-351-56T	5/16	
191930170	D-351-38T	3/8	
191930177	D-351-76T		



SALES DRAWING

- NOTES:
- MATERIAL: COPPER
PLATING: ELECTROPLATE TIN
 - ALL DIMENSIONS IN INCHES/(MM).
 - BRAZED SEAM.
 - PARTS ARE ROHS COMPLIANT. (A1)

THIS DRAWING CONTAINS INFORMATION THAT IS PROPRIETARY TO MOLEX ELECTRONIC TECHNOLOGIES, LLC AND SHOULD NOT BE USED WITHOUT WRITTEN PERMISSION											
DIMENSION UNITS INCH/MM		SCALE NTS		CURRENT REV DESC: OBSOLETE PART NUMBERS AS PER PCN#508521							
GENERAL TOLERANCES (UNLESS SPECIFIED)						EC NO: 667388					
						DRWN: SKANDB		2021/04/16		PRODUCT CUSTOMER DRAWING	
4 PLACES ±		3 PLACES ±		2 PLACES ±		1 PLACE ±		0 PLACES ±		ANGULAR TOL ± °	
						CHK'D: GGA		2021/07/05		APPR: GGA	
						INITIAL REVISION:		2001/06/11		DOCUMENT NUMBER	
						DRWN: BRE				SD-19193-017	
						APPR:				DOC TYPE DOC PART REVISION	
DRAFT WHERE APPLICABLE MUST REMAIN WITHIN DIMENSIONS		THIRD ANGLE PROJECTION		DRAWING		SERIES		MATERIAL NUMBER		CUSTOMER	
				B-SIZE		19193		SEE TABLE		GENERAL MARKET	
										SHEET NUMBER	
										1 OF 1	