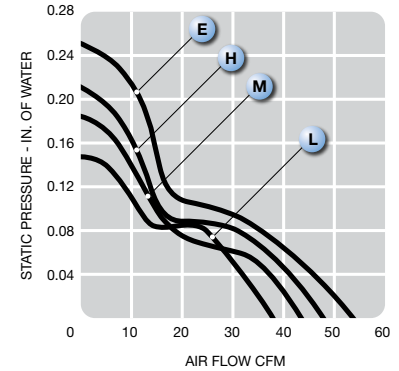
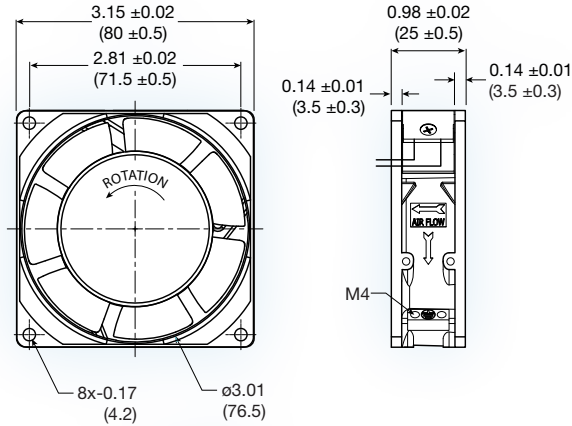




# LPC80B series\*



**(80 x 80 x 25 mm)**

3.15 x 3.15 x 0.98 inches

Features: low power consumption, global input voltage

Operating voltage: 90 ~ 264 VAC

Construction: magnesium die cast frame with UL94V-0 plastic impeller

Bearing option: motor quality ball bearings

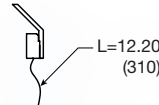
Motor: electronically comutated

Air Flow: air exhaust over struts

Connection: terminal type or lead wire



Terminal



Lead Wire

Model No.	Rated Voltage V	Freq. HZ	Input Power W	Speed RPM	Air Volume		Max. Static Pressure (H <sub>2</sub> O)		Sound Noise dBa	Weight g
					M <sup>3</sup> /Min.	CFM	MM	INCH		
LPC80B99-__L	90 ~ 264	50/60	3.0	3,000	1.1	38	3.5	0.14	31	175
LPC80B99-__M	90 ~ 264	50/60	3.5	3,500	1.2	43	4.5	0.18	36	175
LPC80B99-__H	90 ~ 264	50/60	4.0	4,000	1.4	48	5.3	0.21	40	175
LPC80B99-__E	90 ~ 264	50/60	5.0	4,500	1.5	53	6.3	0.25	45	175

\*Not to be used for new designs