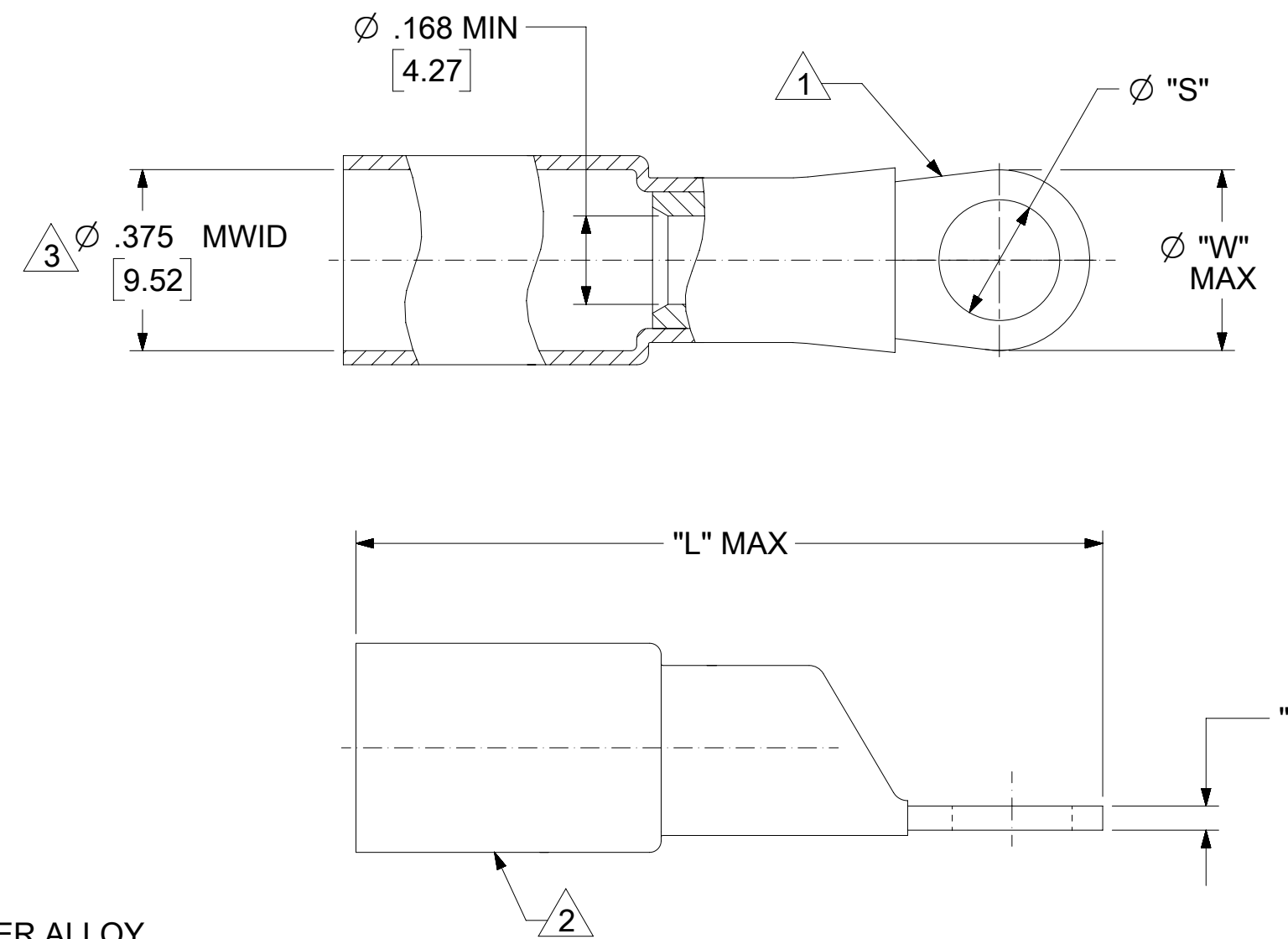


MAT'L NO.	ENG. NO.	STUD SIZE	"S" ±.010 (0.25)	"W" MAX	"L" MAX	"T" REF
191640889	SD-656-08	#8	.173 (4.39)	.38 (9.7)	1.60 (40.6)	.045 (1.14)
191640080	SD-656-10	#10	.198 (5.03)			
191640081	SD-651-14	1/4	.265 (6.73)			
191640083	SD-651-56	5/16	.328 (8.33)	.60 (15.2)	1.79 (45.5)	
191640082	SD-652-38	3/8	.390 (9.91)	.82 (20.8)	2.05 (52.1)	.050 (1.27)
191640839	SD-652-76	7/16	.453 (11.51)			
191640457	SD-652-12	1/2	.515 (13.08)			



- NOTE(S):
- 1 TERMINAL MATERIAL: COPPER ALLOY
FINISH: ELECTRO-TIN PLATE
 - 2 INSUL. MATERIAL: HEAT SHRINKABLE TUBING WITH HOTMELT
ADHESIVE INNER LINER
COLOR: RED
 - 3 MWID = MAXIMUM WIRE INSULATION DIAMETER.
 - 4. ASSEMBLY IS RoHS COMPLIANT.

THIS DRAWING CONTAINS INFORMATION THAT IS PROPRIETARY TO MOLEX ELECTRONIC TECHNOLOGIES, LLC AND SHOULD NOT BE USED WITHOUT WRITTEN PERMISSION									
SYMBOLS		DIMENSION UNITS		SCALE		CURRENT REV DESC: MIGRATE TO NX & UPDATE NOTES			
= 0		INCH/MM		NTS		EC NO: 632141 DRWN: DMYRICK 2020/02/12 CHK'D: JMACNEIL 2020/02/13 APPR: JMACNEIL 2020/02/13			
= 0		GENERAL TOLERANCES (UNLESS SPECIFIED)							
= 0		MM		INCH		INITIAL REVISION: DRWN: DBUNNELL 2000/09/06 APPR: RDEROSS 2000/09/13			
= 0		4 PLACES ±		±					
= 0		3 PLACES ±		±		DOCUMENT NUMBER: SD-19164-023 DOC TYPE: PSD DOC PART: 001 REVISION: H2			
= 0		2 PLACES ±		±					
= 0		1 PLACE ±		±		MATERIAL NUMBER: SEE CHART CUSTOMER: GENERAL MARKET SHEET NUMBER: 1 OF 1			
= 0		0 PLACES ±		±					
= 0		ANGULAR TOL ± °		°		THIRD ANGLE PROJECTION DRAWING: B-SIZE SERIES: 19164			
= 0		DRAFT WHERE APPLICABLE MUST REMAIN WITHIN DIMENSIONS							