

**PLEASE CHECK WWW.MOLEX.COM FOR LATEST PART INFORMATION**

**Part Number:** [0546791619](#)  
**Status:** **Active**  
**Description:** 1.25mm Pitch Small MGC (Multi-Ground Connector) Panel Mount Receptacle Housing Adapter, Polarizing Key 2.00mm Left from the Center

**Documents:**

[3D Model](#) [Product Specification PS-54678-007-001 \(PDF\)](#)  
[Drawing \(PDF\)](#) [RoHS Certificate of Compliance \(PDF\)](#)

**General**

Product Family	Accessories
Series	<a href="#">54679</a>
Component Type	Adapter
Product Name	Small MGC
UPC	822348367214

**Physical**

Circuits (Loaded)	16
Circuits (maximum)	16
Color - Resin	Gray
Gender	Female
Material - Plating Mating	Gold
Material - Plating Termination	Tin
Material - Resin	Polyester
Net Weight	5534.680/mg
Number of Rows	2
Packaging Type	Tray
Plating min - Mating	0.102µm
Plating min - Termination	1.016µm
Polarized to Mating Part	Yes
Temperature Range - Operating	-20° to +80°C
Termination Interface: Style	N/A, Through Hole

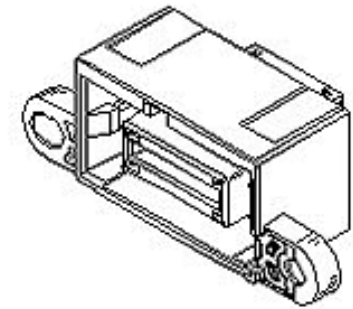
**Electrical**

Current - Maximum per Contact	1.5A
-------------------------------	------

**Material Info**

**Reference - Drawing Numbers**

Product Specification	PS-54678-007-001
Sales Drawing	SD-54679-004



*Series image - Reference only*

**EU ELV**

**Not Relevant**

**EU RoHS**

**Compliant**

**REACH SVHC**

Not Contained Per -  
ED/71/2019 (16 July  
2019)

**Halogen-Free**

**Status**

**Not Low-Halogen**

For more information, please visit [Contact US](#)

China ROHS

ELV

RoHS Phthalates

**China RoHS**

Green Image

Not Relevant

Not Contained

**Search Parts in this Series**

[54679 Series](#)

**Use With**

[54596 Series](#)