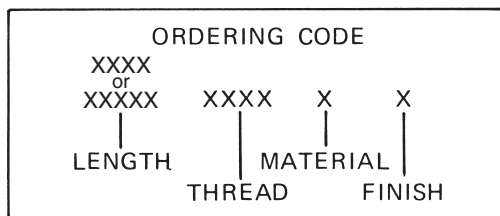
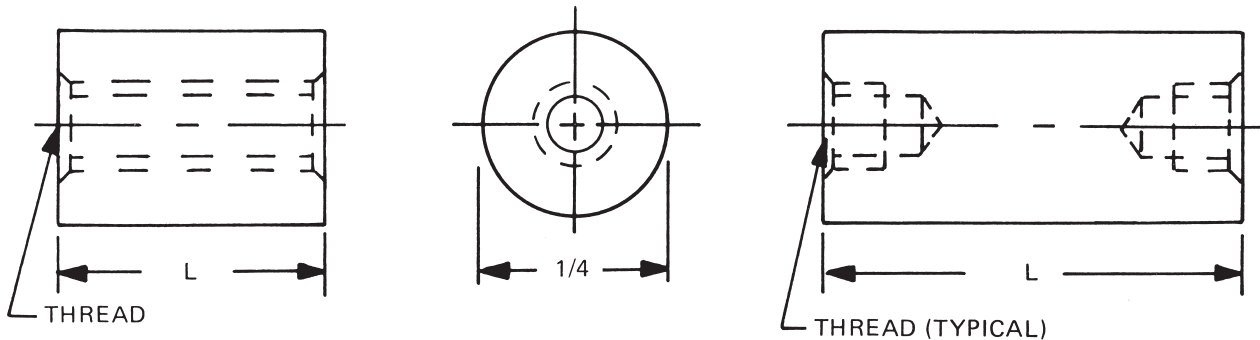


1/4 ROUND FEMALE STANDOFFS



See page 10 for thread depth chart
 See page 9 for finish codes
 For non-standard parts contact Sales Office

| LENGTH | PART NO. |
|--------|----------|
| 3/32 | 1678A |
| 1/8 | 1678 |
| 5/32 | 1678T |
| 3/16 | 1679 |
| 7/32 | 1679T |
| 1/4 | 1680 |
| 9/32 | 1680T |
| 5/16 | 1681 |
| 11/32 | 1681T |
| 3/8 | 1682 |
| 13/32 | 1682T |
| 7/16 | 1683 |
| 15/32 | 1683T |
| 1/2 | 1684 |
| 17/32 | 1684T |
| 9/16 | 1685 |
| 19/32 | 1685T |
| 5/8 | 1686 |
| 21/32 | 1686T |
| 11/16 | 1687 |
| 23/32 | 1687T |
| 3/4 | 1688 |
| 25/32 | 1688T |
| 13/16 | 1689 |
| 27/32 | 1689T |
| 7/8 | 1690 |
| 29/32 | 1690T |

| LENGTH | PART NO. |
|---------|----------|
| 15/16 | 1691 |
| 31/32 | 1691T |
| 1" | 1692 |
| 1-1/16 | 1693 |
| 1-1/8 | 1694 |
| 1-3/16 | 1695 |
| 1-1/4 | 1696 |
| 1-5/16 | 1697 |
| 1-3/8 | 1698 |
| 1-7/16 | 1699 |
| 1-1/2 | 1700 |
| 1-9/16 | 1701 |
| 1-5/8 | 1702 |
| 1-11/16 | 1703 |
| 1-3/4 | 1704 |
| 1-13/16 | 1705 |
| 1-7/8 | 1706 |
| 1-15/16 | 1707 |
| 2" | 1708 |
| 2-1/8 | 1709 |
| 2-1/4 | 1710 |
| 2-3/8 | 1711 |
| 2-1/2 | 1712 |
| 2-5/8 | 1713 |
| 2-3/4 | 1714 |
| 2-7/8 | 1715 |
| 3" | 1716 |

| LENGTH | PART NO. |
|--------|----------|
| 3-1/4 | 1717 |
| 3-1/2 | 1718 |
| 3-3/4 | 1719 |
| 4" | 1720 |
| 4-1/4 | 1721 |
| 4-1/2 | 1722 |
| 4-3/4 | 1723 |
| 5" | 1724 |
| 5-1/4 | 1725 |
| 5-1/2 | 1726 |
| 5-3/4 | 1727 |
| 6" | 1728 |
| 6-1/4 | 1729 |
| 6-1/2 | 1730 |
| 6-3/4 | 1731 |
| 7" | 1732 |
| 7-1/4 | 1733 |
| 7-1/2 | 1734 |
| 7-3/4 | 1735 |
| 8" | 1736 |
| 8-1/4 | 1737 |
| 8-1/2 | 1738 |
| 8-3/4 | 1739 |
| 9" | 1740 |
| 9-1/4 | 1741 |
| 9-1/2 | 1742 |
| 9-3/4 | 1743 |
| 10" | 1744 |

| THREAD | CODE |
|--------|------|
| 4-40 | 440 |
| 6-32 | 632 |
| 8-32 | 832 |
| 10-32 | 1032 |

| MATERIAL | CODE | RoHS |
|-----------------|------|------|
| Aluminum | AL | YES |
| Brass | B | YES |
| Stainless Steel | SS | YES |
| Steel | S | YES |
| Nylon | N | YES |
| Phenolic | PH | YES |



RAF ELECTRONIC
HARDWARE

95 Silvermine Road, Seymour, Ct. 06483 Phone: 203-888-2133 Fax: 203-888-9860
 e-mail: info@rafhdwe.com Web: www.rafhdwe.com

