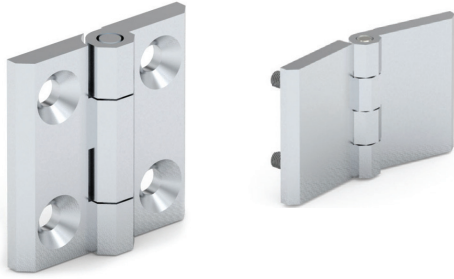




LEAF HINGE - VERSION 1, 2, 4, 5, 6



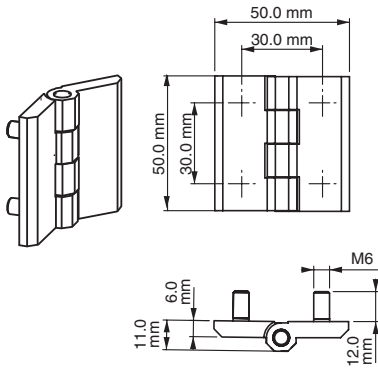
Specifications

- Material:
Body: Zinc Alloy (Zamak) DIN-EN 1774-ZnAl4Cu1
Pin: Stainless Steel
- Maximum hinge rotation 270°
- Available in three sizes, hole or stud installation:
- 50 mm x 50 mm
- 50 mm x 63 mm
- 50 mm x 76 mm

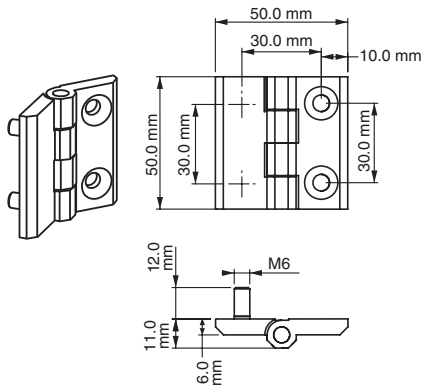
Features

- Generally used for plain / flush-mounted doors
- Stud versions fitted with M6 x 12 mm threaded stud
- Stainless steel (AISI 304) hinge pin
- Applications: Electric panels, built-in covers

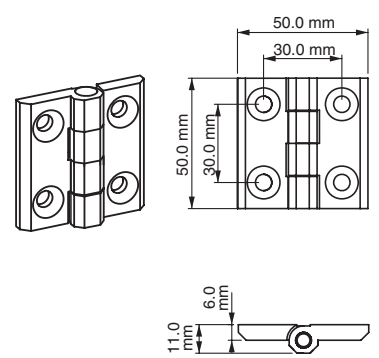
Version 1



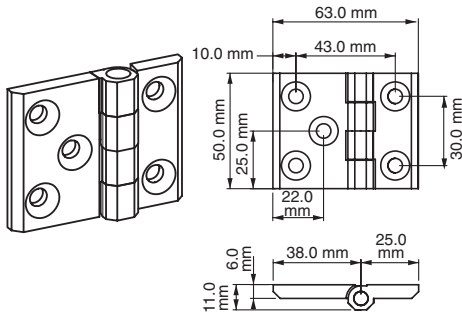
Version 2



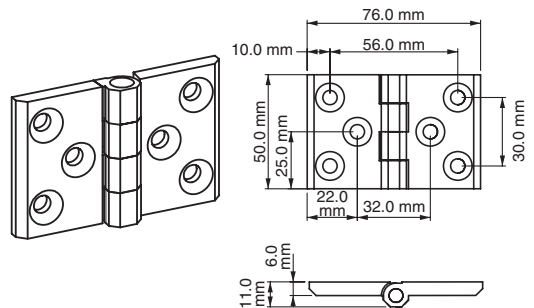
Version 4



Version 5



Version 6



Item Number	Hinge Rotation	Material	Finish	Version
099-1-1-1	270°	Zinc Alloy	Chrome	1
099-1-1-2	270°	Zinc Alloy	Chrome	2
099-1-1-4	270°	Zinc Alloy	Chrome	4
099-1-1-5	270°	Zinc Alloy	Chrome	5
099-1-1-6	270°	Zinc Alloy	Chrome	6
099-1-2-1	270°	Zinc Alloy	Black	1
099-1-2-2	270°	Zinc Alloy	Black	2
099-1-2-4	270°	Zinc Alloy	Black	4
099-1-2-5	270°	Zinc Alloy	Black	5
099-1-2-6	270°	Zinc Alloy	Black	6