

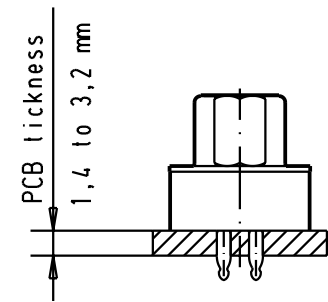
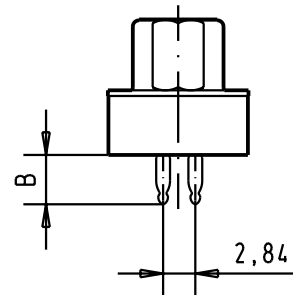
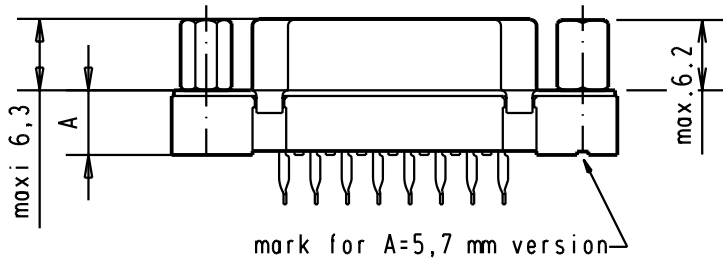
5

4

3

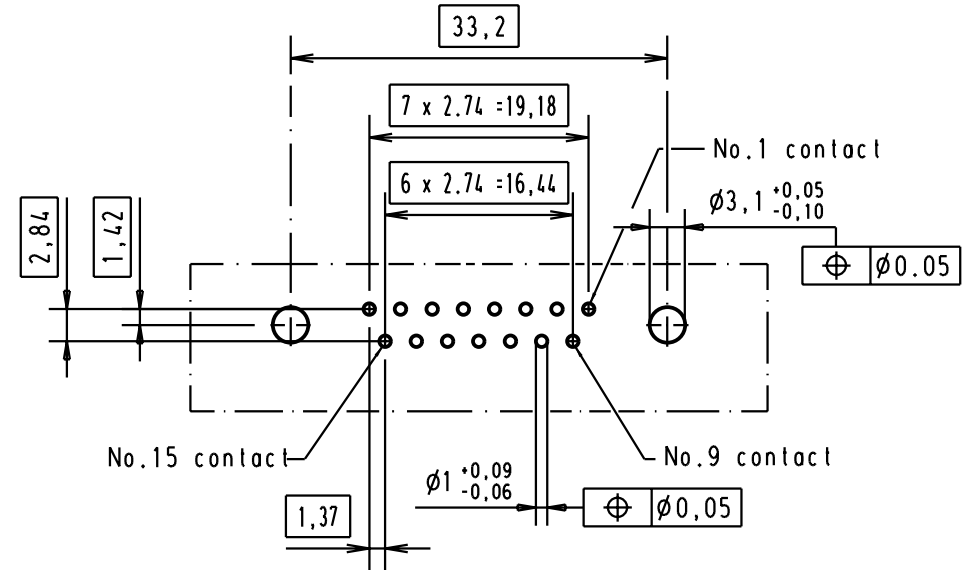
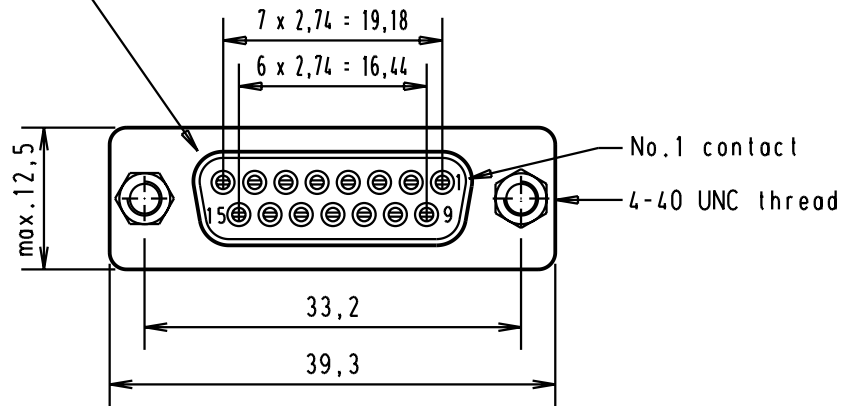
2

1

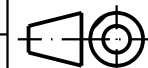


Printed board layout
Component side

Mating face according to : MIL-C-24308 / DIN 41652 / CECC 75301-802



09662147503	3	6	4.20																	
09662146503	2	6	4.20	31079	29-AUG-02	CV	Detail.	30/06/95	jfb											
09662145503	0.76 μ m Au	6	4.20	29701	20 JUL 01	S G	Insp.													
09662147507	3	5.7	4.35	27980	05/03/01	jfb	Stand.													
09662146507	2	5.7	4.35	17971	04/14/97	jfb														
09662145507	0.76 μ m Au	5.7	4.35	16236	30/06/95	jfb														
Part number	Performance level	A \pm 0.2	B \pm 0.2	Mod.	Dat.	Name														



All Dim. in mm
Orig. Size DIN A 4

D-Sub 15 poles straight female connector with press-in termination, version nut and screw lock.

Moßstab/
Scale
1,5:1

HARTING EURL
F-95972 Paris



TB 0966214x50x

Blatt/ Page

4

Sub.