



# CLIPLITE Midget Flange Relampable Indicator Lights



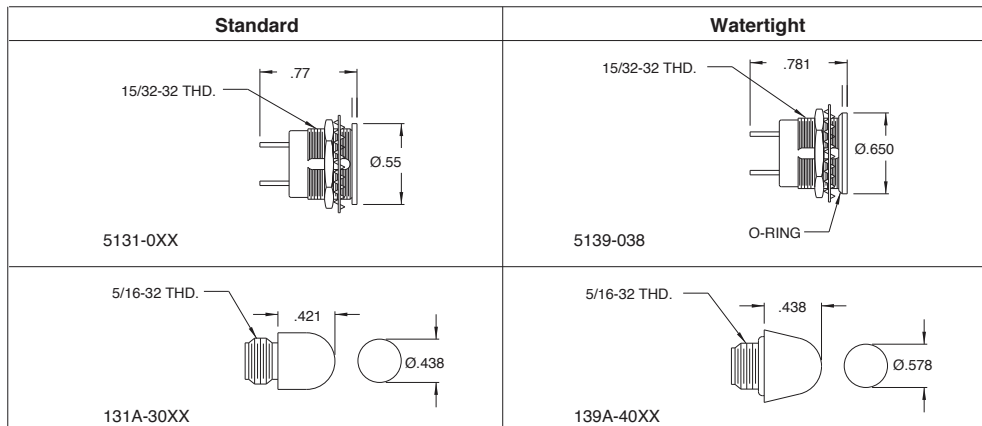
Midget Flange Indicator Lights are versatile, industry standard, front panel indicator lights capable of accepting any T-1 3/4 midget flange base lamp. These high quality indicators provide reliable service in a vast array of commercial and military applications (conforming to MIL-L-3661). Lamps are easily replaced from the front panel. These indicator lights are available in both a standard configuration and a watertight configuration providing reliable status indication in the most demanding of environments. The lamp is not included with this indicator light; please order the required lamp separately.

## Lens Specifications

Standard	Watertight	Description
131A-303R	139A-403R	Transparent Red
131A-303A	139A-403A	Transparent Amber
131A-303G	-	Translucent Dark Green
131A-303C	139A-403C	Transparent Clear
131A-304R	139A-404R	Translucent Red
131A-304Y	139A-404Y	Translucent Yellow
131A-304G	139A-404G	Translucent Light Green
131A-304W	139A-404W	Translucent White

## Panel Mount Indicator Specifications

<b>Mounting Hole:</b>	.484", 5131 Type has a keyed flange anti-rotation feature, 5139 Type features a flat "D" hole mounting
<b>Mounting Centers:</b>	.750"
<b>Maximum Panel Thickness:</b>	5131 type: .265", 5139 type: .188"
<b>Housing/Material:</b>	Black anodized aluminum (suffix -038). Clear anodized aluminum (suffix -032)
<b>Lugs:</b>	Brass, center contact terminal marked +
<b>Hex Nut:</b>	Cadmium plated steel
<b>Lockwasher:</b>	Cadmium plated steel
<b>Lens:</b>	Lexan
<b>Lens Shank:</b>	Nickel plated brass
<b>Electrical rating:</b>	30 Volts, up to 1.26 Watt, 0.5A max. current.



All dimension in inches.