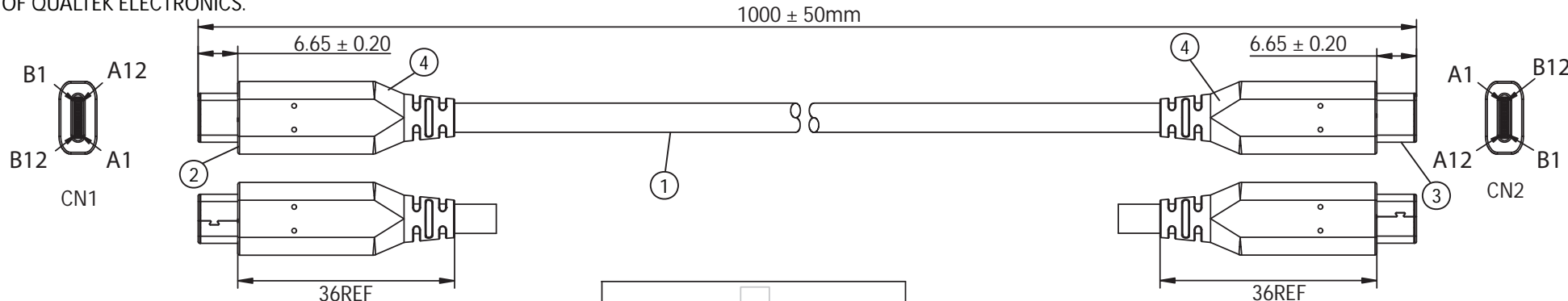
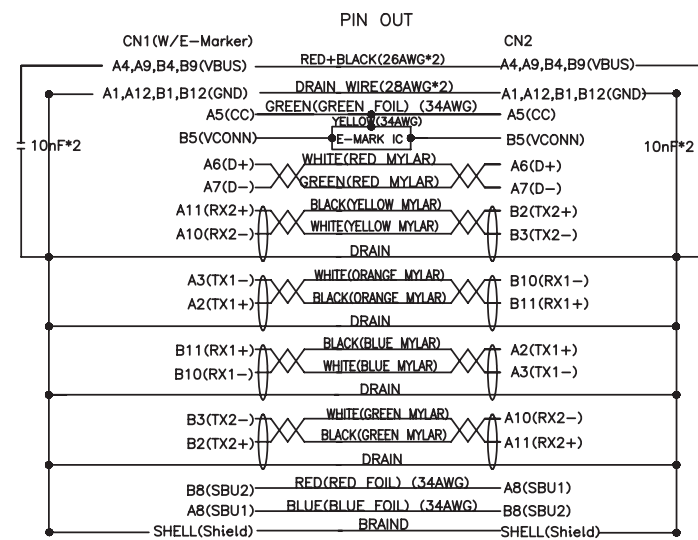
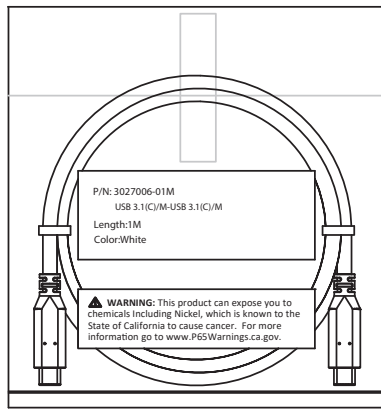


THESE DRAWINGS ARE THE PROPERTY OF QUALTEK ELECTRONICS AND NOT TO BE REPRODUCED FOR OR COMMUNICATED TO A THIRD PARTY WITHOUT THE EXPRESS WRITTEN PERMISSION OF AN OFFICER OF QUALTEK ELECTRONICS.

REVISION			
REV.	DESCRIPTION	DATE	APPROVED



P/N: 3027006-01M
 USB 3.1(C)/M-USB 3.1(C)/M
 Length:1M
 Color:White



NOTES:

- CABLE: UL2725**
 (30AWG*1PR+EAM)*4+(31AWG*2K+AM)+26AWGx2C+34AWGx1C+(34AWG*1C+A)*3+ 2EAB 85%
 PVC OUTER JACKET: WHITE, OD: 5.2 ± 0.2mm
- CONNECTOR: USB 3.1 GEN 2 TYPE C MALE**
 INSULATOR: BLACK PBT
 PIN GOLD PLATED
 NICKEL PLATED SHELL
- CONNECTOR: USB 3.1 GEN 2 TYPE C MALE**
 INSULATOR: BLACK PBT
 PIN GOLD PLATED
 NICKEL PLATED SHELL
 PCB WITH IC E-MARKED
- PVC MOLDED: COLOR 45P WHITE**
- ELECTRICAL TEST:**
 - <1>.100% OPEN SHORT & MISS WIRE TEST
 - <2>. HIPOT: 50V AC/0.01SEC 50V DC/0.01SEC
 - <3>. INSULATION RESISTANCE: 10M OHM (MIN)
 - <4>. CONDUCTIVE RESISTANCE: 2 OHM (MAX)
 - <5>.CAPACITANCE DETECTION: 20nF ± 20% BETWEEN A1 AND A4
- DATA TRANSFER RATE UP TO 10Gbps (NOMINAL)**
- CURRENT RATING UP TO 5A (NOMINAL)**
- VOLTAGE RATING UP TO 20V (NOMINAL)**
- PACKING: 1PC/POLYBAG W/ LABEL**

CONTROLLED

Dim range (mm)	Tolerance +/- (mm)	Qualtek Electronics Corp. WCI DIVISION		
0-1	0.15	Part Number: 3027006-01M RoHS Compliant		
1-6	0.20	Description: USB 3.1(C)/M - USB 3.1 (C)/M		
6-18	0.30	UNIT: mm		
18-50	0.50	UNIT: mm		
50-120	0.70	Drawn / Date	Checked / Date	Approved / Date
120-250	0.90	R. Nuti 10-29-18	10-29-18	LY / 10-29-18
250-500	1.20			