



## Main

|                           |                               |
|---------------------------|-------------------------------|
| Range of Product          | Zelio Logic                   |
| Product or Component Type | Discrete I/O extension module |

## Complementary

|                                |  |
|--------------------------------|--|
| Number of control scheme lines | 120 ladder   |
| Cycle time                     | 6...90 ms  |
| Backup time                    | 10 years 77 °F (25 °C)   |
| Clock drift                    | 12 min/year 32...131 °F (0...55 °C)  |
| Checks                         | Program memory on each power up  |
| [Us] rated supply voltage      | 12 V DC  |
| Supply voltage limits          | 10.4...14.4 V  |
| Reverse polarity protection    | With   |
| Discrete input number          | 8 EN/IEC 61131-2 type 1  |
| Discrete input type            | Resistive  |
| Discrete input voltage         | 12 V DC  |
| Discrete input current         | 4 mA   |
| Counting frequency             | 1 kHz discrete input   |
| Voltage state 1 guaranteed     | >= 7 V IB...IG used as discrete input circuit<br>>= 5.6 V I1...IA and IH...IR discrete input circuit   |
| Voltage state 0 guaranteed     | <= 3 V IB...IG used as discrete input circuit<br><= 2.4 V I1...IA and IH...IR discrete input circuit   |
| Current state 1 guaranteed     | >= 2 mA I1...IA and IH...IR discrete input circuit)<br>>= 0.5 mA IB...IG used as discrete input circuit)   |
| Current state 0 guaranteed     | <= 0.2 mA IB...IG used as discrete input circuit)<br><= 0.9 mA I1...IA and IH...IR discrete input circuit)   |
| Input compatibility            | 3-wire proximity sensors PNP discrete input  |
| Input impedance                | 14 kOhm IB...IG used as discrete input circuit<br>2.7 kOhm I1...IA and IH...IR discrete input circuit  |
| Number of Outputs              | 6 relay  |
| Output voltage limits          | 24...250 V AC relay output)<br>5...30 V DC relay output)   |
| Contacts type and composition  | NO relay output  |
| Output thermal current         | 5 A for 2 outputs relay output<br>8 A for 4 outputs relay output   |
| Electrical durability          | AC-15 500000 cycles 230 V, 0.9 A relay output EN/IEC 60947-5-1<br>AC-12 500000 cycles 230 V, 1.5 A relay output EN/IEC 60947-5-1<br>DC-13 500000 cycles 24 V, 0.6 A relay output EN/IEC 60947-5-1<br>DC-12 500000 cycles 24 V, 1.5 A relay output EN/IEC 60947-5-1 |
| Switching capacity in mA       | >= 10 mA 12 V relay output)  |
| Operating rate in Hz           | 0.1 Hz at Ie)relay output<br>10 Hz no load)relay output  |

|  |   |
|--|---|
| Mechanical durability                  | 10000000 cycles relay output  |
| [Uimp] rated impulse withstand voltage | 4 kV EN/IEC 60947-1 and EN/IEC 60664-1  |
| Response time                          | 10 ms from state 0 to state 1)relay output<br>5 ms from state 1 to state 0)relay output   |
| Connections - terminals                | Screw terminals, 1 x 0.25...1 x 2.5 mm <sup>2</sup> AWG 24...AWG 14) flexible with cable end<br>Screw terminals, 2 x 0.25...2 x 0.75 mm <sup>2</sup> AWG 24...AWG 18) flexible with cable end<br>Screw terminals, 1 x 0.2...1 x 2.5 mm <sup>2</sup> AWG 25...AWG 14) semi-solid<br>Screw terminals, 1 x 0.2...1 x 2.5 mm <sup>2</sup> AWG 25...AWG 14) solid<br>Screw terminals, 2 x 0.2...2 x 1.5 mm <sup>2</sup> AWG 24...AWG 16) solid |
| Tightening torque                      | 4.43 lbf.in (0.5 N.m)   |
| Overvoltage category                   | III EN/IEC 60664-1  |
| Net Weight                             | 0.49 lb(US) (0.22 kg)   |

## Environment

|                                       |   |
|---------------------------------------|---|
| Product Certifications                | GL<br>UL<br>GOST<br>C-tick<br>CSA   |
| Standards                             | EN/IEC 61000-4-6 level 3<br>EN/IEC 61000-4-3<br>EN/IEC 61000-4-2 level 3<br>EN/IEC 61000-4-4 level 3<br>EN/IEC 60068-2-27 Ea<br>EN/IEC 61000-4-12<br>EN/IEC 60068-2-6 Fc<br>EN/IEC 61000-4-11<br>EN/IEC 61000-4-5 |
| IP degree of protection               | IP20 IEC 60529 terminal block)<br>IP40 IEC 60529 front panel)   |
| Environmental characteristic          | EMC directive EN/IEC 61000-6-2<br>EMC directive EN/IEC 61000-6-3<br>EMC directive EN/IEC 61000-6-4<br>EMC directive EN/IEC 61131-2 zone B<br>Low voltage directive EN/IEC 61131-2                                 |
| Disturbance radiated/conducted        | Class B EN 55022-11 group 1   |
| Pollution degree                      | 2 EN/IEC 61131-2  |
| Ambient air temperature for operation | -4...104 °F (-20...40 °C) in non-ventilated enclosure IEC 60068-2-1 and IEC 60068-2-2<br>-4...131 °F (-20...55 °C) IEC 60068-2-1 and IEC 60068-2-2  |
| Ambient Air Temperature for Storage   | -40...158 °F (-40...70 °C)  |
| Operating altitude                    | 6561.68 ft (2000 m)   |
| Maximum altitude transport            | 10000.00 ft (3048 m)  |
| Relative Humidity                     | 95 % without condensation or dripping water   |

## Ordering and shipping details

|                       |                              |
|-----------------------|------------------------------|
| Category              | 22378 - SR2,3 ZELIO 2 RELAYS |
| Discount Schedule     | I                            |
| GTIN                  | 3389119203951                |
| Nbr. of units in pkg. | 1                            |
| Package weight(Lbs)   | 6.95 oz (197 g)              |
| Returnability         | No                           |
| Country of origin     | FR                           |

## Packing Units

|                              |                  |
|------------------------------|------------------|
| Unit Type of Package 1       | PCE              |
| Package 1 Height             | 2.68 in (6.8 cm) |
| Package 1 width              | 3.54 in (9 cm)   |
| Package 1 Length             | 3.94 in (10 cm)  |
| Unit Type of Package 2       | S03              |
| Number of Units in Package 2 | 30               |

|                  |                         |
|------------------|-------------------------|
| Package 2 Weight | 14.48 lb(US) (6.568 kg) |
| Package 2 Height | 11.81 in (30 cm)        |
| Package 2 width  | 11.81 in (30 cm)        |
| Package 2 Length | 15.75 in (40 cm)        |

### Offer Sustainability

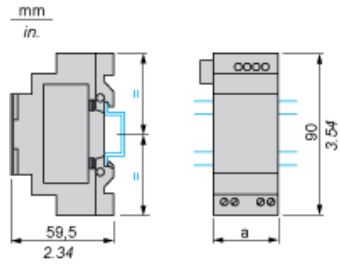
|                            |   |
|----------------------------|---|
| Sustainable offer status   | Green Premium product   |
| California proposition 65  | WARNING: This product can expose you to chemicals including: Lead and lead compounds, which is known to the State of California to cause cancer and birth defects or other reproductive harm. For more information go to <a href="http://www.P65Warnings.ca.gov">www.P65Warnings.ca.gov</a> |
| REACH Regulation           | <a href="#">REACH Declaration</a>   |
| EU RoHS Directive          | Pro-active compliance (Product out of EU RoHS legal scope) <a href="#">EU RoHS Declaration</a>  |
| Mercury free               | Yes   |
| RoHS exemption information | <a href="#">Yes</a>   |
| China RoHS Regulation      | <a href="#">China RoHS Declaration</a>  |
| Environmental Disclosure   | <a href="#">Product Environmental Profile</a>   |
| Circularity Profile        | <a href="#">End Of Life Information</a>   |
| WEEE                       | The product must be disposed on European Union markets following specific waste collection and never end up in rubbish bins.  |
| PVC free                   | Yes   |

### Contractual warranty

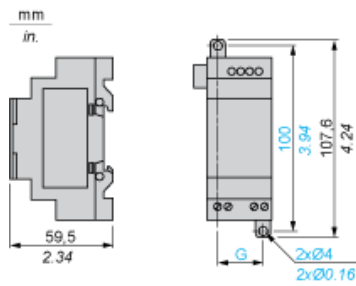
|          |           |
|----------|-----------|
| Warranty | 18 months |
|----------|-----------|

I/O Extension Modules

Mounting on 35 mm/1.38 in. DIN Rail



Screw Fixing (Retractable Lugs)



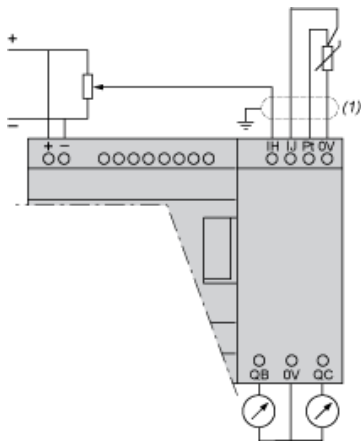
| SR3     | a (mm/in.) | G (mm/in.) |
|---------|------------|------------|
| XT61••  | 35 / 1.38  | 25 / 0.98  |
| XT101•• | 72 / 2.83  | 60 / 2.36  |
| XT141•• | 72 / 2.83  | 60 / 2.36  |

Connection of Smart Relays on DC Supply, with Analog I/O Extension Module

Connection Alternatives

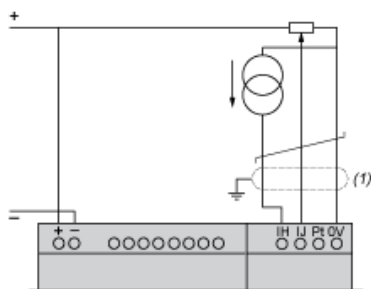
| 0 - 10 V | 0 - 20 mA | Pt100 |
|----------|-----------|-------|
| 2        | 0         | 0     |
| 1        | 1         | 0     |
| 0        | 2         | 0     |
| 1        | 0         | 1     |
| 0        | 1         | 1     |

Application Example with 1 x 0 - 10 V Input and 1 x Pt100 Input



(1) Screened cables, maximum length 10 m/32.80 ft.

Application Example with 1 x 0 - 20 mA Input and 1 x 0 - 10 V Input



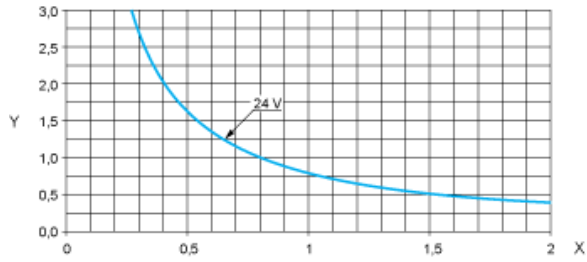
(1) Screened cables, maximum length 10 m/32.80 ft.

Compact and Modular Smart Relays

Electrical Durability of Relay Outputs

(in millions of operating cycles, conforming to IEC/EN 60947-5-1)

DC-12 (1)

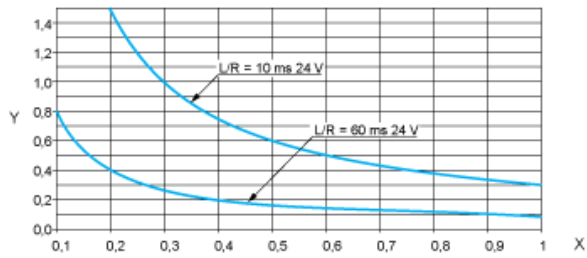


X: Current (A)

Y: Millions of operating cycles

(1) DC-12: control of resistive loads and of solid state loads isolated by opto-coupler,  $L/R \leq 1$  ms.

DC-13 (1)



X: Current (A)

Y: Millions of operating cycles

(1) DC-13: switching electromagnets,  $L/R \leq 2 \times (U_e \times I_e)$  in ms,  $U_e$ : rated operational voltage,  $I_e$ : rated operational current (with a protection diode on the load, DC-12 curves must be used with a coefficient of 0.9 applied to the number in millions of operating cycles).