

- 1
- 2
- 3
- 4
- 5
- 6
- 7
- 8
- 9
- 10
- 11
- 12
- 13
- 14
- 15
- 16
- 17
- 18

**BASE**

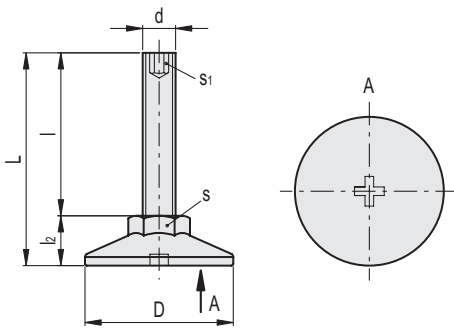
Polyamide based (PA) technopolymer with adjusting hexagon, black colour, matte finish.

**STANDARD EXECUTION**

Zinc-plated steel threaded stem with hexagon socket at the upper end. Base with screwdriver cross slot.

**TECHNICAL DATA**

It's the user's responsibility to determine whether the product is suitable for the intended purpose according to the actual conditions of use.



Conversion Table	
1 mm = 0.039 inch	
D	
mm	inch
25	0.98
30	1.18

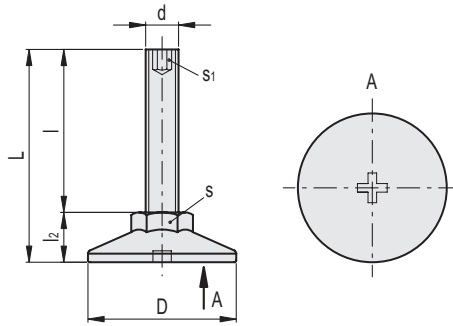
METRIC

Code	Description	D	d	L	l	l2	s	s1	Max. limit static load* [N]	⚖
431201	LX.25-SW13-M6x24-HS	25	M6	35	24	11	13	3	1500	8
431203	LX.25-SW13-M6x34-HS	25	M6	45	34	11	13	3	1500	10
431205	LX.25-SW13-M6x54-HS	25	M6	65	54	11	13	3	1500	14
431207	LX.25-SW13-M6x64-HS	25	M6	75	64	11	13	3	1500	16
431211	LX.25-SW13-M8x19-HS	25	M8	30	19	11	13	4	2500	10
431213	LX.25-SW13-M8x24-HS	25	M8	35	24	11	13	4	2500	12
431215	LX.25-SW13-M8x34-HS	25	M8	45	34	11	13	4	2500	14
431217	LX.25-SW13-M8x54-HS	25	M8	65	54	11	13	4	2500	18
431219	LX.25-SW13-M8x74-HS	25	M8	85	74	11	17	4	2500	22
431241	LX.30-SW17-M6x24-HS	30	M6	36	24	12	17	3	1500	14
431243	LX.30-SW17-M6x34-HS	30	M6	46	34	12	17	3	1500	16
431245	LX.30-SW17-M6x54-HS	30	M6	66	54	12	17	3	1500	20
431251	LX.30-SW17-M8x19-HS	30	M8	31	19	12	17	4	2500	17
431253	LX.30-SW17-M8x24-HS	30	M8	36	24	12	17	4	2500	18
431255	LX.30-SW17-M8x34-HS	30	M8	46	34	12	17	4	2500	20
431257	LX.30-SW17-M8x54-HS	30	M8	66	54	12	17	4	2500	24
431259	LX.30-SW17-M8x74-HS	30	M8	86	74	12	17	4	2500	28
431271	LX.30-SW17-M10x19-HS	30	M10	31	19	12	17	5	3000	21
431273	LX.30-SW17-M10x24-HS	30	M10	36	24	12	17	5	3000	22
431275	LX.30-SW17-M10x34-HS	30	M10	46	34	12	17	5	3000	24
431277	LX.30-SW17-M10x44-HS	30	M10	56	44	12	17	5	3000	26
431279	LX.30-SW17-M10x54-HS	30	M10	66	54	12	17	5	3000	28
431281	LX.30-SW17-M10x64-HS	30	M10	76	64	12	17	5	3000	30
431283	LX.30-SW17-M10x74-HS	30	M10	86	74	12	17	5	3000	32

\* The max static load is the value above which the load applied to the element may cause some plastic material breakage, in particular conditions of use. Obviously, a factor that takes into consideration the importance and the safety level of the specific application must be applied to this value.

Levelling feet and supports

Conversion Table	
1 mm = 0.039 inch	
D	
mm	inch
40	1.57
50	1.97
60	3.15



Code	Description	D	d	L	l	l2	s	s1	Max. limit static load* [N]	⚖️
431221	LX.40-SW17-M8x15-HS	40	M8	29.5	16	13.5	17	4	2500	20
431223	LX.40-SW17-M8x20-HS	40	M8	34.5	21	13.5	17	4	2500	22
431225	LX.40-SW17-M8x30-HS	40	M8	44.5	31	13.5	17	4	2500	24
431227	LX.40-SW17-M8x50-HS	40	M8	64.5	51	13.5	17	4	2500	26
431229	LX.40-SW17-M8x70-HS	40	M8	84.5	71	13.5	17	4	2500	29
431301	LX.40-SW17-M10x20-HS	40	M10	34.5	21	13.5	17	5	3000	24
431303	LX.40-SW17-M10x30-HS	40	M10	44.5	31	13.5	17	5	3000	26
431305	LX.40-SW17-M10x40-HS	40	M10	54.5	41	13.5	17	5	3000	28
431307	LX.40-SW17-M10x50-HS	40	M10	64.5	51	13.5	17	5	3000	31
431309	LX.40-SW17-M10x60-HS	40	M10	74.5	61	13.5	17	5	3000	34
431311	LX.40-SW17-M10x70-HS	40	M10	84.5	71	13.5	17	5	3000	37
431325	LX.40-SW17-M10x100-HS	40	M10	114.5	101	13.5	17	5	3000	46
431321	LX.40-SW17-M12x50-HS	40	M12	64.5	51	13.5	17	6	5000	34
431323	LX.40-SW17-M12x70-HS	40	M12	84.5	71	13.5	17	6	5000	40
431327	LX.40-SW17-M12x100-HS	40	M12	114.5	101	13.5	17	6	5000	50
431285	LX.50-SW19-M10x51-HS	50	M10	68	51	17	19	5	3000	64
431287	LX.50-SW19-M10x71-HS	50	M10	88	71	17	19	5	3000	68
431289	LX.50-SW19-M10x101-HS	50	M10	118	101	17	19	5	3000	75
431351	LX.50-SW19-M12x51-HS	50	M12	68	51	17	19	6	5000	67
431353	LX.50-SW19-M12x71-HS	50	M12	88	71	17	19	6	5000	72
431355	LX.50-SW19-M12x101-HS	50	M12	118	101	17	19	6	5000	79
431361	LX.60-SW24-M12x48-HS	60	M12	67	48	19	24	6	5000	67
431363	LX.60-SW24-M12x68-HS	60	M12	87	68	19	24	6	5000	73
431365	LX.60-SW24-M12x98-HS	60	M12	117	98	19	24	6	5000	82
431367	LX.60-SW24-M16x69-HS	60	M16	88	69	19	24	8	7500	102
431369	LX.60-SW24-M16x109-HS	60	M16	128	109	19	24	8	7500	132
431371	LX.60-SW24-M16x149-HS	60	M16	168	149	19	24	8	7500	156

\* The max static load is the value above which the load applied to the element may cause some plastic material breakage, in particular conditions of use. Obviously, a factor that takes into consideration the importance and the safety level of the specific application must be applied to this value.

