

PART No. MATRIX

E 2 6 E 0 6 0 2 1 M X X X X

E=ETHERNET/
Ethernet

HEADS:
2 = M12 x Coding
6 = RJ45

HEADS STYLE:
060 = MALE STR / MALE STR

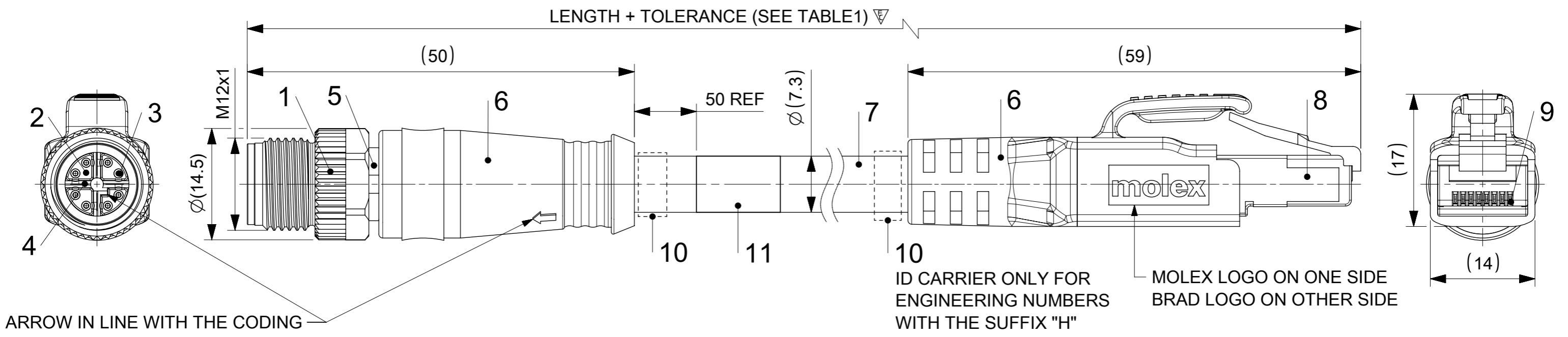
WIRING TYPE:
E=8 Pole (STRAIGHT WIRED)

CABLE TYPE :
CABLE 21

UNITS:
M= METER
T= 10xMETER

LENGTH EXAMPLES:
005=0.5 m
010=1 m
150=15 m
T100=100 m

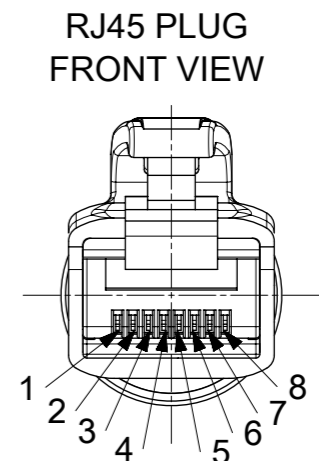
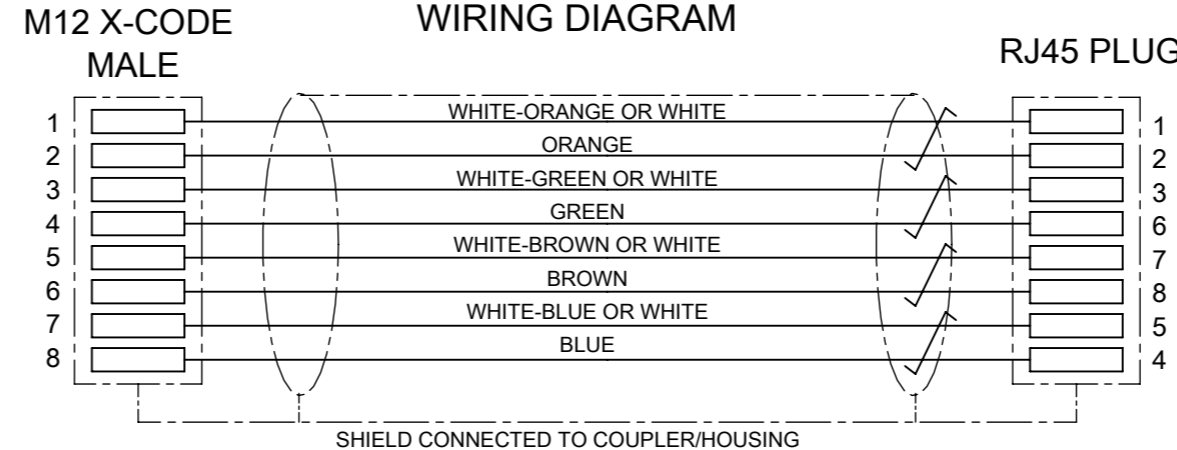
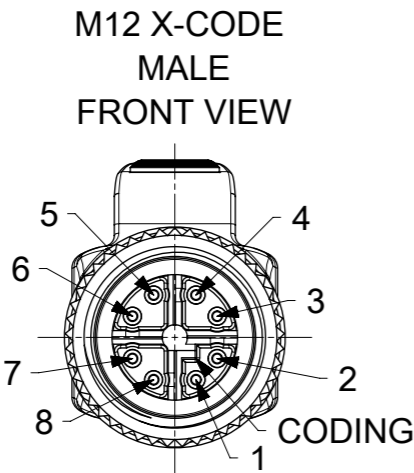
H= 2 PCS. OF I/D Carrier



ARROW IN LINE WITH THE CODING
BRAD LOGO ON OTHER SIDE

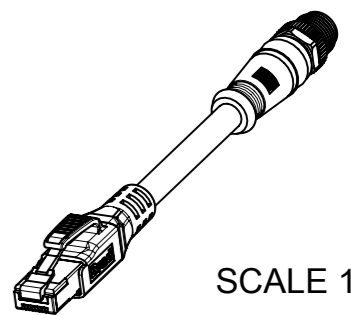
ID CARRIER ONLY FOR
ENGINEERING NUMBERS
WITH THE SUFFIX "H"

MOLEX LOGO ON ONE SIDE
BRAD LOGO ON OTHER SIDE



BILL OF MATERIAL

| ITEM | QTY | DESCRIPTION | MATERIAL | FINISH/COLOR |
|------|---------------|----------------------------|-----------------|---------------------|
| 1 | 1 | COUPLING NUT | BRASS | Ni PLATED |
| 2 | 1 | INSERT | PA | BLACK |
| 3 | 8 | CONTACT M12 XC MALE | BRASS | Au PLATED |
| 4 | 1 | SHIELDING CROSS | Zn DIE-CAST | - |
| 5 | 1 | SHIELDING SHELL | BRASS | Ni PLATED |
| 6 | - | OVERMOULD | TPU | BLACK |
| 7 | 1 | CABLE 4X(2X AWG26/7) CAT 7 | TPE | GREEN |
| 8 | 1 | PLUG RJ45 | - | - |
| 9 | 8 | CONTACT RJ45 | PHOSPHOR BRONZE | SELECTIVE Au PLATED |
| 10 | SEE PN MATRIX | ID CARRIER | PVC | TRANSPARENT |
| 11 | 1 | LABEL 2.0X1.75 | VINYL | YELLOW |



SCALE 1:2

| | | | | | |
|--------------------|---|--------------------------------|------------|----------------------------|-----------------|
| FUNCTIONAL SYMBOLS | THIS DRAWING CONTAINS INFORMATION THAT IS PROPRIETARY TO MOLEX ELECTRONIC TECHNOLOGIES, LLC AND SHOULD NOT BE USED WITHOUT WRITTEN PERMISSION | CURRENT REV DESC: NOTE CHANGED | | molex | |
| | GENERAL TOLERANCES (UNLESS SPECIFIED) | EC NO: 692351 | 2022/01/19 | | |
| FUNCTIONAL SYMBOLS | ANGULAR TOL ± 1.0° | DRWN: ARPITT | 2022/01/25 | PRODUCT CUSTOMER DRAWING | |
| DIVISIONAL SYMBOLS | 4 PLACES ± | CHK'D: RSILLER | 2022/01/25 | DOCUMENT NUMBER | |
| | 3 PLACES ± | APPR: RSILLER | 2022/01/25 | DOC TYPE DOC PART REVISION | |
| | 2 PLACES ± 0.05 | INITIAL REVISION: | | 1203410874 | |
| | 1 PLACE ± 0.3 | DRWN: RSCHEBER | 2019/05/14 | PSD 000 A3 | |
| | 0 PLACES ± 0.5 | APPR: RSILLER | 2021/03/16 | SHEET NUMBER | |
| | DRAFT WHERE APPLICABLE MUST REMAIN WITHIN DIMENSIONS | THIRD ANGLE PROJECTION | DRAWING | SERIES | MATERIAL NUMBER |
| | | | A3-SIZE | 120341 | SEE TABLE 1 |
| | | | | | CUSTOMER |
| | | | | | GENERAL MARKET |
| | | | | | 1 OF 2 |


TABLE 1

| MOLEX P/N | ENGINEERING NO. | DESCRIPTION | LENGTH |
|-----------------|-----------------|-------------------------------------|--------|
| 1203410874 | E26E06021M005 | M12 CAT6A M/RJ45 ST/ST TPE GREEN | 500 |
| 1203410875 | E26E06021M010 | M12 CAT6A M/RJ45 ST/ST TPE GREEN | 1000 |
| 1203410876 | E26E06021M020 | M12 CAT6A M/RJ45 ST/ST TPE GREEN | 2000 |
| 1203410877 | E26E06021M030 | M12 CAT6A M/RJ45 ST/ST TPE GREEN | 3000 |
| 1203410878 | E26E06021M040 | M12 CAT6A M/RJ45 ST/ST TPE GREEN | 4000 |
| 1203410879 | E26E06021M050 | M12 CAT6A M/RJ45 ST/ST TPE GREEN | 5000 |
| 1203410880 | E26E06021M060 | M12 CAT6A M/RJ45 ST/ST TPE GREEN | 6000 |
| 1203410897 | E26E06021M070 | M12 CAT6A M/RJ45 ST/ST TPE GREEN | 7000 |
| 1203410881 | E26E06021M080 | M12 CAT6A M/RJ45 ST/ST TPE GREEN | 8000 |
| 1203410898 | E26E06021M090 | M12 CAT6A M/RJ45 ST/ST TPE GREEN | 9000 |
| 1203410882 | E26E06021M100 | M12 CAT6A M/RJ45 ST/ST TPE GREEN | 10000 |
| 1203410883 | E26E06021M150 | M12 CAT6A M/RJ45 ST/ST TPE GREEN | 15000 |
| 1203410884 | E26E06021M200 | M12 CAT6A M/RJ45 ST/ST TPE GREEN | 20000 |
| WITH ID CARRIER | | | |
| 1203411039 | E26E06021M010H | M12 CAT6A M/RJ45 ST/ST TPE GREEN ID | 1000 |
| 1203411040 | E26E06021M020H | M12 CAT6A M/RJ45 ST/ST TPE GREEN ID | 2000 |
| 1203411041 | E26E06021M030H | M12 CAT6A M/RJ45 ST/ST TPE GREEN ID | 3000 |
| 1203411042 | E26E06021M040H | M12 CAT6A M/RJ45 ST/ST TPE GREEN ID | 4000 |
| 1203411043 | E26E06021M050H | M12 CAT6A M/RJ45 ST/ST TPE GREEN ID | 5000 |
| 1203411095 | E26E06021M060H | M12 CAT6A M/RJ45 ST/ST TPE GREEN ID | 6000 |
| 1203411097 | E26E06021M080H | M12 CAT6A M/RJ45 ST/ST TPE GREEN ID | 8000 |
| 1203411096 | E26E06021M070H | M12 CAT6A M/RJ45 ST/ST TPE GREEN ID | 7000 |
| 1203411004 | E26E06021M100H | M12 CAT6A M/RJ45 ST/ST TPE GREEN ID | 10000 |
| 1203411098 | E26E06021M120H | M12 CAT6A M/RJ45 ST/ST TPE GREEN ID | 12000 |
| 1203411005 | E26E06021M150H | M12 CAT6A M/RJ45 ST/ST TPE GREEN ID | 15000 |
| 1203411044 | E26E06021M200H | M12 CAT6A M/RJ45 ST/ST TPE GREEN ID | 20000 |
| 1203411099 | E26E06021M250H | M12 CAT6A M/RJ45 ST/ST TPE GREEN ID | 25000 |
| 1203411045 | E26E06021M300H | M12 CAT6A M/RJ45 ST/ST TPE GREEN ID | 30000 |
| 1203411046 | E26E06021M350H | M12 CAT6A M/RJ45 ST/ST TPE GREEN ID | 35000 |
| 1203411047 | E26E06021M400H | M12 CAT6A M/RJ45 ST/ST TPE GREEN ID | 40000 |
| 1203410989 | E26E06021M450H | M12 CAT6A M/RJ45 ST/ST TPE GREEN ID | 45000 |
| 1203411048 | E26E06021M500H | M12 CAT6A M/RJ45 ST/ST TPE GREEN ID | 50000 |
| 1203411049 | E26E06021M550H | M12 CAT6A M/RJ45 ST/ST TPE GREEN ID | 55000 |
| 1203410990 | E26E06021M600H | M12 CAT6A M/RJ45 ST/ST TPE GREEN ID | 60000 |
| 1203410991 | E26E06021M650H | M12 CAT6A M/RJ45 ST/ST TPE GREEN ID | 65000 |
| 1203410992 | E26E06021M700H | M12 CAT6A M/RJ45 ST/ST TPE GREEN ID | 70000 |
| 1203411050 | E26E06021M750H | M12 CAT6A M/RJ45 ST/ST TPE GREEN ID | 75000 |
| 1203410993 | E26E06021M800H | M12 CAT6A M/RJ45 ST/ST TPE GREEN ID | 80000 |
| 1203410994 | E26E06021M850H | M12 CAT6A M/RJ45 ST/ST TPE GREEN ID | 85000 |

NOTES:
 VOLTAGE RATING: 30 V A.C. OR 42 V D.C.
 CURRENT RATING: 0.5 A
 TEMPERATURE RATING:
 STATIC: -40 °C TO 80 °C
 DYNAMIC: -25 °C TO 80 °C
 IP RATING:
 M12 SIDE IP 67 (IN MATED AND LOCKED CONDITION)
 RJ45 SIDE IP 20
 TRANSMISSION CHARACTERISTICS ACCORDING TO ISO/IEC 11801 CLASS E_A CHANNEL,
 WITH INSERTION LOSS BEING IGNORED FOR CABLE LENGTHS <1 m OR >65 m
 PACKAGING: CORDSETS ARE PACKED IN A POLYBAG

CABLE LENGTH TOLERANCES

| LENGTH | TOLERANCE |
|--------------|------------|
| 0 m - 1 m | +40 mm |
| >1 m - 5 m | +60 mm |
| >5 m - 10 m | +80 mm |
| >10 m - 20 m | +140 mm |
| >20 m - 30 m | +160 mm |
| >30 m | +1% length |

| | | | | |
|--------------------|---|------------------------|---|--------------------------------------|
| FUNCTIONAL SYMBOLS | THIS DRAWING CONTAINS INFORMATION THAT IS PROPRIETARY TO MOLEX ELECTRONIC TECHNOLOGIES, LLC AND SHOULD NOT BE USED WITHOUT WRITTEN PERMISSION | | CURRENT REV DESC: NOTE CHANGED | |
| ▽/A = 0 | mm | SCALE 1:1 |  CSE M12 CAT6A RJ45 8P MA STR TPE XM SHLD PRODUCT CUSTOMER DRAWING | |
| ▽/E = 0 | GENERAL TOLERANCES (UNLESS SPECIFIED) | | | |
| ▽/P = 0 | ANGULAR TOL ± 1.0° | | | |
| DIVISIONAL SYMBOLS | 4 PLACES ± | EC NO: 692351 | 2022/01/19 | DOCUMENT NUMBER 1203410874 |
| | 3 PLACES ± | DRWN: ARPITT | 2022/01/25 | |
| | 2 PLACES ± 0.05 | CHK'D: RSILLER | 2022/01/25 | DOC TYPE DOC PART REVISION |
| | 1 PLACE ± 0.3 | APPR: RSILLER | | PSD 000 A3 |
| | 0 PLACES ± 0.5 | INITIAL REVISION: | 2019/05/14 | MATERIAL NUMBER SEE TABLE 1 |
| | | DRWN: RSCHEBER | 2021/03/16 | |
| | | APPR: RSILLER | | GENERAL MARKET |
| | DRAFT WHERE APPLICABLE MUST REMAIN WITHIN DIMENSIONS | THIRD ANGLE PROJECTION | DRAWING A3-SIZE | SHEET NUMBER 2 OF 2 |
| | | | SERIES 120341 | |