

DATA SHEET

For a complete data sheet, please also download:

- The IC06 74HC/HCT/HCU/HCMOS Logic Family Specifications
- The IC06 74HC/HCT/HCU/HCMOS Logic Package Information
- The IC06 74HC/HCT/HCU/HCMOS Logic Package Outlines

74HC/HCT160

Presettable synchronous BCD
decade counter; asynchronous
reset

Product specification
File under Integrated Circuits, IC06

December 1990

Pre-settable synchronous BCD decade counter; asynchronous reset

74HC/HCT160

FEATURES

- Synchronous counting and loading
- Two count enable inputs for n-bit cascading
- Positive-edge triggered clock
- Asynchronous reset
- Output capability: standard
- I_{CC} category: MSI

GENERAL DESCRIPTION

The 74HC/HCT160 are high-speed Si-gate CMOS devices and are pin compatible with low power Schottky TTL (LSTTL). They are specified in compliance with JEDEC standard no. 7A.

The 74HC/HCT160 are synchronous pre-settable decade counters which feature an internal look-ahead carry and can be used for high-speed counting.

Synchronous operation is provided by having all flip-flops clocked simultaneously on the positive-going edge of the clock (CP).

The outputs (Q₀ to Q₃) of the counters may be preset to a HIGH or LOW level. A LOW level at the parallel enable

input (\overline{PE}) disables the counting action and causes the data at the data inputs (D₀ to D₃) to be loaded into the counter on the positive-going edge of the clock (providing that the set-up and hold time requirements for \overline{PE} are met). Preset takes place regardless of the levels at count enable inputs (CEP and CET).

A LOW level at the master reset input (\overline{MR}) sets all four outputs of the flip-flops (Q₀ to Q₃) to LOW level regardless of the levels at CP, \overline{PE} , CET and CEP inputs (thus providing an asynchronous clear function).

The look-ahead carry simplifies serial cascading of the counters. Both count enable inputs (CEP and CET) must be HIGH to count. The CET input is fed forward to enable the terminal count output (TC). The TC output thus enabled will produce a HIGH output pulse of a duration approximately equal to a HIGH level output of Q₀. This pulse can be used to enable the next cascaded stage.

The maximum clock frequency for the cascaded counters is determined by the CP to TC propagation delay and CEP to CP set-up time, according to the following formula:

$$f_{\max} = \frac{1}{t_{P(\max)} (\text{CP to TC}) + t_{\text{SU}} (\text{CEP to CP})}$$

QUICK REFERENCE DATA

GND = 0 V; T_{amb} = 25 °C; t_r = t_f = 6 ns

| SYMBOL | PARAMETER | CONDITIONS | TYPICAL | | UNIT |
|------------------|--|--|---------|-----|------|
| | | | HC | HCT | |
| t _{PHL} | propagation delay CP to Q _n CP to TC \overline{MR} to Q _n \overline{MR} to TC CET to TC | C _L = 15 pF; V _{CC} = 5 V | 19 | 21 | ns |
| | | | 21 | 24 | ns |
| | | | 21 | 23 | ns |
| | | | 21 | 26 | ns |
| | | | 14 | 14 | ns |
| t _{PLH} | propagation delay CP to Q _n CP to TC CET to TC | | 19 | 21 | ns |
| | | | 21 | 20 | ns |
| | | | 14 | 7 | ns |
| | | | 61 | 31 | MHz |
| f _{max} | maximum clock frequency | | | | |
| C _I | input capacitance | | 3.5 | 3.5 | pF |
| C _{PD} | power dissipation capacitance per package | notes 1 and 2 | 39 | 34 | pF |

Notes

1. C_{PD} is used to determine the dynamic power dissipation (P_D in μW):

$$P_D = C_{PD} \times V_{CC}^2 \times f_i + \sum (C_L \times V_{CC}^2 \times f_o)$$

where:

f_i = input frequency in MHz

f_o = output frequency in MHz

∑ (C_L × V_{CC}² × f_o) = sum of outputs

C_L = output load capacitance in pF

V_{CC} = supply voltage in V

2. For HC the condition is
V_I = GND to V_{CC}
For HCT the condition is
V_I = GND to V_{CC} – 1.5 V

Presettable synchronous BCD decade counter; asynchronous reset

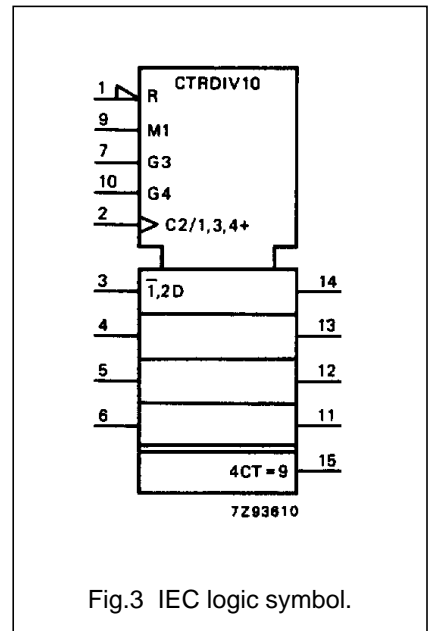
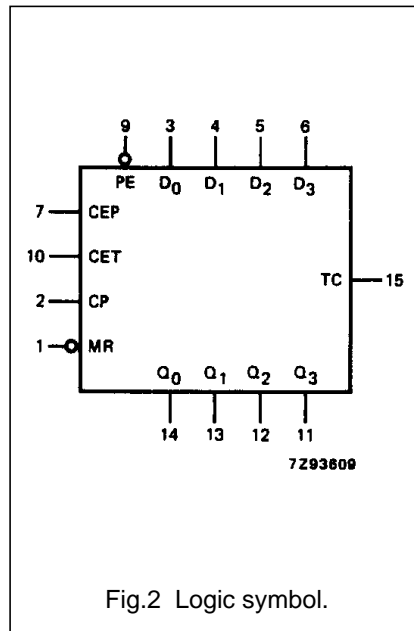
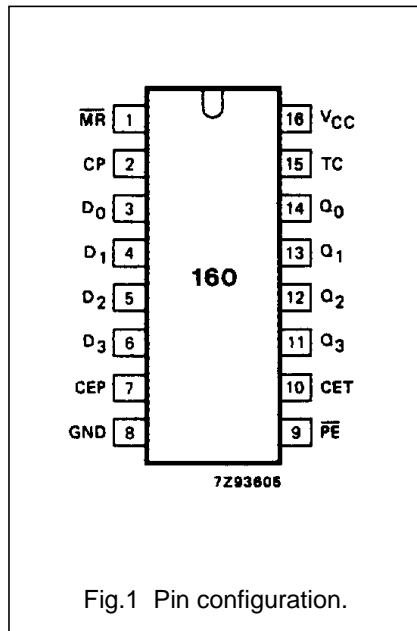
74HC/HCT160

ORDERING INFORMATION

See "74HC/HCT/HCU/HCMOS Logic Package Information".

PIN DESCRIPTION

| PIN NO. | SYMBOL | NAME AND FUNCTION |
|----------------|----------------------------------|---|
| 1 | \overline{MR} | asynchronous master reset (active LOW) |
| 2 | CP | clock input (LOW-to-HIGH, edge-triggered) |
| 3, 4, 5, 6 | D ₀ to D ₃ | data inputs |
| 7 | CEP | count enable input |
| 8 | GND | ground (0 V) |
| 9 | \overline{PE} | parallel enable input (active LOW) |
| 10 | CET | count enable carry input |
| 14, 13, 12, 11 | Q ₀ to Q ₃ | flip-flop outputs |
| 15 | TC | terminal count output |
| 16 | V _{CC} | positive supply voltage |



Pre-settable synchronous BCD decade counter; asynchronous reset

74HC/HCT160

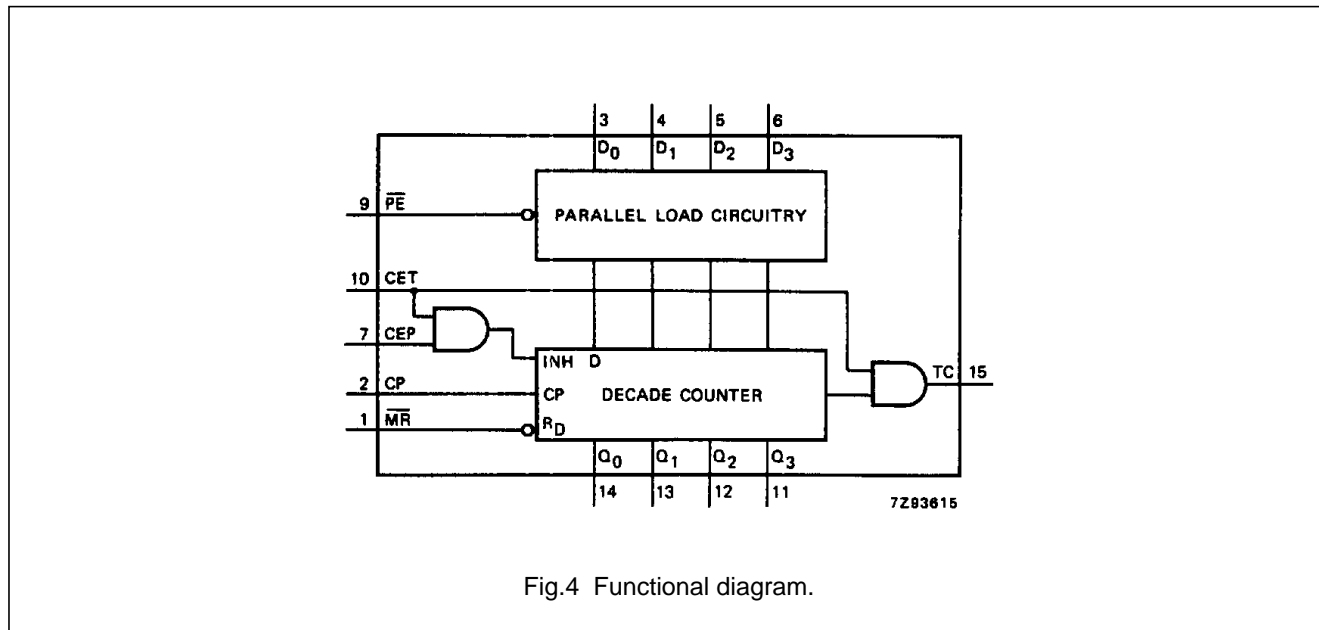


Fig.4 Functional diagram.

FUNCTION TABLE

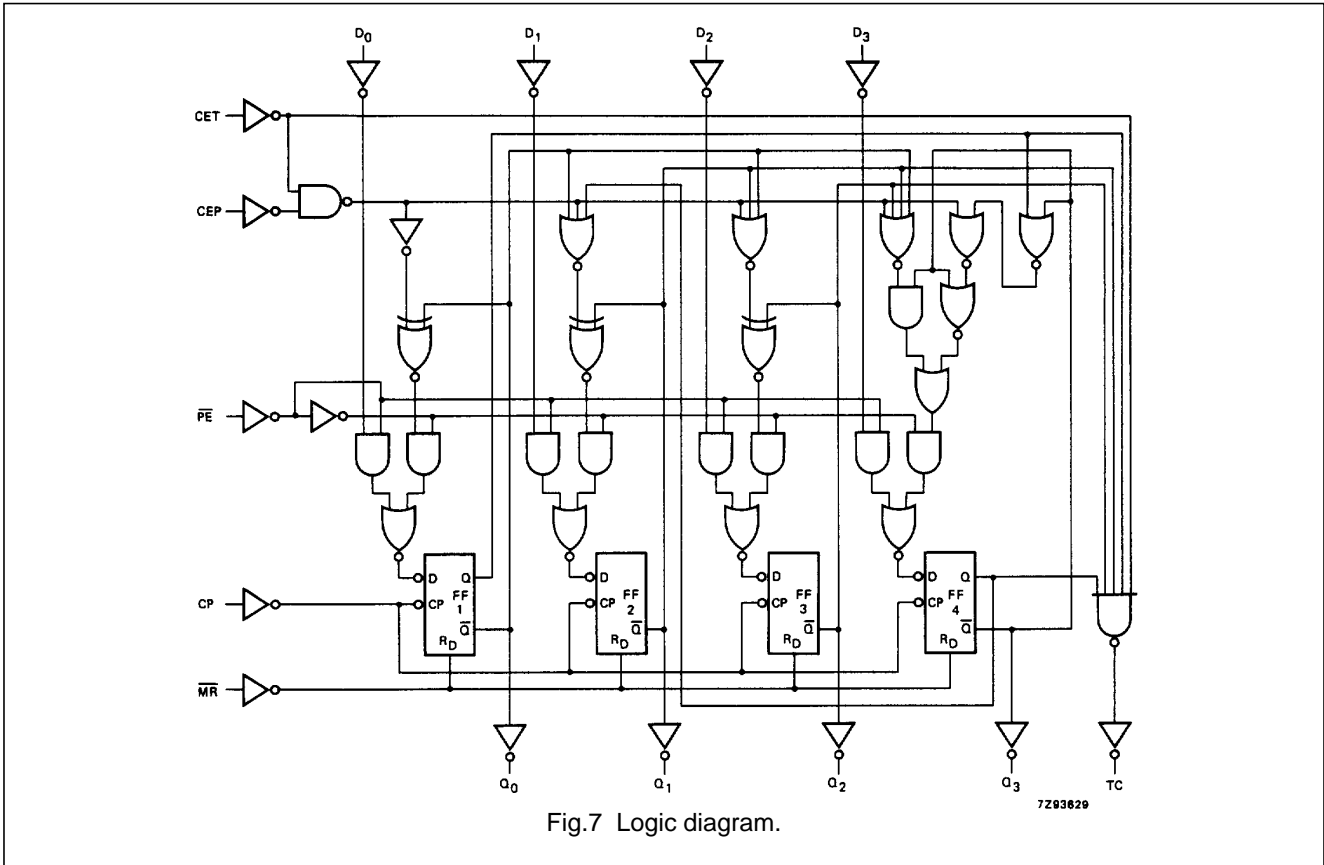
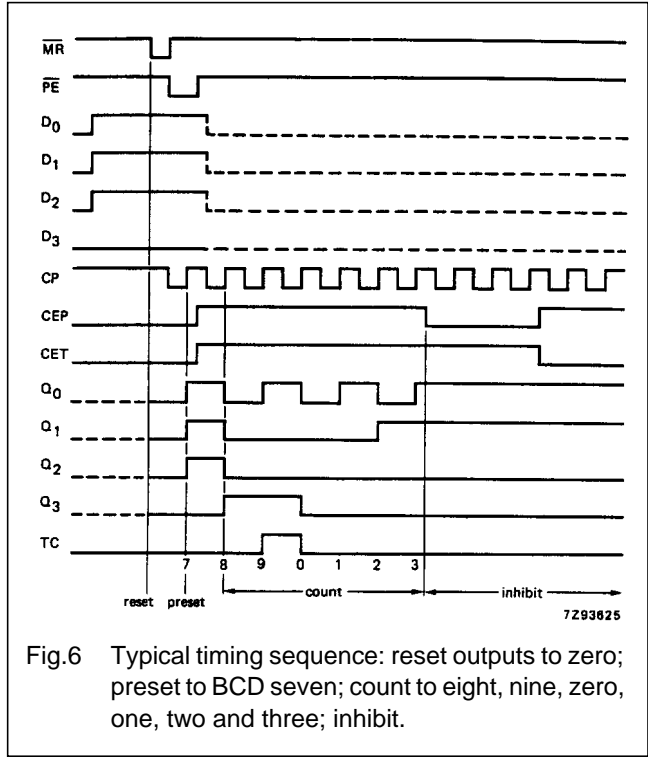
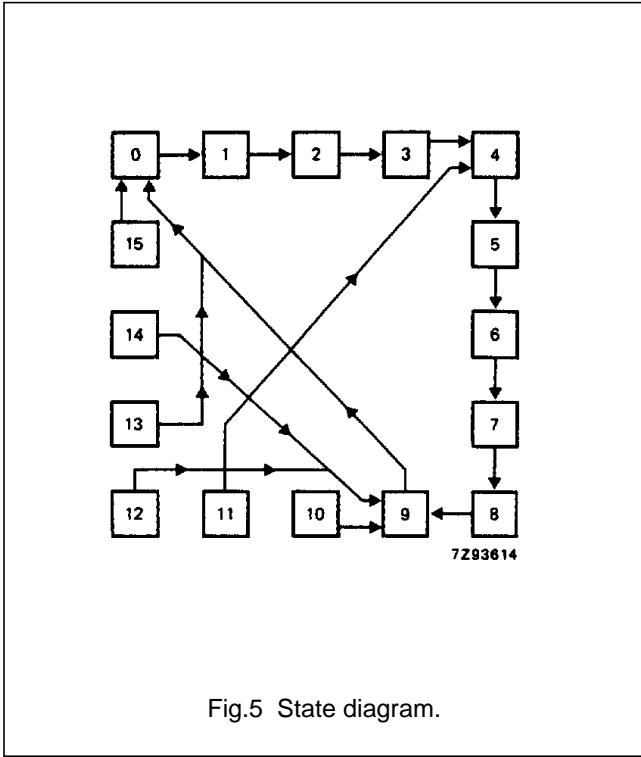
| OPERATING MODE | INPUTS | | | | | | OUTPUTS | |
|----------------------|-----------------|----|-----|-----|-----------------|-------|---------|-----|
| | \overline{MR} | CP | CEP | CET | \overline{PE} | D_n | Q_n | TC |
| reset (clear) | L | X | X | X | X | X | L | L |
| parallel load | H | ↑ | X | X | l | l | L | L |
| | H | ↑ | X | X | l | h | H | (1) |
| count | H | ↑ | h | h | h | X | count | (1) |
| hold (do nothing) | H | X | l | X | h | X | q_n | (1) |
| | H | X | X | l | h | X | q_n | L |

Notes

- The TC output is HIGH when CET is HIGH and the counter is at terminal count (HLLH).
 H = HIGH voltage level
 h = HIGH voltage level one set-up time prior to the LOW-to-HIGH CP transition
 L = LOW voltage level
 l = LOW voltage level one set-up time prior to the LOW-to-HIGH CP transition
 q = lower case letters indicate the state of the referenced output one set-up time prior to the LOW-to-HIGH CP transition
 X = don't care
 ↑ = LOW-to-HIGH CP transition

Presettable synchronous BCD decade counter; asynchronous reset

74HC/HCT160



Presettable synchronous BCD decade counter; asynchronous reset

74HC/HCT160

DC CHARACTERISTICS FOR 74HC

For the DC characteristics see *"74HC/HCT/HCU/HCMOS Logic Family Specifications"*.

Output capability: standard

I_{CC} category: MSI

AC CHARACTERISTICS FOR 74HC

GND = 0 V; t_r = t_f = 6 ns; C_L = 50 pF

| SYMBOL | PARAMETER | T _{amb} (°C) | | | | | | UNIT | TEST CONDITIONS | | |
|-------------------------------------|---|-----------------------|----------------|-----------------|-----------------|-----------------|-----------------|-----------------|------------------------|-------------------|---------------|
| | | 74HC | | | | | | | V _{CC} (V) | WAVEFORMS | |
| | | +25 | | | -40 to +85 | | -40 to +125 | | | | |
| | | min. | typ. | max. | min. | max. | min. | | | | max. |
| t _{PHL} / t _{PLH} | propagation delay CP to Q _n | | 61 22 18 | 185 37 31 | | 230 46 39 | | 280 56 48 | ns | 2.0 4.5 6.0 | Fig. 8 |
| t _{PHL} / t _{PLH} | propagation delay CP to TC | | 69 25 20 | 215 43 31 | | 270 54 46 | | 325 65 55 | ns | 2.0 4.5 6.0 | Fig. 8 |
| t _{PHL} | propagation delay MR to Q _n | | 69 25 20 | 210 42 36 | | 265 53 45 | | 315 63 54 | ns | 2.0 4.5 6.0 | Fig. 9 |
| t _{PHL} | propagation delay MR to TC | | 69 25 20 | 220 44 37 | | 275 55 47 | | 330 66 56 | ns | 2.0 4.5 6.0 | Fig. 9 |
| t _{PHL} / t _{PLH} | propagation delay CET to TC | | 47 17 14 | 150 30 26 | | 190 38 33 | | 225 45 38 | ns | 2.0 4.5 6.0 | Fig. 10 |
| t _{THL} / t _{TLH} | output transition time | | 19 7 6 | 75 15 13 | | 95 19 16 | | 110 22 19 | ns | 2.0 4.5 6.0 | Figs 8 and 10 |
| t _w | clock pulse width HIGH or LOW | 80 16 14 | 22 8 6 | | 100 20 17 | | 120 24 20 | | ns | 2.0 4.5 6.0 | Fig. 8 |
| t _w | master reset pulse width LOW | 80 16 14 | 28 10 8 | | 100 20 17 | | 120 24 20 | | ns | 2.0 4.5 6.0 | Fig. 9 |
| t _{rem} | removal time MR to CP | 100 20 17 | 30 11 9 | | 125 25 21 | | 150 30 26 | | ns | 2.0 4.5 6.0 | Fig. 9 |
| t _{su} | set-up time D _n to CP | 80 16 14 | 22 8 6 | | 100 20 17 | | 120 24 20 | | ns | 2.0 4.5 6.0 | Fig. 11 |
| t _{su} | set-up time PE to CP | 135 27 23 | 41 15 12 | | 170 34 29 | | 205 41 35 | | ns | 2.0 4.5 6.0 | Fig. 11 |

Presettable synchronous BCD decade
counter; asynchronous reset

74HC/HCT160

| SYMBOL | PARAMETER | T _{amb} (°C) | | | | | | | UNIT | TEST CONDITIONS | |
|------------------|---|-----------------------|-------------------|------|-----------------|------|-----------------|------|------|------------------------|----------------|
| | | 74HC | | | | | | | | V _{CC} (V) | WAVEFORMS |
| | | +25 | | | -40 to +85 | | -40 to +125 | | | | |
| | | min. | typ. | max. | min. | max. | min. | max. | | | |
| t _{su} | set-up time CEP, CET to CP | 200 40 34 | 63 23 18 | | 250 50 43 | | 300 60 51 | | ns | 2.0 4.5 6.0 | Fig. 12 |
| t _h | hold time D _n to CP | 0 0 0 | -17 -6 -5 | | 0 0 0 | | 0 0 0 | | ns | 2.0 4.5 6.0 | Figs 11 and 12 |
| t _h | hold time $\overline{\text{PE}}$ to CP | 0 0 0 | -41 -15 -12 | | 0 0 0 | | 0 0 0 | | ns | 2.0 4.5 6.0 | Figs 11 and 12 |
| t _h | hold time CEP, CET to CP | 0 0 0 | -58 -21 -17 | | 0 0 0 | | 0 0 0 | | ns | 2.0 4.5 6.0 | Figs 11 and 12 |
| f _{max} | maximum clock pulse frequency | 6.0 30 35 | 18 55 66 | | 4.8 24 28 | | 4.0 20 24 | | MHz | 2.0 4.5 6.0 | Fig. 8 |

Presettable synchronous BCD decade
counter; asynchronous reset

74HC/HCT160

DC CHARACTERISTICS FOR 74HCT

For the DC characteristics see *"74HC/HCT/HCU/HCMOS Logic Family Specifications"*.

Output capability: standard

I_{CC} category: MSI

Note to HCT types

The value of additional quiescent supply current (ΔI_{CC}) for unit load of 1 is given in the family specifications. To determine ΔI_{CC} per input, multiply this value by the unit load coefficient shown in the table below.

| INPUT | UNIT LOAD COEFFICIENT |
|-----------------|-----------------------|
| \overline{MR} | 0.95 |
| CP | 0.80 |
| CEP | 0.25 |
| D_n | 0.25 |
| CET | 1.05 |
| \overline{PT} | 0.30 |

Presettable synchronous BCD decade counter; asynchronous reset

74HC/HCT160

AC CHARACTERISTICS FOR 74HCT

GND = 0 V; $t_r = t_f = 6$ ns; $C_L = 50$ pF

| SYMBOL | PARAMETER | T_{amb} (°C) | | | | | | UNIT | TEST CONDITIONS | | |
|-------------------|--|----------------|------|------|------------|------|-------------|------|-----------------|-----------|----------------|
| | | 74HCT | | | | | | | V_{CC} (V) | WAVEFORMS | |
| | | +25 | | | -40 to +85 | | -40 to +125 | | | | |
| | | min. | typ. | max. | min. | max. | min. | | | | max. |
| t_{PHL}/t_{PLH} | propagation delay CP to Q_n | | 25 | 43 | | 54 | | 65 | ns | 4.5 | Fig. 8 |
| t_{PHL} | propagation delay CP to TC | | 28 | 48 | | 60 | | 72 | ns | 4.5 | Fig. 8 |
| t_{PLH} | propagation delay CP to TC | | 23 | 39 | | 49 | | 59 | ns | 4.5 | Fig. 8 |
| t_{PHL} | propagation delay MR to Q_n | | 27 | 50 | | 63 | | 75 | ns | 4.5 | Fig. 9 |
| t_{PHL} | propagation delay \overline{MR} to TC | | 30 | 50 | | 63 | | 75 | ns | 4.5 | Fig. 9 |
| t_{PHL} | propagation delay CET to TC | | 17 | 35 | | 44 | | 53 | ns | 4.5 | Fig. 10 |
| t_{PLH} | propagation delay CET to TC | | 9 | 17 | | 21 | | 26 | ns | 4.5 | Fig. 10 |
| t_{THL}/t_{TLH} | output transition time | | 7 | 15 | | 19 | | 22 | ns | 4.5 | Figs 8 and 10 |
| t_W | clock pulse width HIGH or LOW | 16 | 8 | | 20 | | 24 | | ns | 4.5 | Fig. 8 |
| t_W | master reset pulse width LOW | 20 | 11 | | 25 | | 30 | | ns | 4.5 | Fig. 9 |
| t_{rem} | removal time MR to CP | 20 | 9 | | 25 | | 30 | | ns | 4.5 | Fig. 9 |
| t_{su} | set-up time D_n to CP | 18 | 10 | | 25 | | 30 | | ns | 4.5 | Fig. 11 |
| t_{su} | set-up time \overline{PE} to CP | 30 | 18 | | 44 | | 53 | | ns | 4.5 | Fig. 11 |
| t_{su} | set-up time CEP, CET to CP | 50 | 30 | | 63 | | 75 | | ns | 4.5 | Fig. 12 |
| t_h | hold time D_n to CP | 0 | -8 | | 0 | | 0 | | ns | 4.5 | Figs 11 and 12 |
| t_h | hold time \overline{PE} to CP | 0 | -13 | | 0 | | 0 | | ns | 4.5 | Figs 11 and 12 |
| t_h | hold time CEP, CET to CP | 0 | -21 | | 0 | | 0 | | ns | 4.5 | Figs 11 and 12 |
| f_{max} | maximum clock pulse frequency | 16 | 28 | | 13 | | 11 | | MHz | 4.5 | Fig. 8 |

PACKAGE OUTLINES

See "74HC/HCT/HCU/HCMOS Logic Package Outlines".

74HC/HCT160; Presettable synchronous BCD decade counter; asynchronous reset

Information as of 2003-04-22

My.Semiconductors.COM.
Your personal service from
Philips Semiconductors.
Please register now !

Stay informed

Use right mouse button to
download datasheet

Download datasheet

[Products](#)[MultiMarket
Semiconductors](#)[Product Selector](#)[Catalog by](#)[Function](#)[Catalog by](#)[System](#)[Cross-reference](#)[Packages](#)[End of Life
information](#)[Distributors Go
Here!](#)[Models](#)[SoC solutions](#)

| | | | |
|---|-----------------------------|-------------------------------------|---------------------------------|
| General description | Features | Applications | Datasheet |
| Block diagram | Buy online | Support & tools | Email/translate |
| Products & packages | Parametrics | Similar products | |

General description

The 74HC/HCT160 are high-speed Si-gate CMOS devices and are pin compatible with low power Schottky TTL (LSTTL). They are specified in compliance with JEDEC standard no. 7A.

The 74HC/HCT160 are synchronous presettable decade counters which feature an internal look-ahead carry and can be used for high-speed counting.

Synchronous operation is provided by having all flip-flops clocked simultaneously on the positive-going edge of the clock (CP).

The outputs (Q_0 to Q_3) of the counters may be preset to a HIGH or LOW level. A LOW level at the parallel enable input (PE) disables the counting action and causes the data at the data inputs (D_0 to D_3) to be loaded into the counter on the positive-going edge of the clock (providing that the set-up and hold time requirements for PE are met). Preset takes place regardless of the levels at count enable inputs (CEP and CET).

A LOW level at the master reset input (MR) sets all four outputs of the flip-flops (Q_0 to Q_3) to LOW level regardless of the levels at CP, PE, CET and CEP inputs (thus providing an asynchronous clear function).

The look-ahead carry simplifies serial cascading of the counters. Both count enable inputs (CEP and CET) must be HIGH to count. The CET input is fed forward to enable the terminal count output (TC). The TC output thus enabled will produce a HIGH output pulse of a duration approximately equal to a HIGH level output of Q_0 . This pulse can be used to enable the next cascaded stage.

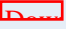
The maximum clock frequency for the cascaded counters is determined by the CP to TC propagation delay and CEP to CP set-up time, according to the following formula:

$$f_{\max} = (1) / (t_{P(\max)} (\text{CP to TC}) + t_{SU} (\text{CEP to CP}))$$

□ Features

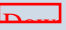
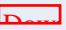

- Synchronous counting and loading
- Two count enable inputs for n-bit cascading
- Positive-edge triggered clock
- Asynchronous reset
- Output capability: standard
- I_{CC} category: MSI

□ Datasheet

| <u>Type number</u> | <u>Title</u> | <u>Publication release date</u> | <u>Datasheet status</u> | <u>Page count</u> | <u>File size (kB)</u> | <u>Datasheet</u> |
|--------------------|--|---------------------------------|-------------------------|-------------------|-----------------------|--|
| 74HC/HCT160 | Presettable synchronous BCD decade counter; asynchronous reset | 12/1/1990 | Product specification | 9 | 60 |  Download |

Additional datasheet info

To complete the device datasheet with package and family information, also download the following PDF files. The "Logic Package Information" document is required to determine in which package(s) this device is available.

| <u>Document</u> | <u>Description</u> |
|---|---|
| 1  HCT_FAMILY_SPECIFICATIONS | HC/T Family Specifications, The IC06 74HC/HCT/HCMOS Logic Family Specifications |
| 2  HCT_PACKAGE_INFO | HC/T Package Info, The IC06 74HC/HCT/HCMOS Logic Package Information |
| 3  HCT_PACKAGE_OUTLINES | HC/T Package Outlines, The IC06 74HC/HCT/HCMOS Logic Package Outlines |

□ Parametrics

| <u>Type number</u> | <u>Package</u> | <u>Description</u> | <u>Propagation Delay(ns)</u> | <u>Voltage</u> | <u>No. of Pins</u> | <u>Power Dissipation Considerations</u> | <u>Logic Switching Levels</u> | <u>Output Drive Capability</u> |
|--------------------|--------------------------------------|--|------------------------------|----------------|--------------------|---|-------------------------------|--------------------------------|
| 74HC160D | SOT109 (SO16) | Presettable Synchronous BCD Decade Counter; Asynchronous Reset | 15 | 5 Volts + | 16 | Low Power or Battery Applications | CMOS | Low |
| 74HC160DB | SOT338-1 (SSOP16) | Presettable Synchronous BCD Decade Counter; Asynchronous Reset | 15 | 5 Volts + | 16 | Low Power or Battery Applications | CMOS | Low |

| | | | | | | | | |
|------------|---------------------------------------|--|----|-----------|----|-----------------------------------|------|-----|
| 74HC160N | SOT38-1 (DIP16) | Presetable Synchronous BCD Decade Counter; Asynchronous Reset | 15 | 5 Volts + | 16 | Low Power or Battery Applications | CMOS | Low |
| 74HC160PW | SOT403-1 (TSSOP16) | Presetable Synchronous BCD Decade Counter; Asynchronous Reset | 15 | 5 Volts + | 16 | Low Power or Battery Applications | CMOS | Low |
| 74HCT160D | SOT109 (SO16) | Presetable Synchronous BCD Decade Counter; Asynchronous Reset; TTL Enabled | 15 | 5 Volts + | 16 | Low Power or Battery Applications | TTL | Low |
| 74HCT160N | SOT38-1 (DIP16) | Presetable Synchronous BCD Decade Counter; Asynchronous Reset; TTL Enabled | 15 | 5 Volts + | 16 | Low Power or Battery Applications | TTL | Low |
| 74HCT160PW | SOT403-1 (TSSOP16) | Presetable Synchronous BCD Decade Counter; Asynchronous Reset; TTL Enabled | 15 | 5 Volts + | 16 | Low Power or Battery Applications | TTL | Low |

□ Products, packages, availability and ordering

| <u>Type number</u> | <u>North American type number</u> | <u>Ordering code (12NC)</u> | <u>Marking/Packing info</u> | <u>Package</u> | <u>Device status</u> | <u>Buy online</u> |
|--------------------|-----------------------------------|-----------------------------|--|--------------------------------------|----------------------|---|
| 74HC160D | 74HC160D | 9337 145 10652 | Standard Marking * Bulk Pack, CECC | SOT109 (SO16) | Full production | order this <input type="checkbox"/> |
| | 74HC160D-T | 9337 145 10653 | Standard Marking * Reel Pack, SMD, 13", CECC | SOT109 (SO16) | Full production | order this <input type="checkbox"/> |
| 74HC160DB | 74HC160DB | 9351 896 80112 | Standard Marking * Bulk Pack | SOT338-1 (SSOP16) | Full production | order this <input type="checkbox"/> |
| | 74HC160DB-T | 9351 896 80118 | Standard Marking * Reel Pack, SMD, 13" | SOT338-1 (SSOP16) | Full production | order this <input type="checkbox"/> |
| 74HC160N | 74HC160N | 9336 693 60652 | Standard Marking * Bulk Pack, CECC | SOT38-1 (DIP16) | Full production | order this <input type="checkbox"/> |

| | | | | | | |
|------------|--------------|----------------|--|---------------------------------------|-----------------|---|
| 74HC160PW | 74HC160PW | 9352 624 37112 | Standard Marking * Bulk Pack | SOT403-1 (TSSOP16) | Full production | order this <input type="checkbox"/> |
| | 74HC160PW-T | 9352 624 37118 | Standard Marking * Reel Pack, SMD, 13" | SOT403-1 (TSSOP16) | Full production | order this <input type="checkbox"/> |
| 74HCT160D | 74HCT160D | 9337 149 90652 | Standard Marking * Bulk Pack, CECC | SOT109 (SO16) | Full production | order this <input type="checkbox"/> |
| | 74HCT160D-T | 9337 149 90653 | Standard Marking * Reel Pack, SMD, 13", CECC | SOT109 (SO16) | Full production | order this <input type="checkbox"/> |
| 74HCT160N | 74HCT160N | 9336 699 90652 | Standard Marking * Bulk Pack, CECC | SOT38-1 (DIP16) | Full production | order this <input type="checkbox"/> |
| 74HCT160PW | 74HCT160PW | 9352 624 36112 | Standard Marking * Bulk Pack | SOT403-1 (TSSOP16) | Full production | order this <input type="checkbox"/> |
| | 74HCT160PW-T | 9352 624 36118 | Standard Marking * Reel Pack, SMD, 13" | SOT403-1 (TSSOP16) | Full production | order this <input type="checkbox"/> |

Similar products

[74HC/HCT160](#) links to the similar products page containing an overview of products that are similar in function or related to the type number(s) as listed on this page. The similar products page includes products from the same catalog tree(s), relevant selection guides and products from the same functional category.

Support & tools

[HC/T Family Specifications, The IC06 74HC/HCT/HCMOS Logic Family Specifications](#)(date 01-Mar-98)

[HC/T User Guide](#)(date 01-Nov-97)

Email/translate this product information

- [Email this product information.](#)
- Translate this product information page from English to:

The English language is the official language used at the [semiconductors.philips.com](http://www.semiconductors.philips.com) website and webpages. All translations on this website are created through the use of [Google Language Tools](#) and are provided for convenience purposes only. No rights can be derived from any translation on this website.

[About this Web Site](#)

| Copyright © 2003 Koninklijke Philips N.V. All rights reserved. | [Privacy Policy](#) |

| Koninklijke Philips N.V. | Access to and use of this Web Site is subject to the following [Terms of Use](#). |