

REVISION HISTORY

| <u>Revision</u> | <u>Description</u> | <u>Issue Date</u> |
|------------------------|---|--------------------------|
| Rev. 1.0 | Initial Issue | Jan.09.2012 |
| Rev. 1.1 | Add package "48-ball 8mm × 10mm TFBGA" Revised <u>ORDERING INFORMATION</u> in page 11 | July.12.2013 |

FEATURES

- Fast access time : 55/70ns
- Low power consumption:
Operating current : 45/30mA (TYP.)
Standby current : 4 μ A (TYP.) SL-version
- Single 2.7V ~ 3.6V power supply
- All inputs and outputs TTL compatible
- Fully static operation
- Tri-state output
- Data retention voltage : 1.2V (MIN.)
- **Green package available**
- Package : 44-pin 400 mil TSOP-II
48-ball 8mm x 10mm TFBGA

GENERAL DESCRIPTION

The AS6C1608 is a 16,777,216-bit low power CMOS static random access memory organized as 2,097,152 words by 8 bits. It is fabricated using very high performance, high reliability CMOS technology. Its standby current is stable within the range of operating temperature.

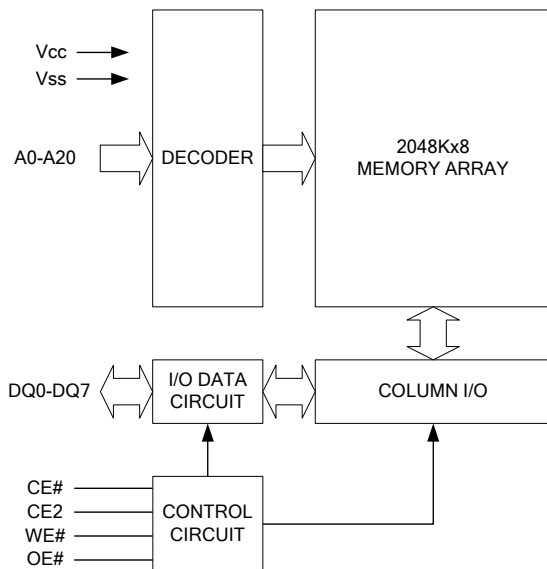
The AS6C1608 is well designed for very low power system applications, and particularly well suited for battery back-up nonvolatile memory application.

The AS6C1608 operates from a single power supply of 2.7V ~ 3.6V and all inputs and outputs are fully TTL compatible

PRODUCT FAMILY

| Product Family | Operating Temperature | Vcc Range | Speed | Power Dissipation | |
|----------------|-----------------------|------------|---------|---------------------------------|----------------------------------|
| | | | | Standby(I _{SB1} ,TYP.) | Operating(I _{CC} ,TYP.) |
| AS6C1608(I) | -40 ~ 85°C | 2.7 ~ 3.6V | 55/70ns | 4 μ A(SL) | 45/30mA |

FUNCTIONAL BLOCK DIAGRAM



PIN DESCRIPTION

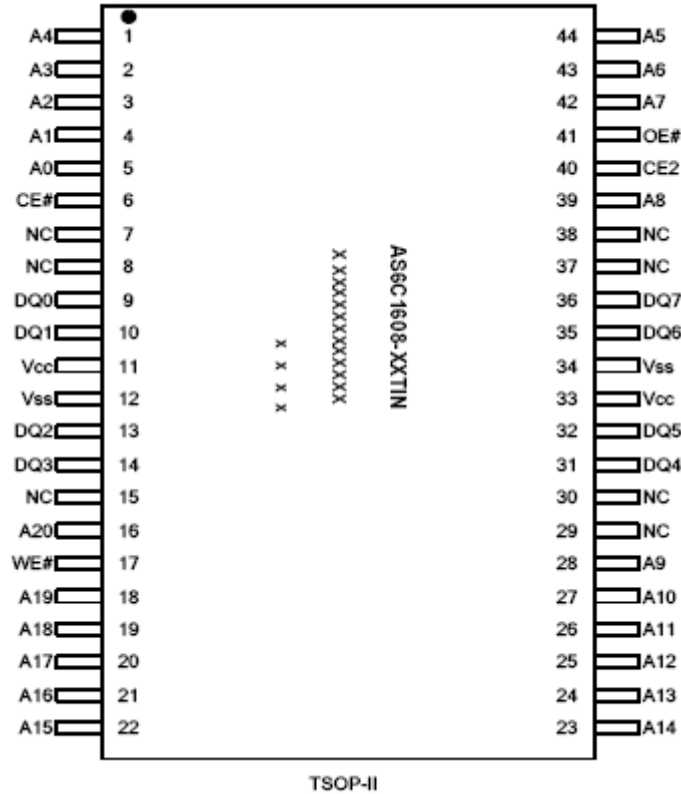
| SYMBOL | DESCRIPTION |
|-----------|---------------------|
| A0 – A20 | Address Inputs |
| DQ0 – DQ7 | Data Inputs/Outputs |
| CE#, CE2 | Chip Enable Inputs |
| WE# | Write Enable Input |
| OE# | Output Enable Input |
| Vcc | Power Supply |
| Vss | Ground |
| NC | No Connection |

PIN CONFIGURATION

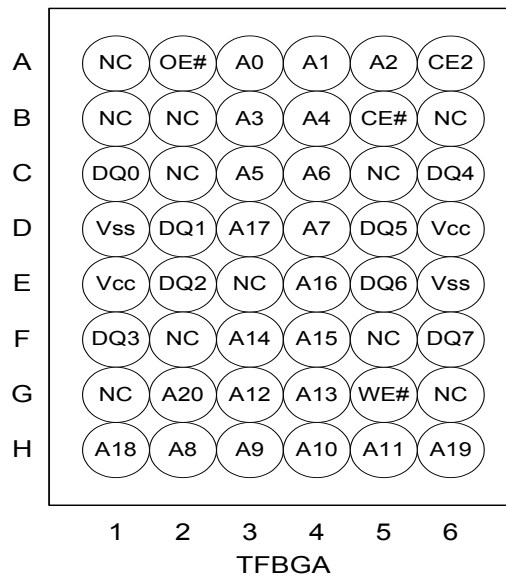
Alliance Memory Inc. reserves the rights to change the specifications and products without notice.

Alliance Memory, Inc.
551 Taylor Way, Suite #1, San Carlos, CA 94070, USA
Tel: +1 650 610 6800 Fax: +1 650 620 9211

44-pin TSOP(Type II)



48-ball 8mmx10mm TFBGA



ABSOLUTE MAXIMUM RATINGS

| PARAMETER | SYMBOL | RATING | UNIT |
|--|------------------|------------------------------|------|
| Voltage on V _{cc} relative to V _{ss} | V _{T1} | -0.5 to 4.6 | V |
| Voltage on any other pin relative to V _{ss} | V _{T2} | -0.5 to V _{cc} +0.5 | V |
| Operating Temperature | T _A | -40 to 85(I grade) | °C |
| Storage Temperature | T _{STG} | -65 to 150 | °C |
| Power Dissipation | P _D | 1 | W |
| DC Output Current | I _{OUT} | 50 | mA |

*Stresses greater than those listed under "Absolute Maximum Ratings" may cause permanent damage to the device. This is a stress rating only and functional operation of the device or any other conditions above those indicated in the operational sections of this specification is not implied. Exposure to the absolute maximum rating conditions for extended period may affect device reliability.

TRUTH TABLE

| MODE | CE# | CE2 | OE# | WE# | I/O OPERATION | SUPPLY CURRENT |
|----------------|-----|-----|-----|-----|------------------|------------------------------------|
| Standby | H | X | X | X | High-Z | I _{SB} , I _{SB1} |
| | X | L | X | X | High-Z | I _{SB} , I _{SB1} |
| Output Disable | L | H | H | H | High-Z | I _{cc} , I _{cc1} |
| Read | L | H | L | H | D _{OUT} | I _{cc} , I _{cc1} |
| Write | L | H | X | L | D _{IN} | I _{cc} , I _{cc1} |

Note: H = V_{IH}, L = V_{IL}, X = Don't care.

DC ELECTRICAL CHARACTERISTICS

| PARAMETER | SYMBOL | TEST CONDITION | MIN. | TYP. ⁴ | MAX. | UNIT | |
|--|------------------------------|--|------------------------|-------------------|----------------------|------|----|
| Supply Voltage | V _{CC} | | 2.7 | 3.0 | 3.6 | V | |
| Input High Voltage | V _{IH} ¹ | | 2.2 | - | V _{CC} +0.3 | V | |
| Input Low Voltage | V _{IL} ² | | - 0.2 | - | 0.6 | V | |
| Input Leakage Current | I _{LI} | V _{CC} ≥ V _{IN} ≥ V _{SS} | - 1 | - | 1 | μA | |
| Output Leakage Current | I _{LO} | V _{CC} ≥ V _{OUT} ≥ V _{SS} Output Disabled | - 1 | - | 1 | μA | |
| Output High Voltage | V _{OH} | I _{OH} = -1mA | 2.2 | 2.7 | - | V | |
| Output Low Voltage | V _{OL} | I _{OL} = 2mA | - | - | 0.4 | V | |
| Average Operating Power supply Current | I _{CC} | Cycle time = Min. CE# = V _{IL} and CE2 = V _{IH} I _{I/O} = 0mA Other pins at V _{IL} or V _{IH} | - 55 | 45 | 60 | mA | |
| | | | - 70 | 30 | 45 | mA | |
| | I _{CC1} | Cycle time = 1μs CE# ≤ 0.2V and CE2 ≥ V _{CC} -0.2V I _{I/O} = 0mA Other pins at 0.2V or V _{CC} -0.2V | - | 8 | 16 | mA | |
| Standby Power Supply Current | I _{SB} | CE# = V _{IH} or CE2 = V _{IL} Other pins at V _{IL} or V _{IH} | - | 0.3 | 2 | mA | |
| | I _{SB1} | CE# ≥ V _{CC} -0.2V or CE2 ≤ 0.2V Other pins at 0.2V or V _{CC} -0.2V | SL ^{*5} 25°C | - | 4 | 10 | μA |
| | | | SLI ^{*5} 40°C | - | 4 | 10 | μA |
| | | | SL | - | 4 | 30 | μA |
| | | SLI | - | 4 | 40 | μA | |

Notes:

- V_{IH}(max) = V_{CC} + 2.0V for pulse width less than 6ns.
- V_{IL}(min) = V_{SS} - 2.0V for pulse width less than 6ns.
- Over/Undershoot specifications are characterized on engineering evaluation stage, not for mass production test.
- Typical values are included for reference only and are not guaranteed or tested.
Typical values are measured at V_{CC} = V_{CC}(TYP.) and T_A = 25°C
- This parameter is measured at V_{CC} = 3.0V

CAPACITANCE (T_A = 25°C, f = 1.0MHz)

| PARAMETER | SYMBOL | MIN. | MAX | UNIT |
|--------------------------|------------------|------|-----|------|
| Input Capacitance | C _{IN} | - | 6 | pF |
| Input/Output Capacitance | C _{I/O} | - | 8 | pF |

Note : These parameters are guaranteed by device characterization, but not production tested.

AC TEST CONDITIONS

| | |
|--|---|
| Input Pulse Levels | 0.2V to V _{CC} - 0.2V |
| Input Rise and Fall Times | 3ns |
| Input and Output Timing Reference Levels | 1.5V |
| Output Load | C _L = 30pF + 1TTL, I _{OH} /I _{OL} = -1mA/2mA |

Alliance Memory Inc. reserves the rights to change the specifications and products without notice.

 Alliance Memory, Inc.
 551 Taylor Way, Suite #1, San Carlos, CA 94070, USA
 Tel: +1 650 610 6800 Fax: +1 650 620 9211

AC ELECTRICAL CHARACTERISTICS

(1) READ CYCLE

| PARAMETER | SYM. | AS6C1608-55 | | AS6C1608-70 | | UNIT |
|------------------------------------|--------------------|-------------|------|-------------|------|------|
| | | MIN. | MAX. | MIN. | MAX. | |
| Read Cycle Time | t _{RC} | 55 | - | 70 | - | ns |
| Address Access Time | t _{AA} | - | 55 | - | 70 | ns |
| Chip Enable Access Time | t _{ACE} | - | 55 | - | 70 | ns |
| Output Enable Access Time | t _{OE} | - | 30 | - | 35 | ns |
| Chip Enable to Output in Low-Z | t _{CLZ} * | 10 | - | 10 | - | ns |
| Output Enable to Output in Low-Z | t _{OLZ} * | 5 | - | 5 | - | ns |
| Chip Disable to Output in High-Z | t _{CHZ} * | - | 20 | - | 25 | ns |
| Output Disable to Output in High-Z | t _{OHZ} * | - | 20 | - | 25 | ns |
| Output Hold from Address Change | t _{OH} | 10 | - | 10 | - | ns |

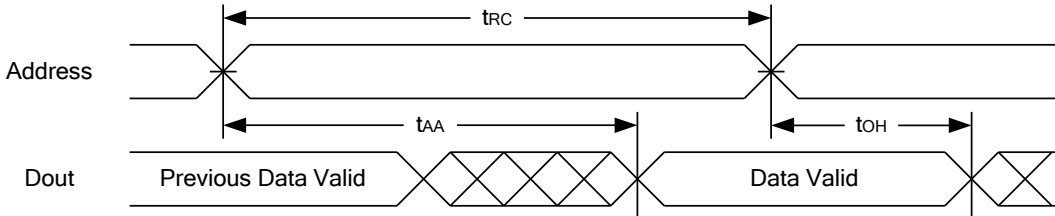
(2) WRITE CYCLE

| PARAMETER | SYM. | AS6C1608-55 | | AS6C1608-70 | | UNIT |
|----------------------------------|--------------------|-------------|------|-------------|------|------|
| | | MIN. | MAX. | MIN. | MAX. | |
| Write Cycle Time | t _{WC} | 55 | - | 70 | - | ns |
| Address Valid to End of Write | t _{AW} | 50 | - | 60 | - | ns |
| Chip Enable to End of Write | t _{CW} | 50 | - | 60 | - | ns |
| Address Set-up Time | t _{AS} | 0 | - | 0 | - | ns |
| Write Pulse Width | t _{WP} | 45 | - | 55 | - | ns |
| Write Recovery Time | t _{WR} | 0 | - | 0 | - | ns |
| Data to Write Time Overlap | t _{DW} | 25 | - | 30 | - | ns |
| Data Hold from End of Write Time | t _{DH} | 0 | - | 0 | - | ns |
| Output Active from End of Write | t _{OW} * | 5 | - | 5 | - | ns |
| Write to Output in High-Z | t _{WHZ} * | - | 20 | - | 25 | ns |

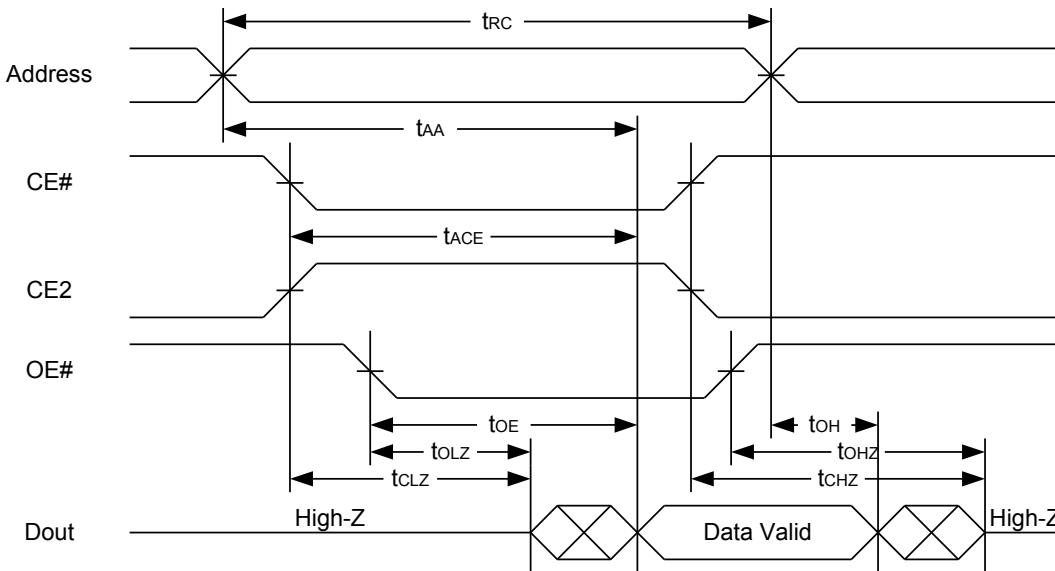
*These parameters are guaranteed by device characterization, but not production tested.

TIMING WAVEFORMS

READ CYCLE 1 (Address Controlled) (1,2)

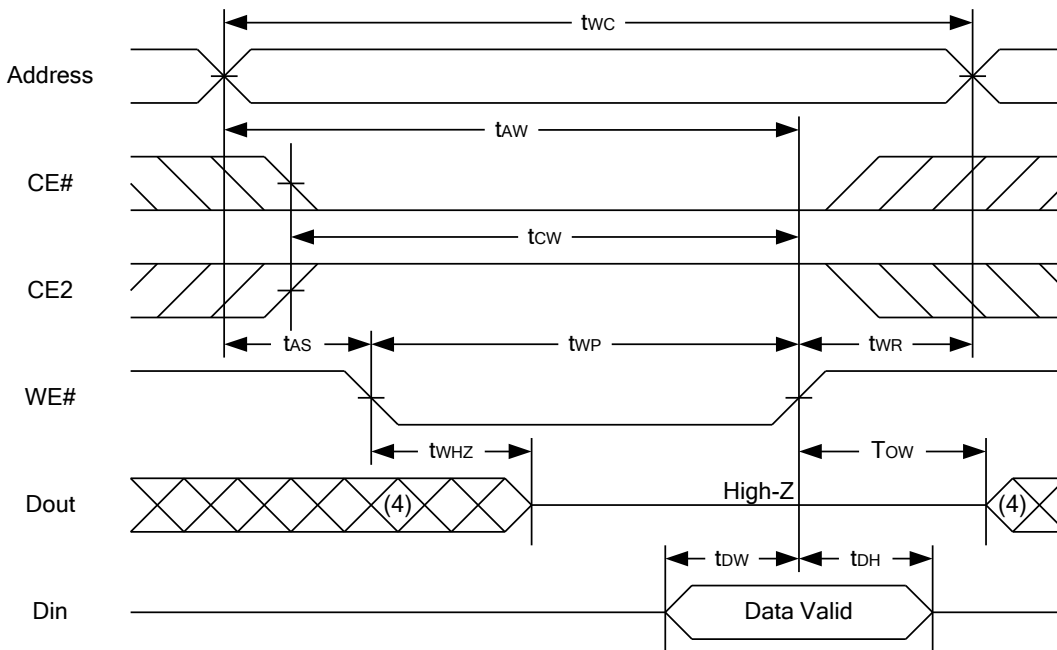
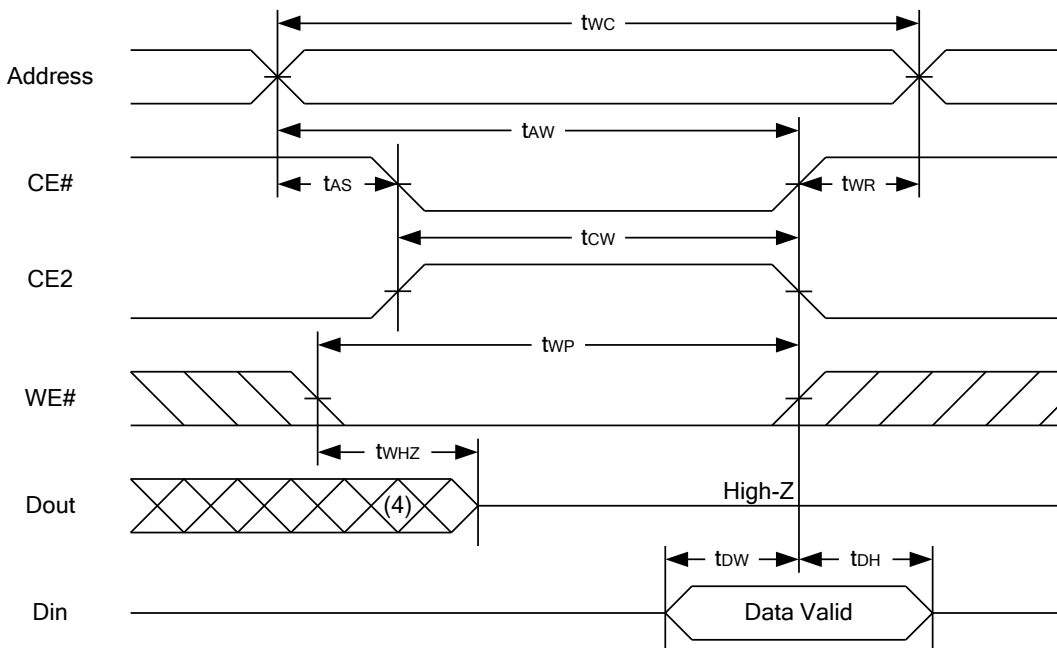


READ CYCLE 2 (CE# and CE2 and OE# Controlled) (1,3,4,5)



Notes :

1. WE# is high for read cycle.
2. Device is continuously selected OE# = low, CE# = low, CE2 = high.
3. Address must be valid prior to or coincident with CE# = low, CE2 = high; otherwise t_{AA} is the limiting parameter.
4. t_{CLZ} , t_{OLZ} , t_{CHZ} and t_{OHZ} are specified with $C_L = 5\text{pF}$. Transition is measured $\pm 500\text{mV}$ from steady state.
5. At any given temperature and voltage condition, t_{CHZ} is less than t_{CLZ} , t_{OHZ} is less than t_{OLZ} .

WRITE CYCLE 1 (WE# Controlled) (1,2,3,5,6)

WRITE CYCLE 2 (CE# and CE2 Controlled) (1,2,5,6)

Notes :

1. WE#, CE# must be high or CE2 must be low during all address transitions.
2. A write occurs during the overlap of a low CE#, high CE2, low WE#.
3. During a WE#-controlled write cycle with OE# low, tWP must be greater than tWHZ + tDW to allow the drivers to turn off and data to be placed on the bus.
4. During this period, I/O pins are in the output state, and input signals must not be applied.
5. If the CE# low transition and CE2 high transition occurs simultaneously with or after WE# low transition, the outputs remain in a high impedance state.
6. tOW and tWHZ are specified with $C_L = 5pF$. Transition is measured $\pm 500mV$ from steady state.

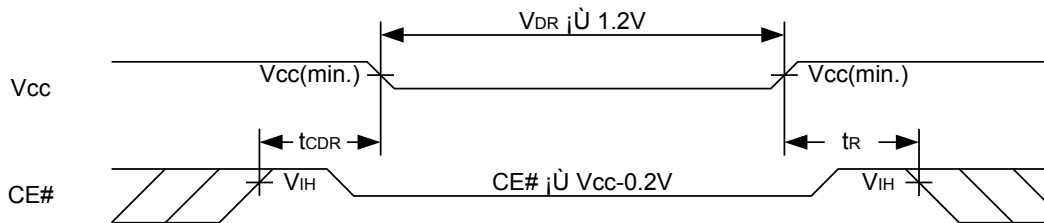
DATA RETENTION CHARACTERISTICS

| PARAMETER | SYMBOL | TEST CONDITION | MIN. | TYP. | MAX. | UNIT | | |
|-------------------------------------|------------------|--|-------------------|------|------|------|----|----|
| Vcc for Data Retention | V _{DR} | CE# ≥ V _{CC} - 0.2V or CE2 ≤ 0.2V | 1.2 | - | 3.6 | V | | |
| Data Retention Current | I _{DR} | V _{CC} = 1.2V CE# ≥ V _{CC} -0.2V or CE2 ≤ 0.2V Other pins at 0.2V or V _{CC} -0.2V | SL | 25°C | - | 2.5 | 10 | μA |
| | | | SLI | 40°C | - | 2.5 | 10 | μA |
| | | | SL | | - | 2.5 | 30 | μA |
| | | | SLI | | - | 2.5 | 40 | μA |
| Chip Disable to Data Retention Time | t _{CDR} | See Data Retention Waveforms (below) | 0 | - | - | ns | | |
| Recovery Time | t _R | | t _{RC} * | - | - | ns | | |

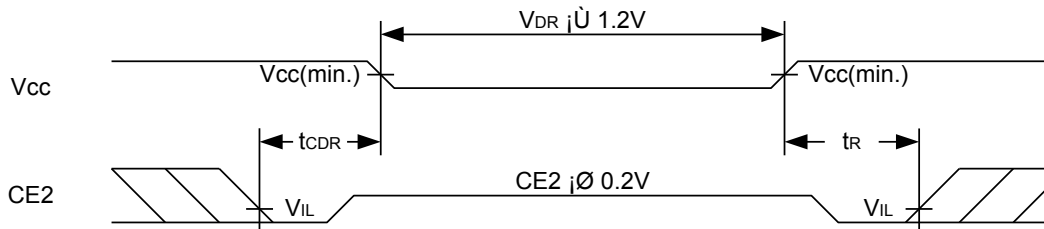
t_{RC}* = Read Cycle Time

DATA RETENTION WAVEFORM

Low Vcc Data Retention Waveform (1) (CE# controlled)

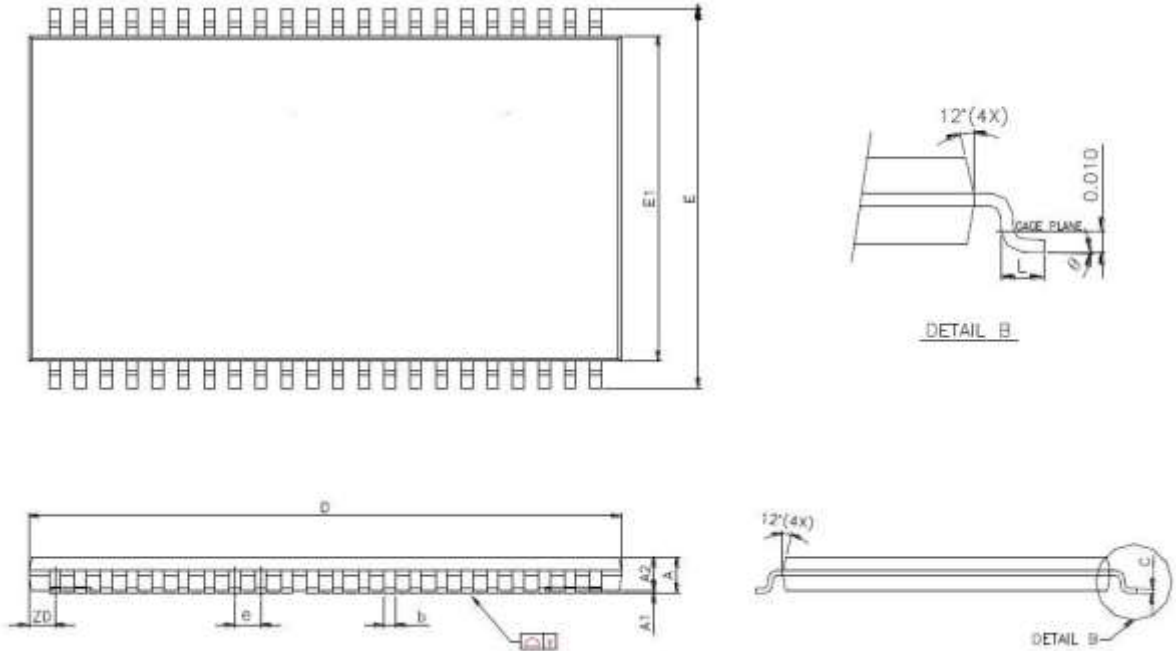


Low Vcc Data Retention Waveform (2) (CE2 controlled)



PACKAGE OUTLINE DIMENSION

44-pin 400mil TSOP-II Package Outline Dimension



| SYMBOLS | DIMENSIONS IN MILLIMETERS | | | DIMENSIONS IN MILS | | |
|---------|---------------------------|--------|--------|--------------------|------|------|
| | MIN. | NOM. | MAX. | MIN. | NOM. | MAX. |
| A | - | - | 1.20 | - | - | 47.2 |
| A1 | 0.05 | 0.10 | 0.15 | 2.0 | 3.9 | 5.9 |
| A2 | 0.95 | 1.00 | 1.05 | 37.4 | 39.4 | 41.3 |
| b | 0.30 | - | 0.45 | 11.8 | - | 17.7 |
| c | 0.12 | - | 0.21 | 4.7 | - | 8.3 |
| D | 18.212 | 18.415 | 18.618 | 717 | 725 | 733 |
| E | 11.506 | 11.760 | 12.014 | 453 | 463 | 473 |
| E1 | 9.957 | 10.160 | 10.363 | 392 | 400 | 408 |
| e | - | 0.800 | - | - | 31.5 | - |
| L | 0.40 | 0.50 | 0.60 | 15.7 | 19.7 | 23.6 |
| ZD | - | 0.805 | - | - | 31.7 | - |
| y | - | - | 0.076 | - | - | 3 |
| θ | 0° | 3° | 6° | 0° | 3° | 6° |

Alliance Memory Inc. reserves the rights to change the specifications and products without notice.

Alliance Memory, Inc.
551 Taylor Way, Suite #1, San Carlos, CA 94070, USA
Tel: +1 650 610 6800 Fax: +1 650 620 9211

ORDERING INFORMATION

| Alliance Part no | Organisation | Vcc Range | Package | Operating Temp | Speed ns |
|--------------------------------|--------------|-------------|--------------------------|----------------|----------|
| AS6C1608-XXBIN - Tray | 2048 x 8 | 2.7V – 3.6V | 48-ball 8mm x 10mm TFBGA | -40°C~85°C | 55/70 |
| AS6C1608-XXBINTR – Tape & Reel | 2048 x 8 | 2.7V – 3.6V | 48-ball 8mm x 10mm TFBGA | -40°C~85°C | 55/70 |
| AS6C1608-XXTIN – Tray | 2048 x 8 | 2.7V – 3.6V | 44-pin 400mil TSOP-II | -40°C~85°C | 55/70 |
| AS6C1608-XXTINTR – Tape & Reel | 2048 x 8 | 2.7V – 3.6V | 44-pin 400mil TSOP-II | -40°C~85°C | 55/70 |

PART NUMBERING SYSTEM

| AS6C | 1608 | -55/70 | B or T | I | N |
|-----------------------|--|-------------|--|--|-----------------------------------|
| LOW POWER SRAM PREFIX | DEVICE NUMBER 16 = 16M 08 = by 8 | Access Time | B = 48ball TFBGA (8mm x 10mm) Or T = 44-pin 400mil TSOP-II | Temperature range: I = Industrial (-40°C to 85°C) | N = Lead Free ROHS Compliant Part |

Alliance Memory Inc. reserves the rights to change the specifications and products without notice.

Alliance Memory, Inc.
551 Taylor Way, Suite #1, San Carlos, CA 94070, USA
Tel: +1 650 610 6800 Fax: +1 650 620 9211

THIS PAGE IS LEFT BLANK INTENTIONALLY.