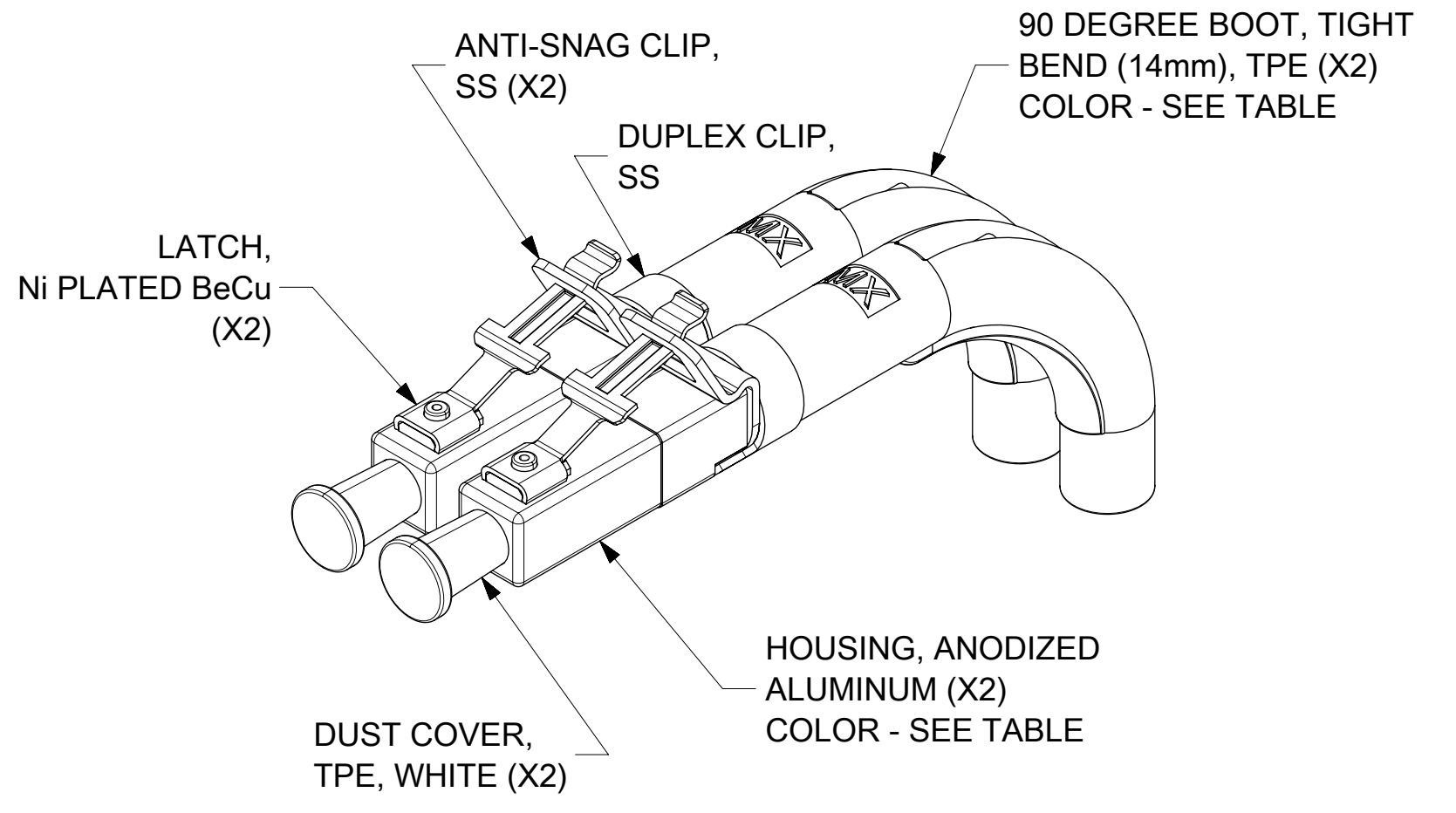
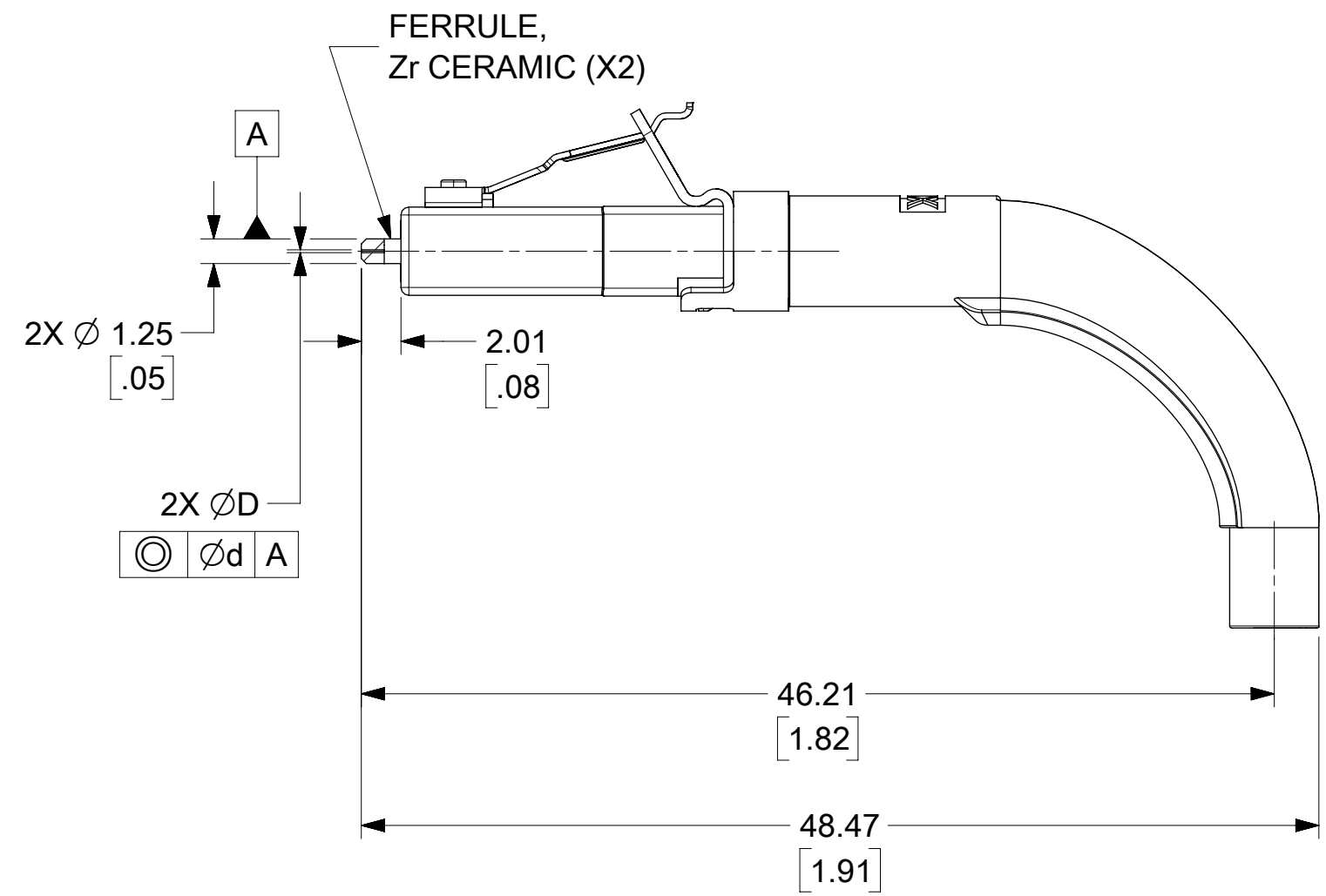
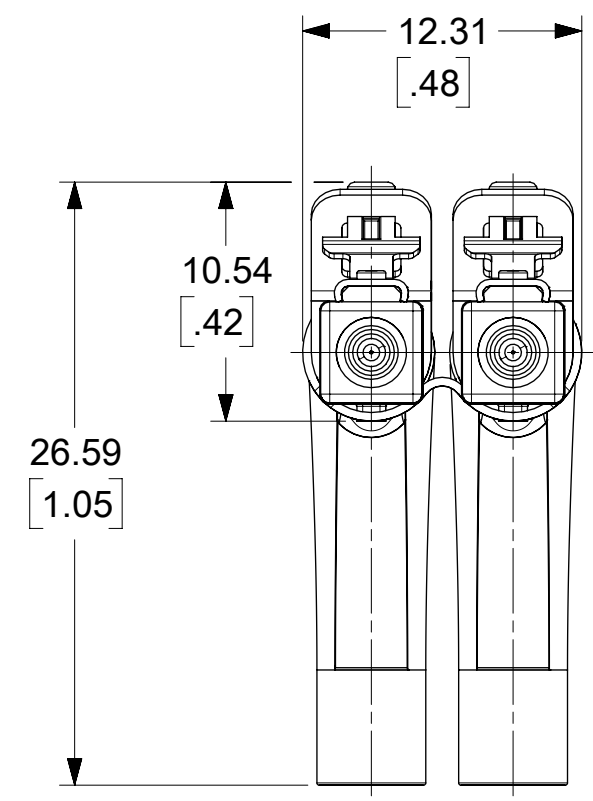
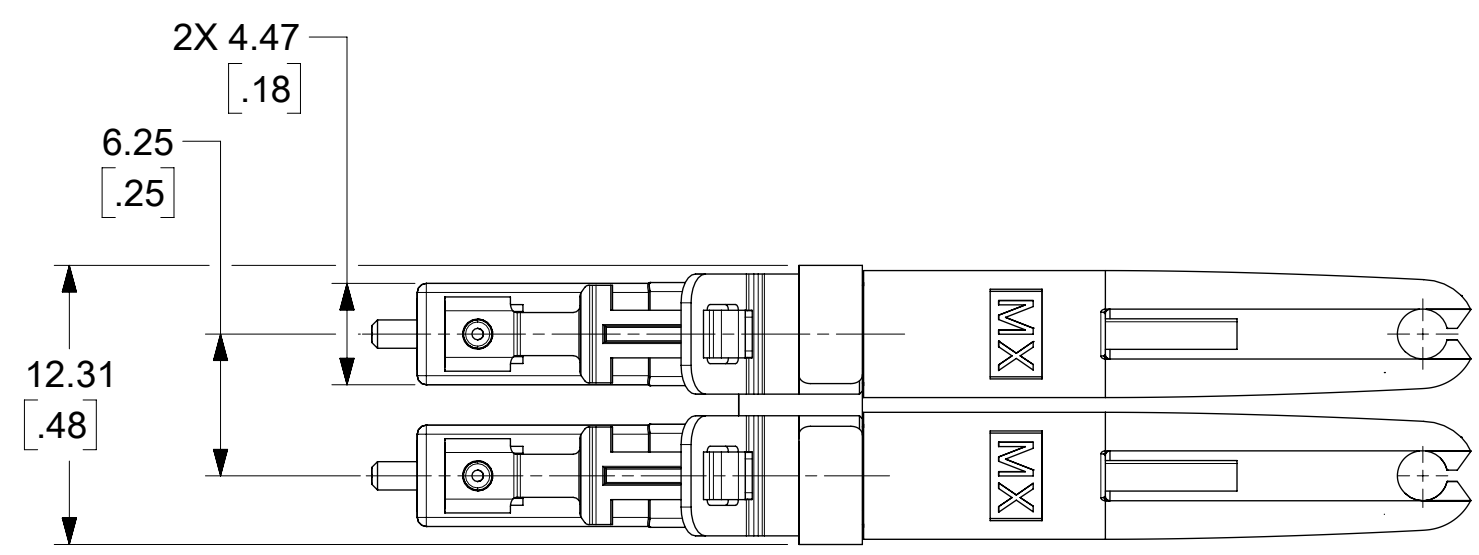


CONNECTOR P/N	ØD (µm)	Ød (µm)	CONNECTOR TYPE	HOUSING COLOR	BOOT COLOR	CABLE DIA. (mm)
1063972287	125.5 +0.5/-0	0.5	Single Mode	Blue	Blue	1.6
1063971662						2.0
1063972289	126.0 +1.0/-0	1.0				1.6
1063971664						2.0
1063972487	127.0 +3.0/-0	3.0	Multimode	Gold	White	1.6
1063971862						2.0



- NOTES:
1. INTERFACE DIMENSIONS COMPLY TO IEC 61754-20 TYPE LC CONNECTOR FAMILY.
 2. FOR TERMINATION PROCEDURE USE STANDARD LC TERMINATION PROCEDURE. (RECOMMENDED CRIMP TOOL P/N 867445000)
 3. CONNECTOR IS SOLD AS A KIT. CUSTOMER IS RESPONSIBLE TO PERFORM THEIR OWN TEST TO VERIFY THEIR TERMINATION PROCESS AS A FINISHED PRODUCT.

FUNCTIONAL SYMBOLS	THIS DRAWING CONTAINS INFORMATION THAT IS PROPRIETARY TO MOLEX ELECTRONIC TECHNOLOGIES, LLC AND SHOULD NOT BE USED WITHOUT WRITTEN PERMISSION		CURRENT REV DESC:		molex
	DIMENSION UNITS	SCALE			
▽A = 0	MM/INCH	3:1			LC2+ METAL CONNECTOR, DUPLEX, 90 DEG TIGHT BEND BOOT (14MM)
▽E = 0	GENERAL TOLERANCES (UNLESS SPECIFIED)				
▽P = 0	ANGULAR TOL ± 0.5°				PRODUCT CUSTOMER DRAWING
DIVISIONAL SYMBOLS	4 PLACES ±	EC NO: 655686	2021/02/15		
	3 PLACES ±	DRWN: IGUMIN	2021/02/18		
	2 PLACES ±	CHK'D: GGENCHANOK	2021/02/18		
	1 PLACE ±	APPR: GGENCHANOK	2021/02/18		
	0 PLACES ±	INITIAL REVISION:			
		DRWN: LSADAUSKIENE	2010/04/30		
		APPR: WCHEN	2010/05/27		
	DRAFT WHERE APPLICABLE MUST REMAIN WITHIN DIMENSIONS	THIRD ANGLE PROJECTION	DRAWING	SERIES	DOCUMENT NUMBER
			C-SIZE	106397	SD-106397-2287
					DOC TYPE
					PSD
					DOC PART
					001
					REVISION
					B1
					MATERIAL NUMBER
					SEE TABLE
					CUSTOMER
					SHEET NUMBER
					1 OF 1