

CD40174BC Hex D-Type Flip-Flop

General Description

The CD40174BC consists of six positive-edge triggered D-type flip-flops; the true outputs from each flip-flop are externally available.

All flip-flops are controlled by a common clock and a common clear. Information at the D inputs meeting the set-up time requirements is transferred to the Q outputs on the positive-going edge of the clock pulse. The clearing operation, enabled by a negative pulse at Clear input, clears all Q outputs to logical "0".

All inputs are protected from static discharge by diode clamps to V_{DD} and V_{SS} .

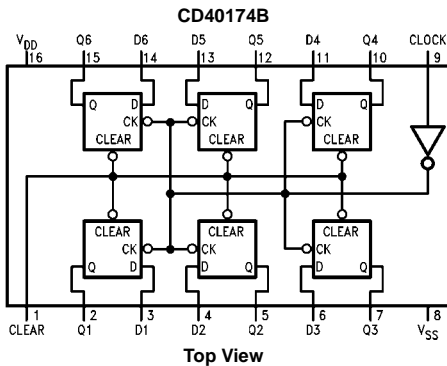
Features

- Wide supply voltage range: 3V to 15V
- High noise immunity: $0.45 V_{DD}$ (typ.)
- Low power TTL compatibility:
fan out of 2 driving 74L or 1 driving 74 LS
- Equivalent to MC14174B
- Equivalent to MM74C174

Ordering Code:

Order Number	Package Number	Package Description
CD40174BCM	M16A	16-Lead Small Outline Integrated Circuit (SOIC), JEDEC MS-012, 0.150" Narrow
CD40174BCN	N16E	16-Lead Plastic Dual-In-Line Package (PDIP), JEDEC MS-001, 0.300" Wide

Connection Diagram



Truth Table

Inputs			Outputs	
Clear	Clock	D	Q	\bar{Q}
L	X	X	L	H
H	↑	H	H	L
H	↑	L	L	H
H	H	X	NC	NC
H	L	X	NC	NC

H = HIGH Level
L = LOW Level
X = Irrelevant
↑ = Transition from LOW-to-HIGH level
NC = No change

Absolute Maximum Ratings (Note 1)

(Note 2)

DC Supply Voltage (V_{DD})	-0.5V to +18V
Input Voltage (V_{IN})	-0.5V to V_{DD} +0.5 V_{DC}
Storage Temperature Range (T_S)	-65°C to +150°C
Power Dissipation (P_D)	
Dual-In-Line	700 mW
Small Outline	500 mW
Lead Temperature (T_L)	
(Soldering, 10 seconds)	260°C

Recommended Operating Conditions (Note 2)

DC Supply Voltage (V_{DD})	3V to 15 V_{DC}
Input Voltage (V_{IN})	0V to V_{DD} V_{DC}
Operating Temperature Range (T_A)	-55°C to +125°C

Note 1: "Absolute Maximum Ratings" are those values beyond which the safety of the device cannot be guaranteed. They are not meant to imply that the devices should be operated at these limits. The tables of "Recommended Operating Conditions" and "Electrical Characteristics" provide conditions for actual device operation.

Note 2: $V_{SS} = 0V$ unless otherwise specified.

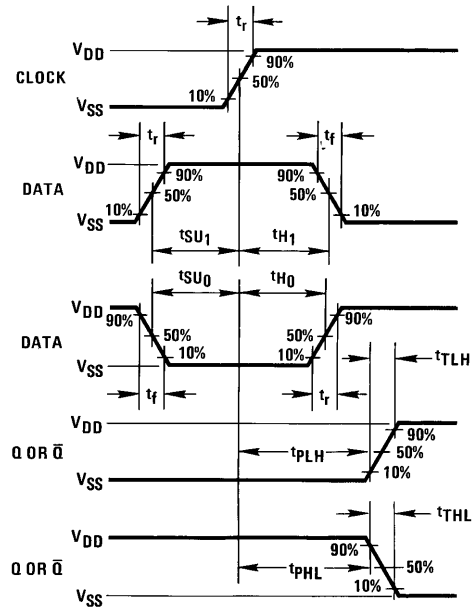
DC Electrical Characteristics (Note 2)

Symbol	Parameter	Conditions	-55°C		+25°C			+125°C		Units
			Min	Max	Min	Typ	Max	Min	Max	
I_{DD}	Quiescent Device Current	$V_{DD} = 5V, V_{IN} = V_{DD}$ or V_{SS}		1.0			1.0		30	μA
		$V_{DD} = 10V, V_{IN} = V_{DD}$ or V_{SS}		2.0			2.0		60	
		$V_{DD} = 15V, V_{IN} = V_{DD}$ or V_{SS}		4.0			4.0		120	
V_{OL}	LOW Level Output Voltage	$V_{DD} = 5V$		0.05			0.05		0.05	V
		$V_{DD} = 10V$	$ I_O < 1 \mu A$	0.05			0.05		0.05	
		$V_{DD} = 15V$		0.05			0.05		0.05	
V_{OH}	HIGH Level Output Voltage	$V_{DD} = 5V$	4.95		4.95	5		4.95		V
		$V_{DD} = 10V$	9.95		9.95	10		9.95		
		$V_{DD} = 15V$	14.95		14.95	15		14.95		
V_{IL}	LOW Level Input Voltage	$V_{DD} = 5V, V_O = 0.5V$ or $4.5V$		1.5			1.5		1.5	V
		$V_{DD} = 10V, V_O = 1V$ or $9V$		3.0			3.0		3.0	
		$V_{DD} = 15V, V_O = 1.5V$ or $13.5V$		4.0			4.0		4.0	
V_{IH}	HIGH Level Input Voltage	$V_{DD} = 5V, V_O = 0.5V$ or $4.5V$	3.5		3.5			3.5		V
		$V_{DD} = 10V, V_O = 1V$ or $9V$	7.0		7.0			7.0		
		$V_{DD} = 15V, V_O = 1.5V$ or $13.5V$	11.0		11.0			11.0		
I_{OL}	LOW Level Output Current (Note 3)	$V_{DD} = 5V, V_O = 0.4V$	0.64		0.51	0.88		0.36		mA
		$V_{DD} = 10V, V_O = 0.5V$	1.6		1.3	2.25		0.9		
		$V_{DD} = 15V, V_O = 1.5V$	4.2		3.4	8.8		2.4		
I_{OH}	HIGH Level Output Current (Note 3)	$V_{DD} = 5V, V_O = 4.6V$	-0.64		-0.51	-0.88		-0.36		mA
		$V_{DD} = 10V, V_O = 9.5V$	-1.6		-1.3	-2.25		-0.9		
		$V_{DD} = 15V, V_O = 13.5V$	-4.2		-3.4	-8.8		-2.4		
I_{IN}	Input Current	$V_{DD} = 15V, V_{IN} = 0V$		0.1		-10^{-5}	0.1		-1.0	μA
		$V_{DD} = 15V, V_{IN} = 15V$		-0.1		10^{-5}	-0.1		1.0	

Note 3: I_{OH} and I_{OL} are tested one output at a time.

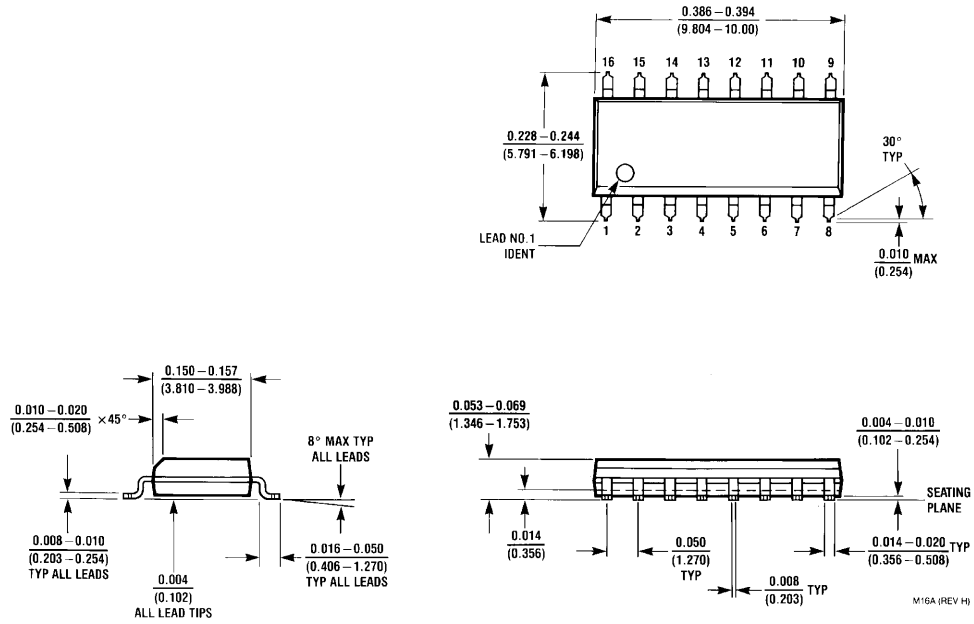
AC Electrical Characteristics (Note 4)						
T _A = 25°C, C _L = 50 pF, R _L = 200k and t _r = t _f = 20 ns, unless otherwise specified						
Symbol	Parameter	Conditions	Min	Typ	Max	Units
t _{PHL} , t _{PLH}	Propagation Delay Time to a Logical "0" or Logical "1" from Clock to Q or \bar{Q}	V _{DD} = 5V V _{DD} = 10V V _{DD} = 15V		190 75 60	300 110 90	ns
t _{PHL}	Propagation Delay Time to a Logical "0" from Clear to Q	V _{DD} = 5V V _{DD} = 10V V _{DD} = 15V		180 70 60	300 110 90	ns
t _{PLH}	Propagation Delay Time to a Logical "1" from Clear to \bar{Q}	V _{DD} = 5V V _{DD} = 10V V _{DD} = 15V		230 90 75	400 150 120	ns
t _{SU}	Time Prior to Clock Pulse that Data must be Present	V _{DD} = 5V V _{DD} = 10V V _{DD} = 15V		45 15 13	100 40 35	ns
t _H	Time after Clock Pulse that Data Must be Held	V _{DD} = 5V V _{DD} = 10V V _{DD} = 15V		-11 -4 -3	0 0 0	ns
t _{THL} , t _{TLH}	Transition Time	V _{DD} = 5V V _{DD} = 10V V _{DD} = 15V		100 50 40	200 100 80	ns
t _{WH} , t _{WL}	Minimum Clock Pulse Width	V _{DD} = 5V V _{DD} = 10V V _{DD} = 15V		130 45 40	250 100 80	ns
t _{WL}	Minimum Clear Pulse Width	V _{DD} = 5V V _{DD} = 10V V _{DD} = 15V		120 45 40	250 100 80	ns
t _{RCL}	Maximum Clock Rise Time	V _{DD} = 5V V _{DD} = 10V V _{DD} = 15V	15 5.0 5.0			μs
t _{FCL}	Maximum Clock Fall Time	V _{DD} = 5V V _{DD} = 10V V _{DD} = 15V	15 5.0 5.0	50 50 50		μs
f _{CL}	Maximum Clock Frequency	V _{DD} = 5V V _{DD} = 10V V _{DD} = 15V	2.0 5.0 6.0	3.5 10 12		MHz
C _{IN}	Input Capacitance	Clear Input Other Input		10 5.0	15 7.5	pF
C _{PD}	Power Dissipation	Per Package (Note 5)		130		pF
<p>Note 4: AC Parameters are guaranteed by DC correlated testing.</p> <p>Note 5: C_{PD} determines the no load AC power consumption of any CMOS device. For complete explanation, see 74C Family Characteristics application note, AN-90.</p>						

Switching Time Waveforms



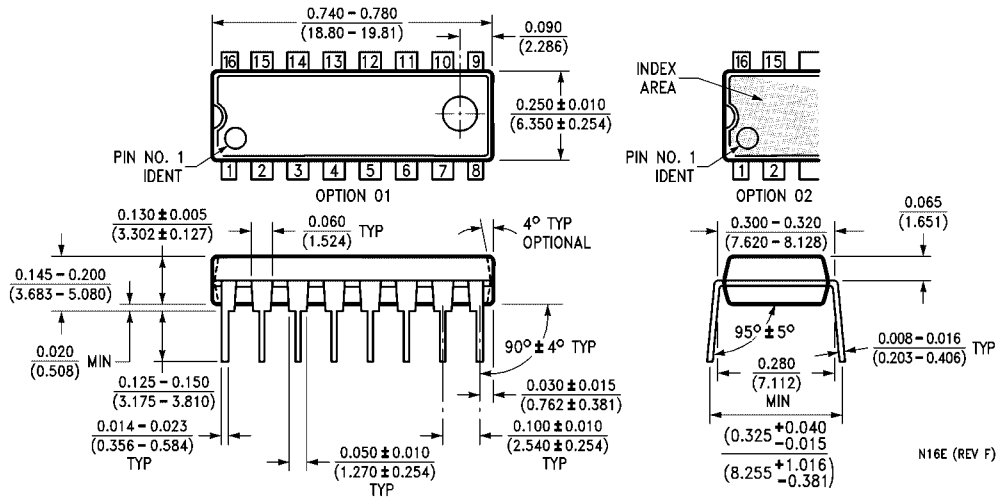
$t_r = t_f = 20 \text{ ns}$

Physical Dimensions inches (millimeters) unless otherwise noted



**16-Lead Small Outline Integrated Circuit (SOIC), JEDEC MS-012, 0.150" Narrow
Package Number M16A**

Physical Dimensions inches (millimeters) unless otherwise noted (Continued)



**16-Lead Plastic Dual-In-Line Package (PDIP), JEDEC MS-001, 0.300" Wide
Package Number N16E**

Fairchild does not assume any responsibility for use of any circuitry described, no circuit patent licenses are implied and Fairchild reserves the right at any time without notice to change said circuitry and specifications.

LIFE SUPPORT POLICY

FAIRCHILD'S PRODUCTS ARE NOT AUTHORIZED FOR USE AS CRITICAL COMPONENTS IN LIFE SUPPORT DEVICES OR SYSTEMS WITHOUT THE EXPRESS WRITTEN APPROVAL OF THE PRESIDENT OF FAIRCHILD SEMICONDUCTOR CORPORATION. As used herein:

1. Life support devices or systems are devices or systems which, (a) are intended for surgical implant into the body, or (b) support or sustain life, and (c) whose failure to perform when properly used in accordance with instructions for use provided in the labeling, can be reasonably expected to result in a significant injury to the user.
2. A critical component in any component of a life support device or system whose failure to perform can be reasonably expected to cause the failure of the life support device or system, or to affect its safety or effectiveness.

www.fairchildsemi.com