

T.440 | Plugs

Technopolymer

BSP

RoHS

PA

**+212 °F
-22 °F**

MATERIAL

Polyamide based (PA) technopolymer, black colour, matte finish.

PACKING RING

NBR synthetic rubber.

MAXIMUM CONTINUOUS WORKING TEMPERATURE

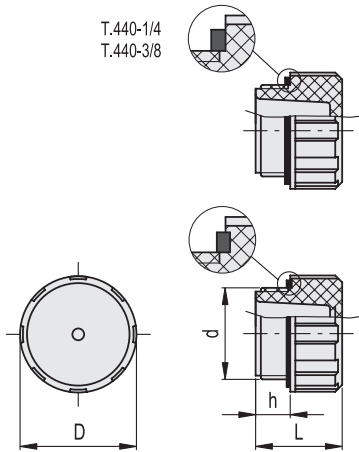
100°C.

SPECIAL EXECUTIONS ON REQUEST

Words, marks and graphic symbols can be tampoprinted on the cap.



ELESA Original design



BSP

METRIC

| Code | Description | d | h | D | L | △ |
|--------|-------------|--------|----|------|------|----|
| 157111 | T.440-1/4 | G 1/4 | 9 | 20.5 | 19 | 10 |
| 157121 | T.440-3/8 | G 3/8 | 9 | 25 | 21 | 12 |
| 157131 | T.440-1/2 | G 1/2 | 11 | 28.5 | 25 | 14 |
| 157141 | T.440-3/4 | G 3/4 | 12 | 34.5 | 27 | 22 |
| 157151 | T.440-1 | G 1 | 13 | 42.5 | 28.5 | 28 |
| 157161 | T.440-1¼ | G1 1/4 | 13 | 52 | 32 | 52 |
| 157171 | T.440-1½ | G1 1/2 | 13 | 57.5 | 34 | 63 |



1



2



3



4



5



6



7



8



9



10



11



12



13



14



15



RH

