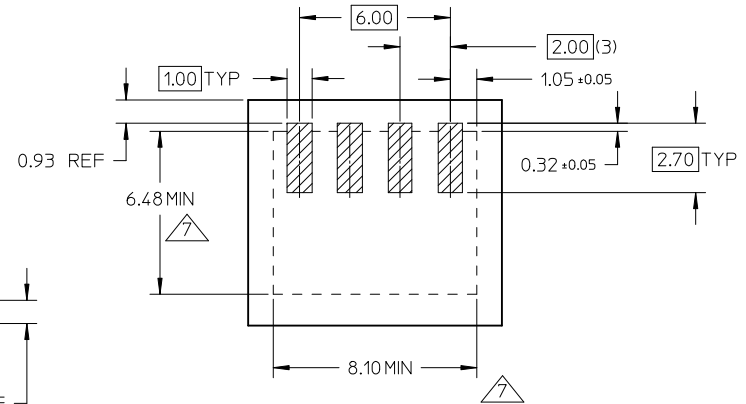
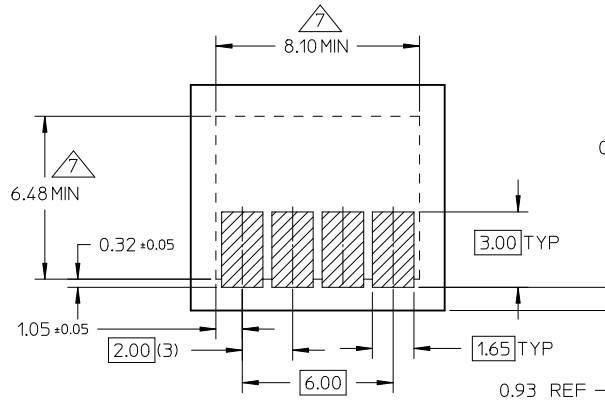
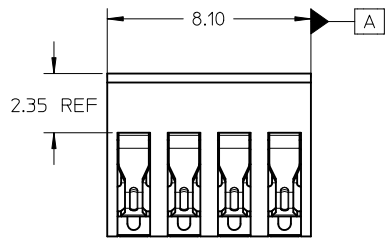
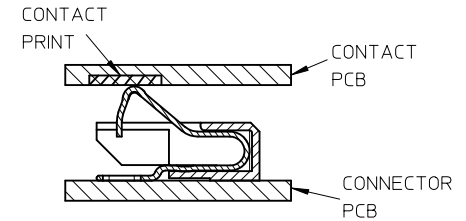
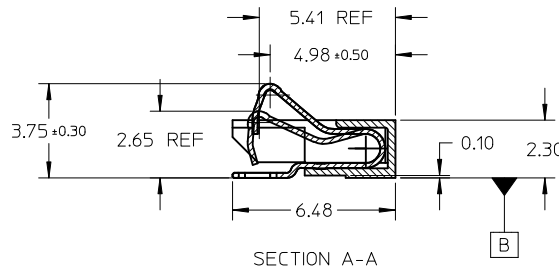
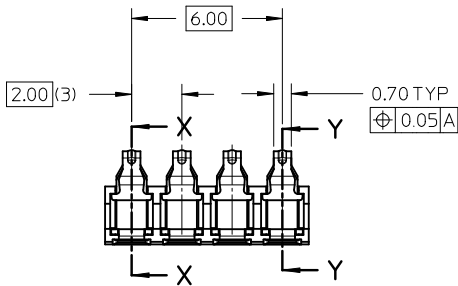


10 9 8 7 6 5 4 3 2 1

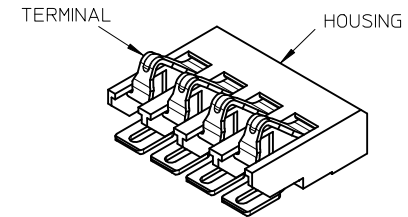
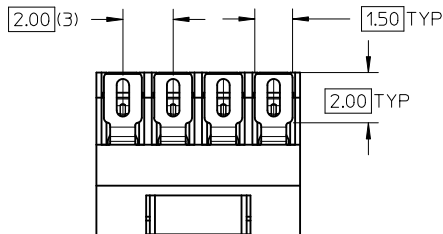
F



E



SECTION X-X



- NOTE:
- 1.MATERIAL:
HOUSING: LCP, 30% GLASS-FILLED, UL 94V-0, COLOR :BLACK
TERMINAL: 0.20MM PHOSPHOR BRONZE.
 - 2.FINISH:
CONTACT AREA: 0.75 MICRON GOLD MIN OVER 1.25 MICRON NICKEL MIN.
SOLDER AREA: 3.75 MICRON PURE TIN MIN OVER 1.25 MICRON NICKEL
MIN.REST AREA: 1.25 MICRON NICKEL MIN.
 - 3.COPLANARITY: 0.1 MAX AMONG THESE SOLDER TAILS.
 - 4.PRODUCT SPECIFICATION REFER TO PS-47103-001
 - 5.PACKAGE REFER TO PK-47103-001
 - 6.WORKING HEIGHT : 2.65MM REFERENCE
 - 7.CONNECTOR KEEP-OUT ZONE

DRAWING UPDATE EC NO: S2012-0173 DRWN:LKCHEW 2011/09/16 CHKD:LING 2011/10/27 APPR:SHONG 2011/10/27	DESCRIPTION REV	QUALITY SYMBOLS	GENERAL TOLERANCES (UNLESS SPECIFIED) mm INCH 4 PLACES ± --- ± --- 3 PLACES ± --- ± --- 2 PLACES ± 0.15 ± --- 1 PLACE ± 0.20 ± --- ANGULAR ± 2 °	DIMENSION STYLE	SCALE	DESIGN UNITS	THIRD ANGLE PROJECTION	
		▽=0 ≡=0		MM ONLY	5:1	METRIC		
				DRAWN BY	DATE	TITLE		
				SSUN	2005/09/12	2.0MM PITCH 4 CIRCUITS BATTERY CONNECTOR		
		CHECKED BY	DATE	MOLEX INCORPORATED				
		YJWU	2005/09/12	DOCUMENT NO. SD-47327-001				
		APPROVED BY	DATE	SHEET NO. 1 OF 1				
		GARY CHEN	2005/09/12	THIS DRAWING CONTAINS INFORMATION THAT IS PROPRIETARY TO MOLEX INCORPORATED AND SHOULD NOT BE USED WITHOUT WRITTEN PERMISSION				
		MATERIAL NO.	473270001					
		SIZE	A3					

9 8 7 6 5 4 3 2 1