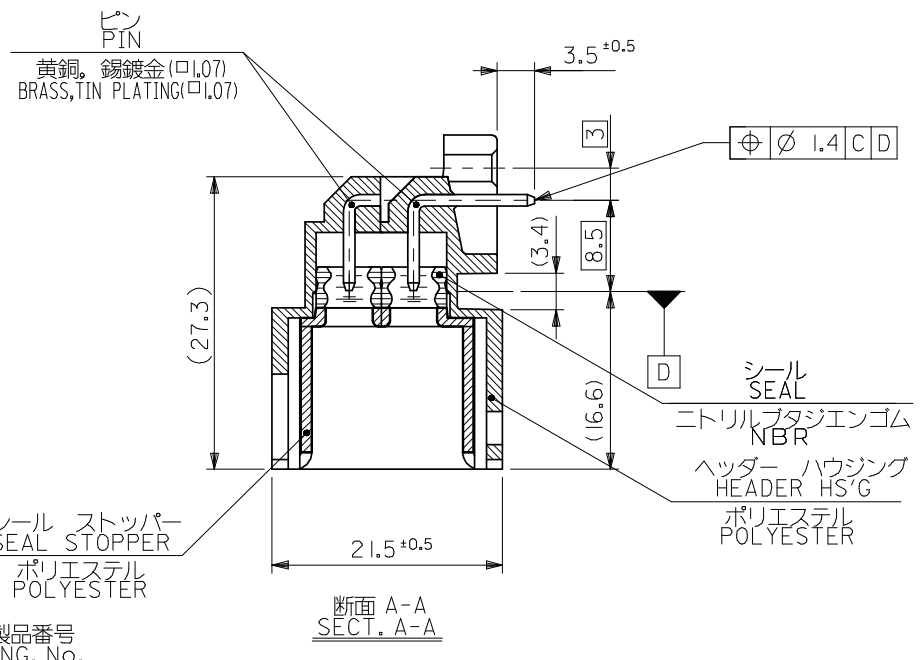


基板穴推奨寸法  
RECOMMENDED PC BOARD HOLE DIMENTION



注記  
NOTES

- I. 嵌合相手: 52252-160\*
- I. MATES WITH: 52252-160\*

黒 BLACK	黒 BLACK	53194-1611	16
ヘッダーハウジング HEADER HSG PRE-ASSY MAT'L COLOR	シールストッパー SEAL STOPPER MAT'L COLOR	製品番号 ENG. No.	極数 No. OF CKT.

REVISED EC NO: J2008-3823 DRAWN: NAKAMURA 2008/05/26 CHKD: T. HARUYAMA 2008/05/26 APPR: NUKITA 2008/07/28	GENERAL TOLERANCES (UNLESS SPECIFIED)		DIMENSION STYLE MM ONLY	SCALE 2:1	DESIGN UNITS METRIC	THIRD ANGLE PROJECTION
	10 UNDER	±0.2	DRAWN BY M. SANO	DATE '91/10/24	MODEL NO. 53194-161*	
	10 OVER 30 UNDER	±0.25	CHECKED BY M. SAKANO	DATE '93/5/11		
	30 OVER	±0.3	APPROVED BY M. ENOMOTO	DATE '93/5/11		
ANGULAR	±3	MATERIAL NO.	DOCUMENT NO.			
DRAFT WHERE APPLICABLE MUST REMAIN WITHIN DIMENSIONS		SEE TABLE	SD-53194-001		SHEET NO. 1 OF 1	
THIS DRAWING CONTAINS INFORMATION THAT IS PROPRIETARY TO MOLEX INCORPORATED AND SHOULD NOT BE USED WITHOUT WRITTEN PERMISSION						