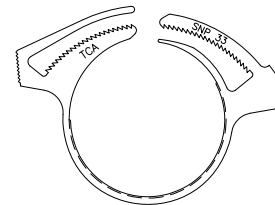
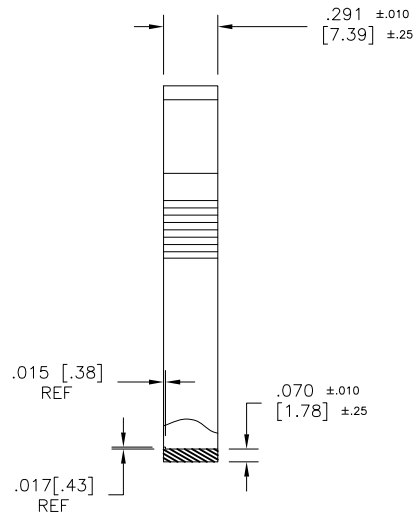
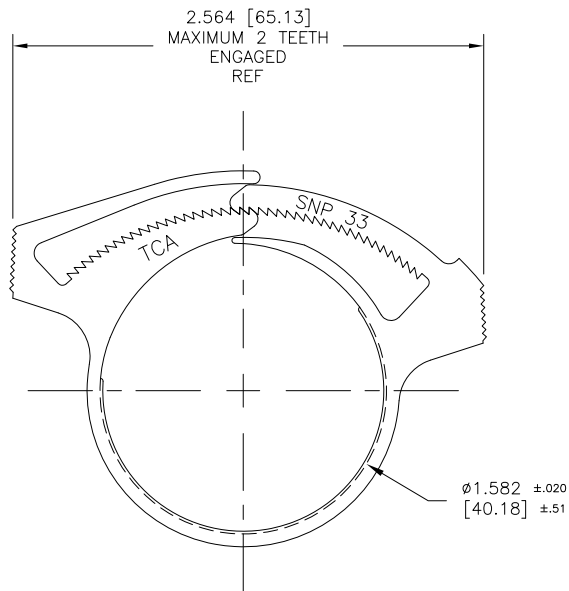


AS MOLDED



AS MOLDED
FULL SIZE

HellermannTyton

ALL PROPRIETARY RIGHTS IN THE SUBJECT MATTER SHOWN ON THIS DRAWING ARE EXCLUSIVE PROPERTY OF HELLERMANNTYTON

name	date	city, state

NOTES

- NOTE:
- INSIDE DIAMETERS ARE MEASURED IN THREE PLACES SPACED 120° APART EXCLUDING .015 RIB.
 - 44 TOTAL TEETH, 22 TEETH POSITIONS.

REVISION	level	01
	date	11/24/08
	by	AAC
	ECN #	011186
	part level	-

DIMENSIONS	.xxxx=	
	.xxx= NOTED	
	.xx=	
	.x=	
	∠=	
unless otherwise specified		
units		inches

PART	number	SNP3310	phase	PRODUCTION
	name			
	SNAPPER 33 HOSE CLAMP			
	material	ACETAL WHITE		

DRAWING	FORMAT C	version P	CAD	ACAD	scale	2X
	computer file number		previous number			
	CP\CST\2033001_01					
	drawn	A.A.C.	checked	K.A.C.	approved	
	date	11/24/08	date	11/24/08	approved	
type	CUSTOMER			sheet	1 of 1	
number	CP2033002CST					