

- 1
- 2
- 3
- 4
- 5
- 6
- 7
- 8
- 9
- 10
- 11
- 12
- 13
- 14
- 15
- 16
- 17
- 18
- RH**

**BASE AND CASE**

High-resistance polyamide based (PA) technopolymer.  
Black base.

Case in the following colours:

- **C2**: RAL 2004 orange, glossy finish.
- **C3**: RAL 7035 grey, glossy finish.
- **C1**: RAL 7021 grey-black, glossy finish.

The ultrasonic welding between the base and the case prevents separation and avoids dust penetration.

**WINDOW**

Transparent polyamide based (PA-T) technopolymer, moulded over the case and with a perfect seal. Resistant to solvents, oils, greases and other chemical agents (avoid contact with alcohol during cleaning operations).

**DISPLAY**

It indicates the displacement of the mechanism controlled by the spindle from the start position (0). Three-digit roller counter. The digits of red rolls show the decimal values. The display can be in different positions (see "Table of the possible combinations").

- **AN**: inclined display, counter in upper position.
- **AR**: inclined display, counter in lower position.
- **FN**: front display, counter in upper position.
- **FR**: front display, counter in lower position.

**INTERNAL GASKET**

O-ring front sealing in NBR synthetic rubber, between the case and the boss.

**REAR GASKET**

Foam polyethylene, supplied.

**STANDARD EXECUTION**

Boss with DIA 0.375 (Ø 9.52 mm) reamed hole, fitting to shaft by means of a grub screw with hexagon socket and cup end, included in the supply.

- **DD50**: black-oxide steel boss.
- **DD50-SST**: AISI 303 stainless steel boss.

**DIRECTION OF ROTATION**

- **D**: clockwise. Increasing values with clockwise rotation of the boss.
- **S**: anti-clockwise. Increasing values with anti-clockwise rotation of the boss.

**WEIGHT**

0.044 lbs.

**ERGONOMY AND DESIGN**

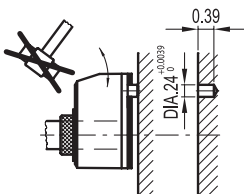
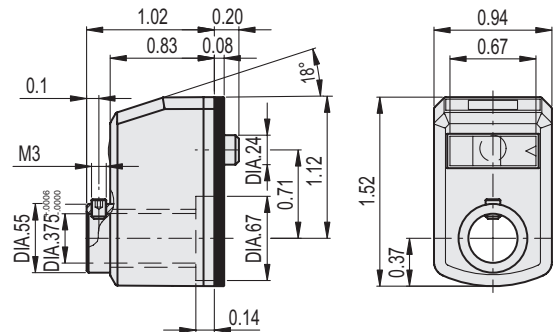
Compact roller counter, ergonomically designed digits for rapid reading. The readability of the counter is increased by the magnifying window.

**ASSEMBLY INSTRUCTIONS**

1. Drill a DIA 0.24 by 0.39 (Ø 6 mm by 10 mm) hole in the body of the machine with a 0.71 inches (18 mm) centre distance from the spindle to fit the rear referring pin.
2. Set the spindle to the start or referring position.
3. Fit the indicator with the zeroed roller counter onto the spindle and make sure that the referring pin fit the hole.
4. Clamp the boss to the spindle by tightening the grub screw with hexagon socket and cup end.



ELESA Original design



**SPECIAL EXECUTIONS ON REQUEST**

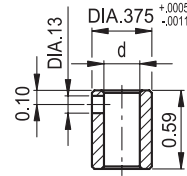
- Special readings after one revolution.
- Case in different colours.
- Completely sealed digital position indicators with IP 67 protection class, see table EN 60529 (on page A-19) obtained by means of a brass bushing with double seal ring inside the rear cavity of the base.

**FEATURES AND APPLICATIONS**

Direct drive digital position indicators can be assembled on passing through spindles in any position to give direct reading of the positioning of a machine component. They are suitable also for motor driven applications (see "Table of the possible combinations").

**ACCESSORIES ON REQUEST (TO BE ORDERED SEPARATELY)**

- **MDX-50**: polyamide based (PA) technopolymer knob.
- **RB50**: black-oxide steel reduction sleeves.
- **RB50-SST**: AISI 304 stainless steel reduction sleeves.



**RB50**

**INCH**

Code	Description	d	⚖️
CE980940	RB50-3/8-1/4	0.250+0.006	0.05

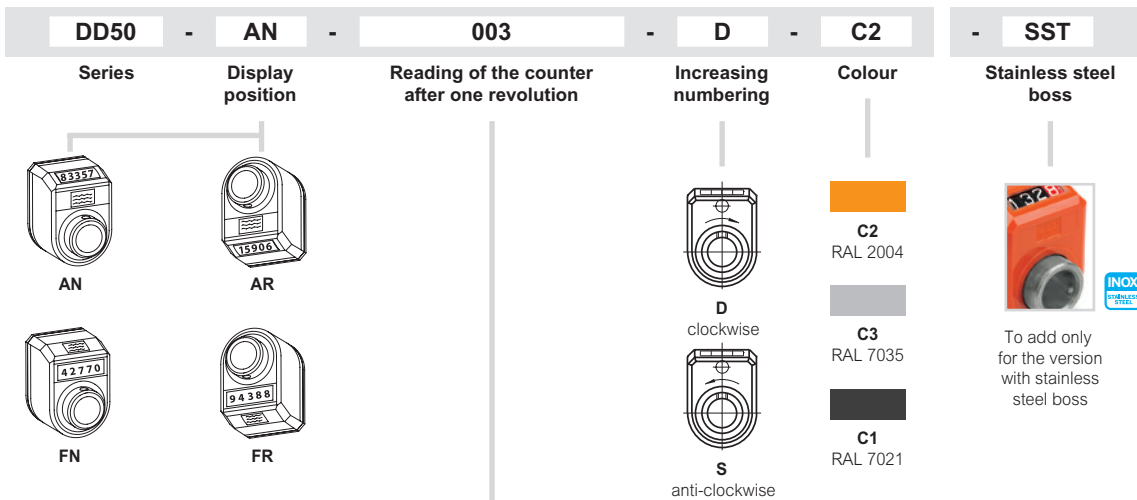
**RB50-SST**

**INOX STAINLESS STEEL**

**INCH**

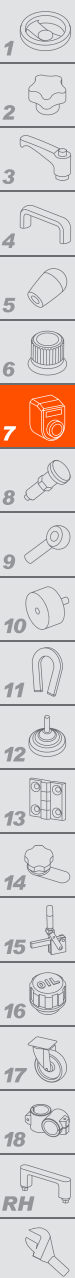
Code	Description	d	⚖️
CE990940	RB50-3/8-1/4-SST	0.250+0.006	0.05

Example of description for ordering



003			Pitch			Speed (rpm)*
003	00.3	0.03	threads per inch	inches per threads		
003	00.3	0.03	10	1.0	1500	
010	01.0	0.10	10	1.0	1500	
020	02.0	0.20	5	2.0	1250	
030	03.0	0.30	-	3.0	830	
040	04.0	0.40	2.5	4.0	625	
050	05.0	0.50	-	5.0	500	
100	10.0	1.00	-	10	250	

\*The maximum rotation speed (rpm) of the spindle reported in the table corresponds to a maximum rotation of 2500 units of the last roll on the right of the counter. Rotational speed tests have been performed in our laboratory under standard operating conditions. Small misalignments (not compromising the correct reading) of counter digits can occur due to high tolerances between gear teeth, designed to prevent damage from sudden acceleration or stop.



Position indicators