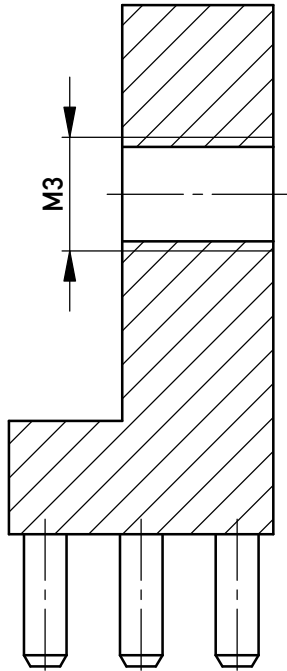
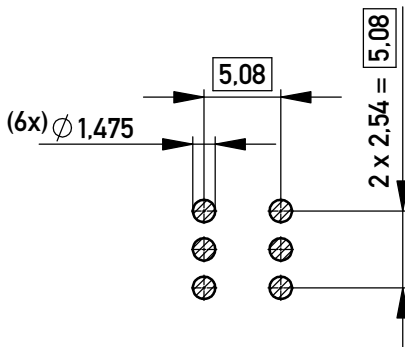


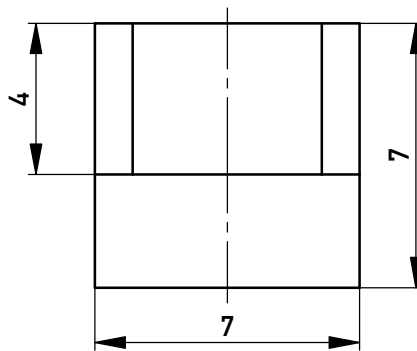
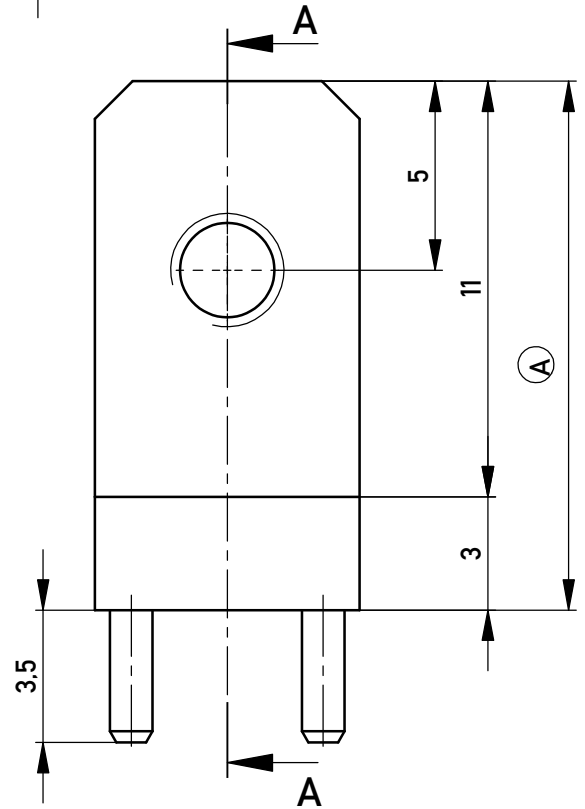
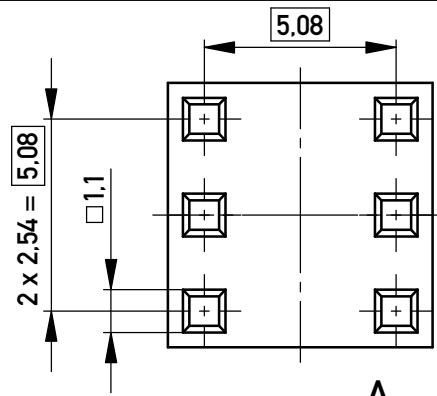
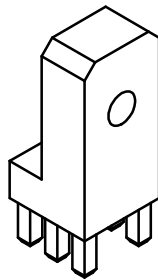
Schnitt A-A
cross section A-A



Layout - Vorschlag
PCB - Layout proposal
M / scale 2:1



M / scale 2:1



2-6 μ m Sn matt über 2-4 μ m Cu
2-6 μ m sn matt over 2-4 μ m cu

(A) Oberfläche / plating

Information:	Tolerances	 All Dimensions in mm	Scale	5:1
	All rights reserved. Only for Information. To ensure that this is the latest version of this drawing, please contact one of the ERNI companies before using.		Subject to modification without prior notice. Drawing will not be updated.	Material:
 www.ERNI.com		Designation		PowerElement Angled Two Row Population M3
	b Index	21.02.2018 Date	225711	
			Class	POWELM

Copyright by ERNI Production GmbH & Co. KG
 Proprietary notice pursuant to ISO 16016 to be observed.