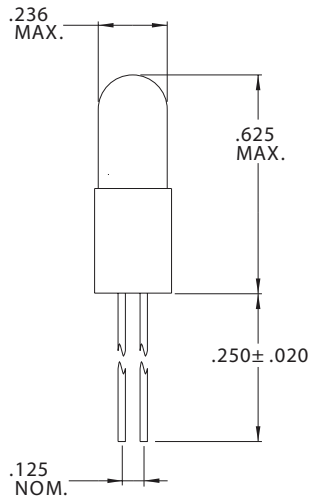


## T-1 3/4 Bi-Pin Base (.125")



Part Number	Design Voltage	Amps	MSCP	Life Hours	Filament Type
CM2332	14.0	.080	.300	50,000	C-2F
CM2335	14.0	.080	.300	15,000	C-2F
CM7330	14.0	.080	.500	1,500	C-2R
CM7373	14.0	.100	.500	10,000	C-2F
CM7382	14.0	.080	.300	15,000	C-2F
CM7410	14.0	.100	.500	15,000	C-2F
CM7003	15.0	.040	.750	2,000	C-2F
CM2311	18.0	.040	.250	1,000	C-2F
CM2316	18.0	.040	.150	10,000	C-2F
CM7370	18.0	.040	.150	10,000	C-2F
CM7459	22.0	.040	.300	2,000	C-2F
CM2313	24.0	.050	.600	1,000	C-2F
CM2341	24.0	.060	.500	5,000	C-2F
CM7001	24.0	.050	.500	1,000	C-2F
CM2312	28.0	.040	.340	1,000	C-2F
CM2314	28.0	.050	.700	1,000	C-2F
CM2324	28.0	.040	.340	4,000	C-2F
CM2325	28.0	.040	.340	1,000	C-2F
CM2329	28.0	.047	.340	2,500	C-2F
CM2342	28.0	.040	.300	25,000	C-2F
CM7136	28.0	.024	.150	4,000	CC-2F
CM7327	28.0	.040	.340	4,000	C-2F
CM7374	28.0	.040	.150	10,000	C-2F
CM7376	28.0	.065	.650	5,000	C-2F
CM7387	28.0	.040	.300	7,000	C-2F
CM7876	28.0	.060	.340	25,000	C-2F
CM7748	48.0	.025	.200	5,000	CC-2F