

NOT RECOMMENDED FOR NEW DESIGNS

Please See LTC2978A for Drop-In Replacement

FEATURES

- I²C/SMBus Serial Interface
- PMBus Compliant Command Set
- Configuration EEPROM with CRC
- Black Box Fault Logging to Internal EEPROM
- Differential Input, 16-Bit $\Delta\Sigma$ ADC with Less Than $\pm 0.25\%$ of Total Unadjusted Error
- Eight Voltage Servos Precisely Adjust Output Voltages Using Eight 10-Bit DACs with Soft-Connect
- Monitors Eight Output Voltages and One Input Voltage and Internal Die Temperature
- 8-Channel Sequencer
- Programmable Watchdog Timer
- Eight UV/OV V_{OUT} and One V_{IN} Supervisor
- Supports Multi-Channel Fault Management
- Operates Autonomously without Additional Software
- LTC2978 Can Be Powered from 3.3V or 4.5V to 15V
- Available in 64-pin 9mm \times 9mm QFN Package

APPLICATIONS

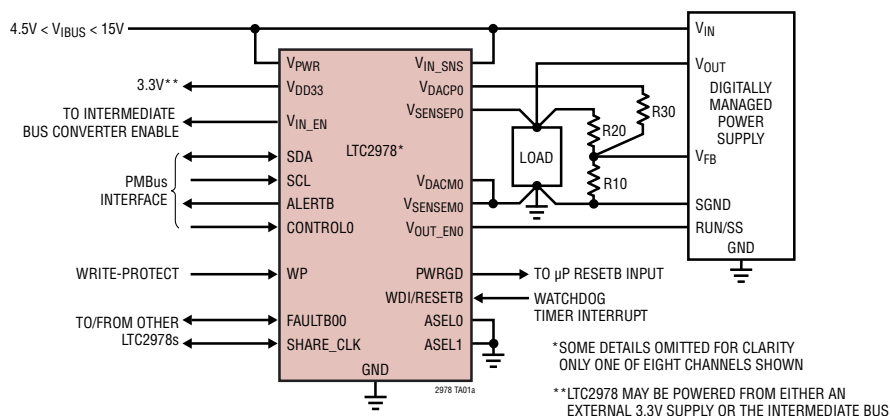
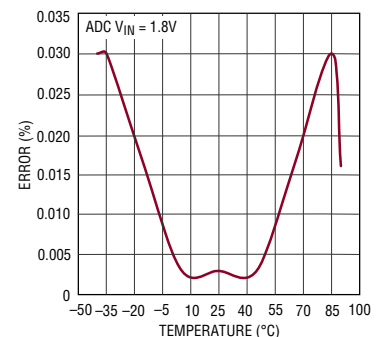
- Computers
- Network Servers
- Industrial Test and Measurement
- High Reliability Systems
- Medical Imaging
- Video

DESCRIPTION

The **LTC[®]2978** is an octal, digital power-supply monitor, supervisor, sequencer, and margin controller. Eight output channels can be managed per user defined configuration settings. Supervisory functions include fault OV/UV threshold limits for eight output channels and one input channel. Programmable fault dependencies and responses allow the power supplies to be disabled with optional retry after a fault has been detected. Serial bus telemetry allows eight output voltages, one input voltage, die temperature and fault status to be monitored. In addition, odd numbered channels can be configured to measure the voltage across a current sense resistor. Power supply sequencing, precision point-of-load voltage adjustment and margining are supported with PMBus commands. A programmable watchdog timer monitors microprocessor activity for a stalled condition and resets the microprocessor if necessary. The 1-wire synchronization bus supports power supply sequencing across multiple LTC digital power supply devices. User programmable parameters can be stored in EEPROM. Faults and telemetry data can be logged to EEPROM for diagnostic analysis.

LT, LTC, LTM, PolyPhase, Linear Technology and the Linear logo are registered trademarks and LTpowerPlay is a trademark of Linear Technology Corporation. All other trademarks are the property of their respective owners. Protected by U.S. Patents including 7382303 and 7420359.

TYPICAL APPLICATION

Octal Power Supply Controller with PMBus Interface

Typical ADC Total Unadjusted Error vs Temperature


2978fd

TABLE OF CONTENTS

| | | | |
|--|-----------|---|-----------|
| Features | 1 | Input Voltage Related Commands..... | 33 |
| Applications | 1 | VIN_ON, VIN_OFF, VIN_OV_FAULT_LIMIT, VIN_ | |
| Typical Application | 1 | OV_WARN_LIMIT, VIN_UV_WARN_LIMIT and | |
| Description | 1 | VIN_UV_FAULT_LIMIT | 33 |
| Absolute Maximum Ratings | 4 | Temperature Related Commands..... | 34 |
| Order Information | 4 | OT_FAULT_LIMIT, OT_WARN_LIMIT, UT_WARN_ | |
| Pin Configuration | 4 | LIMIT and UT_FAULT_LIMIT..... | 34 |
| Electrical Characteristics | 5 | Timer Limits | 34 |
| PMBus Timing Diagram | 9 | TON_DELAY, TON_RISE, TON_MAX_FAULT_ | |
| Typical Performance Characteristics | 10 | LIMIT and TOFF_DELAY..... | 34 |
| Pin Functions | 14 | Fault Response for Voltages Measured by the High | |
| Block Diagram | 16 | Speed Supervisor | 35 |
| Operation | 17 | VOUT_OV_FAULT_RESPONSE and VOUT_UV_ | |
| Operation Overview | 17 | FAULT_RESPONSE | 35 |
| EEPROM | 17 | Fault Response for Values Measured by the ADC ... | 36 |
| Reset | 18 | OT_FAULT_RESPONSE, UT_FAULT_RESPONSE, | |
| Write-Protect Pin | 18 | VIN_OV_FAULT_RESPONSE and VIN_UV_FAULT_ | |
| Other Operations | 18 | RESPONSE | 36 |
| Clock Sharing | 18 | Timed Fault Response | 36 |
| PMBus Serial Digital Interface | 19 | TON_MAX_FAULT_RESPONSE | 36 |
| PMBus..... | 19 | Status Commands | 37 |
| Device Address..... | 22 | STATUS_BYTE:..... | 37 |
| Processing Commands..... | 23 | STATUS_WORD:..... | 38 |
| PMBus Command Summary | 24 | STATUS_VOUT | 38 |
| Summary Table..... | 24 | STATUS_INPUT | 39 |
| Data Formats | 28 | STATUS_TEMPERATURE..... | 39 |
| PMBus Command Description | 29 | STATUS_CML | 40 |
| Operation, Mode and EEPROM Commands | 29 | STATUS_MFR_SPECIFIC | 40 |
| PAGE | 29 | ADC Monitoring Commands | 41 |
| OPERATION | 30 | READ_VIN | 41 |
| ON_OFF_CONFIG | 31 | READ_VOUT | 41 |
| CLEAR_FAULTS..... | 31 | READ_TEMPERATURE_1 | 41 |
| WRITE_PROTECT..... | 32 | PMBUS_REVISION | 41 |
| STORE_USER_ALL and RESTORE_USER_ALL | 32 | Manufacturer Specific Commands..... | 42 |
| CAPABILITY..... | 32 | MFR_CONFIG_LTC2978 | 42 |
| VOUT_MODE | 33 | MFR_CONFIG_ALL_LTC2978 | 43 |
| Output Voltage Related Commands | 33 | MFR_FAULTz0_PROPAGATE, MFR_FAULTz1_ | |
| VOUT_COMMAND, VOUT_MAX, VOUT_MARGIN_ | | PROPAGATE | 44 |
| HIGH, VOUT_MARGIN_LOW, VOUT_OV_FAULT_ | | MFR_PWRGD_EN | 45 |
| LIMIT, VOUT_OV_WARN_LIMIT, VOUT_UV_ | | MFR_FAULTB00_RESPONSE, MFR_FAULTB01_ | |
| WARN_LIMIT, VOUT_UV_FAULT_LIMIT, POWER_ | | RESPONSE, MFR_FAULTB10_RESPONSE and | |
| GOOD_ON and POWER_GOOD_OFF | 33 | MFR_FAULTB11_RESPONSE..... | 46 |

TABLE OF CONTENTS

| | | | |
|--|-----------|---|-----------|
| MFR_VINEN_OV_FAULT_RESPONSE | 47 | Off Sequencing | 64 |
| MFR_VINEN_UV_FAULT_RESPONSE | 48 | V _{OUT} Off Threshold Voltage | 64 |
| MFR_RETRY_DELAY | 48 | Automatic Restart Via MFR_RESTART_DELAY Command and CONTROL _n pin | 64 |
| MFR_RESTART_DELAY | 49 | Fault Management | 64 |
| MFR_VOUT_PEAK | 49 | Output Overvoltage and Undervoltage Faults | 64 |
| MFR_VIN_PEAK | 49 | Output Overvoltage and Undervoltage Warnings | 65 |
| MFR_TEMPERATURE_PEAK | 49 | Configuring the V _{IN_EN} Output | 65 |
| MFR_DAC | 50 | Multichannel Fault Management | 67 |
| MFR_POWERGOOD_ASSERTION_DELAY | 50 | Interconnect Between Multiple LTC2978's | 67 |
| Watchdog Operation | 50 | Application Circuits | 69 |
| MFR_WATCHDOG_T_FIRST and MFR_ WATCHDOG_T | 50 | Trimming and Margining DC/DC Converters with External Feedback Resistors | 69 |
| MFR_PAGE_FF_MASK | 51 | Four-Step Resistor Selection Procedure for DC/DC Converters with External Feedback Resistors | 69 |
| MFR_PADS | 52 | Trimming and Margining DC/DC Converters with a TRIM Pin | 70 |
| MFR_I2C_BASE_ADDRESS | 52 | Two-Step Resistor and DAC Full-Scale Voltage Selection Procedure for DC/DC Converters with a TRIM Pin | 70 |
| MFR_SPECIAL_ID | 52 | Measuring Current | 71 |
| MFR_SPECIAL_LOT | 53 | Measuring Current with a Sense Resistor | 71 |
| MFR_VOUT_DISCHARGE_THRESHOLD | 53 | Measuring Current with Inductor DCR | 71 |
| MFR_COMMON | 53 | Single Phase Design Example | 72 |
| MFR_SPARE0 | 53 | Measuring Multiphase Currents | 72 |
| MFR_SPARE2 | 53 | Multiphase Design Example | 72 |
| MFR_VOUT_MIN | 54 | Anti-aliasing Filter Considerations | 73 |
| MFR_VIN_MIN | 54 | Sensing Negative Voltages | 73 |
| MFR_TEMPERATURE_MIN | 54 | Connecting the USB to I ² C/SMBus/PMBus Controller to the LTC2978 in System | 74 |
| Fault Log Operation | 54 | LTpowerPlay: An Interactive GUI for Digital Power | 76 |
| MFR_FAULT_LOG_STORE | 55 | PCB Assembly and Layout Suggestions | 77 |
| MFR_FAULT_LOG_RESTORE | 55 | Bypass Capacitor Placement | 77 |
| MFR_FAULT_LOG_CLEAR | 55 | Exposed Pad Stencil Design | 77 |
| MFR_FAULT_LOG_STATUS | 55 | PC Board Layout | 77 |
| MFR_FAULT_LOG | 56 | Unused ADC Sense Inputs | 77 |
| Applications Information | 62 | Package Description | 78 |
| Overview | 62 | Revision History | 79 |
| Powering the LTC2978 | 62 | Typical Application | 80 |
| Setting Command Register Values | 62 | Related Parts | 80 |
| Sequence, Servo, Margin and Restart Operations | 62 | | |
| Command Units On or Off | 62 | | |
| On Sequencing | 63 | | |
| On State Operation | 63 | | |
| Servo Modes | 63 | | |
| DAC Modes | 63 | | |
| Margining | 64 | | |

ABSOLUTE MAXIMUM RATINGS

(Notes 1, 2)

Supply Voltages:

| | |
|---------------------------------|----------------|
| V _{PWR} to GND | -0.3V to 15V |
| V _{IN_SNS} to GND..... | -0.3V to 15V |
| V _{DD33} to GND | -0.3V to 3.6V |
| V _{DD25} to GND | -0.3V to 2.75V |

Digital Input/Output Voltages:

| | |
|---|-----------------------------------|
| ALERTB, SDA, SCL, CONTROL0, CONTROL1 | -0.3V to 5.5V |
| PWRGD, SHARE_CLK, WDI/RESETB, WP | -0.3V to V _{DD33} + 0.3V |
| FAULTB00, FAULTB01, FAULTB10, FAULTB11 | -0.3V to V _{DD33} + 0.3V |
| ASELO, ASEL1 | -0.3V to V _{DD33} + 0.3V |

Analog Voltages:

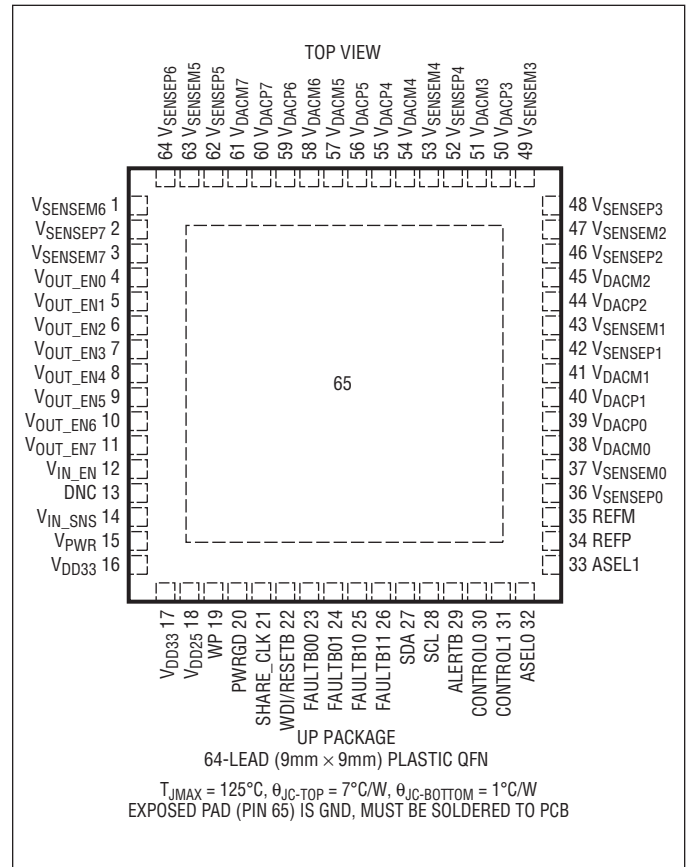
| | |
|--|----------------|
| REFP | -0.3V to 1.35V |
| REFM to GND..... | -0.3V to 0.3V |
| V _{SENSEP} [7:0] to GND | -0.3V to 6V |
| V _{SENSEM} [7:0] to GND | -0.3V to 6V |
| V _{OUT_EN} [3:0], V _{IN_EN} to GND | -0.3V to 15V |
| V _{OUT_EN} [7:4] to GND | -0.3V to 6V |
| V _{DACP} [7:0] to GND | -0.3V to 6V |
| V _{DACM} [7:0] to GND | -0.3V to 0.3V |

Operating Junction Temperature Range:

| | |
|----------------|---------------|
| LTC2978C | 0°C to 70°C |
| LTC2978I | -40°C to 85°C |

Storage Temperature Range

PIN CONFIGURATION



ORDER INFORMATION

| LEAD FREE FINISH | TAPE AND REEL | PART MARKING* | PACKAGE DESCRIPTION | TEMPERATURE RANGE JUNCTION |
|------------------|------------------|---------------|---------------------------------|----------------------------|
| LTC2978CUP#PBF | LTC2978CUP#TRPBF | LTC2978UP | 64-Lead (9mm × 9mm) Plastic QFN | 0°C to 70°C |
| LTC2978IUP#PBF | LTC2978IUP#TRPBF | LTC2978UP | 64-Lead (9mm × 9mm) Plastic QFN | -40°C to 85°C |

Consult LTC Marketing for parts specified with wider operating temperature ranges. *The temperature grade is identified by a label on the shipping container. Consult LTC Marketing for information on non-standard lead based finish parts.

For more information on lead free part marking, go to: <http://www.linear.com/leadfree/>

For more information on tape and reel specifications, go to: <http://www.linear.com/tapeandreel/>

ELECTRICAL CHARACTERISTICS The ● denotes the specifications which apply over the full operating temperature range, otherwise specifications are at $T_J = 25^\circ\text{C}$. $V_{PWR} = V_{IN_SNS} = 12\text{V}$, V_{DD33} , V_{DD25} , REFP and REFM pins floating, unless otherwise indicated. $C_{VDD33} = 100\text{nF}$, $C_{VDD25} = 100\text{nF}$ and $C_{REF} = 100\text{nF}$.

| SYMBOL | PARAMETER | CONDITIONS | MIN | TYP | MAX | UNITS | |
|--|--|--|-----|---------------------------------------|------------|--|----|
| Power-Supply Characteristics | | | | | | | |
| V_{PWR} | V_{PWR} Supply Input Operating Range | | ● | 4.5 | 15 | V | |
| I_{PWR} | V_{PWR} Supply Current | $4.5\text{V} \leq V_{PWR} \leq 15\text{V}$, V_{DD33} Floating | ● | 10 | 13 | mA | |
| I_{VDD33} | V_{DD33} Supply Current | $3.13\text{V} \leq V_{DD33} \leq 3.47\text{V}$, $V_{PWR} = V_{DD33}$ | ● | 10 | 13 | mA | |
| V_{UVLO_VDD33} | V_{DD33} Undervoltage Lockout | V_{DD33} Ramping Up, $V_{PWR} = V_{DD33}$ | ● | 2.35 | 2.55 | 2.8 | V |
| | V_{DD33} Undervoltage Lockout Hysteresis | | | 120 | | mV | |
| V_{DD33} | Supply Input Operating Range | $V_{PWR} = V_{DD33}$ | ● | 3.13 | 3.47 | V | |
| | Regulator Output Voltage | $4.5\text{V} \leq V_{PWR} \leq 15\text{V}$ | ● | 3.13 | 3.26 | 3.47 | V |
| | Regulator Output Short-Circuit Current | $V_{PWR} = 4.5\text{V}$, $V_{DD33} = 0\text{V}$ | ● | 75 | 90 | 140 | mA |
| V_{DD25} | Regulator Output Voltage | $3.13\text{V} \leq V_{DD33} \leq 3.47\text{V}$ | ● | 2.35 | 2.5 | 2.6 | V |
| | Regulator Output Short-Circuit Current | $V_{PWR} = V_{DD33} = 3.47\text{V}$, $V_{DD25} = 0\text{V}$ | ● | 30 | 55 | 80 | mA |
| t_{INIT} | Initialization Time | Time from V_{IN} Applied Until the TON_DELAY Timer Starts | | 135 | | ms | |
| Voltage Reference Characteristics | | | | | | | |
| V_{REF} | Output Voltage | | | 1.232 | | V | |
| | Temperature Coefficient | | | 3 | | ppm/ $^\circ\text{C}$ | |
| | Hysteresis | (Note 3) | | 100 | | ppm | |
| ADC Characteristics | | | | | | | |
| V_{IN_ADC} | Voltage Sense Input Range | Differential Voltage: $V_{IN_ADC} = (V_{SENSEPN} - V_{SENSEMN})$ | ● | 0 | 6 | V | |
| | | Single-Ended Voltage: $V_{SENSEMN}$ | ● | -0.1 | 0.1 | V | |
| | Current Sense Input Range (Odd Numbered Channels Only) | Single-Ended Voltage: $V_{SENSEPN}$, $V_{SENSEMN}$ | ● | -0.1 | 6 | V | |
| | | Differential Voltage: V_{IN_ADC} | ● | -170 | 170 | mV | |
| N_ADC | Voltage Sense Resolution (Uses L16 Format) | $0\text{V} \leq V_{IN_ADC} \leq 6\text{V}$ | | 122 | | $\mu\text{V}/\text{LSB}$ | |
| | Current Sense Resolution (Odd Numbered Channels Only) | $0\text{mV} \leq V_{IN_ADC} < 16\text{mV}$ (Note13) $16\text{mV} \leq V_{IN_ADC} < 32\text{mV}$ $32\text{mV} \leq V_{IN_ADC} < 63.9\text{mV}$ $63.9\text{mV} \leq V_{IN_ADC} < 127.9\text{mV}$ $127.9\text{mV} \leq V_{IN_ADC} $ | | 15.625 31.25 62.5 125 250 | | $\mu\text{V}/\text{LSB}$ $\mu\text{V}/\text{LSB}$ $\mu\text{V}/\text{LSB}$ $\mu\text{V}/\text{LSB}$ $\mu\text{V}/\text{LSB}$ | |
| TUE_ADC | Total Unadjusted Error | $V_{IN_ADC} \geq 1.8\text{V}$ (Note 4) | ● | | ± 0.25 | % | |
| INL_ADC | Integral Nonlinearity | Voltage Sense Mode (Note 5) | ● | | ± 854 | μV | |
| | | Current Sense Mode, Odd Numbered Channels Only, $15.6\mu\text{V}/\text{LSB}$ (Note 5) | ● | | ± 31.3 | μV | |
| DNL_ADC | Differential Nonlinearity | Voltage Sense Mode | ● | | ± 400 | μV | |
| | | Current Sense Mode, Odd Numbered Channels Only | ● | | ± 31.3 | μV | |
| V_{OS_ADC} | Offset Error | Voltage Sense Mode | ● | | ± 250 | μV | |
| | | Current Sense Mode, Odd Numbered Channels Only | ● | | ± 35 | μV | |
| $GAIN_ADC$ | Gain Error | Voltage Sense Mode, $V_{IN_ADC} = 6\text{V}$ | ● | | ± 0.2 | % | |
| | | Current Sense Mode, Odd Numbered Channels Only, $V_{IN_ADC} = \pm 0.17\text{V}$ | ● | | ± 0.2 | % | |

ELECTRICAL CHARACTERISTICS The ● denotes the specifications which apply over the full operating temperature range, otherwise specifications are at $T_J = 25^\circ\text{C}$. $V_{PWR} = V_{IN_SNS} = 12\text{V}$; V_{DD33} , V_{DD25} , REFP and REFM pins floating, unless otherwise indicated. $C_{VDD33} = 100\text{nF}$, $C_{VDD25} = 100\text{nF}$ and $C_{REF} = 100\text{nF}$.

| SYMBOL | PARAMETER | CONDITIONS | MIN | TYP | MAX | UNITS |
|-----------------|----------------------------|---|-----|------|-----------|---------------|
| t_{CONV_ADC} | Conversion Time | Voltage Sense Mode (Note 6) | | 6.15 | | ms |
| | | Current Sense Mode (Note 6) | | 24.6 | | ms |
| | | Temperature Input (Note 6) | | 24.6 | | ms |
| C_{IN_ADC} | Input Sampling Capacitance | | | 1 | | pF |
| f_{IN_ADC} | Input Sampling Frequency | | | 62.5 | | kHz |
| I_{IN_ADC} | Input Leakage Current | $V_{IN_ADC} = 0\text{V}$, $0\text{V} \leq V_{COMMONMODE} \leq 6\text{V}$, Current Sense Mode | ● | | ± 0.5 | μA |
| | Differential Input Current | $V_{IN_ADC} = 0.17\text{V}$, Current Sense Mode | ● | 80 | 250 | nA |
| | | $V_{IN_ADC} = 6\text{V}$, Voltage Sense Mode | ● | 10 | 15 | μA |

DAC Output Characteristics

| | | | | | | | | |
|----------------------------|---|---|-----------------------|-----|-----------|---------------|------|---|
| N_{VDACP} | Resolution | | | 10 | | Bits | | |
| V_{FS_VDACP} | Full-Scale Output Voltage (Programmable) | DAC Code = 0x3FF | Buffer Gain Setting_0 | ● | 1.32 | 1.38 | 1.44 | V |
| | | DAC Polarity = 1 | Buffer Gain Setting_1 | ● | 2.53 | 2.65 | 2.77 | V |
| INL_VDACP | Integral Nonlinearity | (Note 7) | ● | | ± 2 | LSB | | |
| DNL_VDACP | Differential Nonlinearity | (Note 7) | ● | | ± 2.4 | LSB | | |
| V_{OS_VDACP} | Offset Voltage | (Note 7) | ● | | ± 10 | mV | | |
| V_{DACP} | Load Regulation ($V_{DACPn} - V_{DACMn}$) | $V_{DACPn} = 2.65\text{V}$, I_{VDACPn} Sourcing = 2mA | | | 100 | ppm/mA | | |
| | | $V_{DACPn} = 0.1\text{V}$, I_{VDACPn} Sinking = 2mA | | | 100 | ppm/mA | | |
| | PSRR ($V_{DACPn} - V_{DACMn}$) | DC: $3.13\text{V} \leq V_{DD33} \leq 3.47\text{V}$, $V_{PWR} = V_{DD33}$ | | | 60 | dB | | |
| | | 100mV Step in 20ns with 50pF Load | | | 40 | dB | | |
| | DC CMRR ($V_{DACPn} - V_{DACMn}$) | $-0.1\text{V} \leq V_{DACMn} \leq 0.1\text{V}$ | | | 60 | dB | | |
| | Leakage Current | V_{DACPn} Hi-Z, $0\text{V} \leq V_{DACPn} \leq 6\text{V}$ | ● | | ± 100 | nA | | |
| | Short-Circuit Current Low | V_{DACPn} Shorted to GND | ● | -10 | | -4 | mA | |
| Short-Circuit Current High | V_{DACPn} Shorted to V_{DD33} | ● | 4 | | 10 | mA | | |
| C_{OUT} | Output Capacitance | V_{DACPn} Hi-Z | | 10 | | pF | | |
| t_{S_VDACP} | DAC Output Update Rate | Fast Servo Mode | | 250 | | μs | | |

Voltage Supervisor Characteristics

| | | | | | | | |
|--------------|------------------------------------|---|----------------------|-------|------------|---------------|---|
| V_{IN_VS} | Input Voltage Range (Programmable) | $V_{IN_VS} = (V_{SENSEPN} - V_{SENSEMn})$ | Low Resolution Mode | ● | 0 | 6 | V |
| | | | High Resolution Mode | ● | 0 | 3.8 | V |
| | | Single-Ended Voltage: $V_{SENSEMn}$ | | ● | -0.1 | 0.1 | V |
| N_{VS} | Voltage Sensing Resolution | 0V to 3.8V Range: High Resolution Mode | | | 4 | mV/LSB | |
| | | 0V to 6V Range: Low Resolution Mode | | | 8 | mV/LSB | |
| TUE_VS | Total Unadjusted Error | $2\text{V} \leq V_{IN_VS} \leq 6\text{V}$, Low Resolution Mode | ● | | ± 1.25 | % | |
| | | $1.5\text{V} < V_{IN_VS} \leq 3.8\text{V}$, High Resolution Mode | ● | | ± 1.0 | % | |
| | | $0.8\text{V} \leq V_{IN_VS} \leq 1.5\text{V}$, High Resolution Mode | ● | | ± 1.5 | % | |
| t_{S_VS} | Update Rate | | | 12.21 | | μs | |

V_{IN_SNS} Input Characteristics

| | | | | | | |
|----------------|-----------------------------------|---|----|----|-----|------------|
| V_{IN_SNS} | V_{IN_SNS} Input Voltage Range | ● | 0 | 15 | V | |
| R_{VIN_SNS} | V_{IN_SNS} Input Resistance | ● | 70 | 90 | 110 | k Ω |

ELECTRICAL CHARACTERISTICS The ● denotes the specifications which apply over the full operating temperature range, otherwise specifications are at $T_J = 25^\circ\text{C}$. $V_{PWR} = V_{IN_SNS} = 12\text{V}$; V_{DD33} , V_{DD25} , REFP and REFM pins floating, unless otherwise indicated. $C_{VDD33} = 100\text{nF}$, $C_{VDD25} = 100\text{nF}$ and $C_{REF} = 100\text{nF}$.

| SYMBOL | PARAMETER | CONDITIONS | | MIN | TYP | MAX | UNITS |
|--|---|--|---|--------|------|------|--------|
| TUE _{VIN_SNS} | VIN_ON, VIN_OFF Threshold Total Unadjusted Error | $3\text{V} \leq V_{VIN_SNS} \leq 8\text{V}$ | ● | | | ±2.0 | % |
| | | $V_{VIN_SNS} > 8\text{V}$ | ● | | | ±1.0 | % |
| | READ_VIN Total Unadjusted Error | $3\text{V} \leq V_{VIN_SNS} \leq 8\text{V}$ | ● | | | ±1.5 | % |
| | | $V_{VIN_SNS} > 8\text{V}$ | ● | | | ±1.0 | % |
| DAC Soft-Connect Comparator Characteristics | | | | | | | |
| V _{OS_CMP} | Offset Voltage | | ● | | ±3 | ±18 | mV |
| Temperature Sensor Characteristics | | | | | | | |
| TUE _{TS} | Total Unadjusted Error | | | | ±1 | | °C |
| V_{OUT} Enable Output (V_{OUT_EN} [3:0]) Characteristics | | | | | | | |
| V _{VOUT_ENn} | Output High Voltage (Note 12) | $I_{VOUT_ENn} = -5\mu\text{A}$, $V_{DD33} = 3.3\text{V}$ | ● | 11.6 | 12.5 | 14.7 | V |
| I _{VOUT_ENn} | Output Sourcing Current | V_{VOUT_ENn} Pull-Up Enabled, $V_{VOUT_ENn} = 1\text{V}$ | ● | -5 | -6 | -8 | μA |
| | Output Sinking Current | Strong Pull-Down Enabled, $V_{VOUT_ENn} = 0.4\text{V}$ | ● | 3 | 5 | 8 | mA |
| | | Weak Pull-Down Enabled, $V_{VOUT_ENn} = 0.4\text{V}$ | ● | 33 | 50 | 60 | μA |
| | Output Leakage Current | Internal Pull-Up Disabled, $0\text{V} \leq V_{VOUT_ENn} \leq 15\text{V}$ | ● | | | ±1 | μA |
| V_{OUT} Enable Output (V_{OUT_EN} [7:4]) Characteristics | | | | | | | |
| I _{VOUT_ENn} | Output Sinking Current | Strong Pull-Down Enabled, $V_{VOUT_ENn} = 0.1\text{V}$ | ● | 3 | 6 | 9 | mA |
| | Output Leakage Current | $0\text{V} \leq V_{VOUT_ENn} \leq 6\text{V}$ | ● | | | ±1 | μA |
| V_{IN} Enable Output (V_{IN_EN}) Characteristics | | | | | | | |
| V _{VIN_EN} | Output High Voltage | $I_{VIN_EN} = -5\mu\text{A}$, $V_{DD33} = 3.3\text{V}$ | ● | 11.6 | 12.5 | 14.7 | V |
| I _{VIN_EN} | Output Sourcing Current | V_{IN_EN} Pull-Up Enabled, $V_{VIN_EN} = 1\text{V}$ | ● | -5 | -6 | -8 | μA |
| | Output Sinking Current | $V_{VIN_EN} = 0.4\text{V}$ | ● | 3 | 5 | 8 | mA |
| | Leakage Current | Internal Pull-Up Disabled, $0\text{V} \leq V_{VIN_EN} \leq 15\text{V}$ | ● | | | ±1 | μA |
| EEPROM Characteristics | | | | | | | |
| Endurance | (Notes 8, 11) | $0^\circ\text{C} < T_J < 85^\circ\text{C}$ During EEPROM Write Operations | ● | 10,000 | | | Cycles |
| Retention | (Notes 8, 11) | $T_J < 85^\circ\text{C}$ | ● | 10 | | | Years |
| t _{MASS_WRITE} | Mass Write Operation Time (Note 9) | STORE_USER_ALL, $0^\circ\text{C} < T_J < 85^\circ\text{C}$ During EEPROM Write Operations | ● | | 440 | 4100 | ms |
| Digital Inputs SCL, SDA, CONTROL0, CONTROL1, WDI/RESETB, FAULTB00, FAULTB01, FAULTB10, FAULTB11, WP | | | | | | | |
| V _{IH} | High Level Input Voltage | | ● | 2.1 | | | V |
| V _{IL} | Low Level Input Voltage | | ● | | | 1.5 | V |
| V _{HYST} | Input Hysteresis | | | | 20 | | mV |
| I _{LEAK} | Input Leakage Current | $0\text{V} \leq V_{PIN} \leq 5.5\text{V}$, SDA, SCL, CONTROL _n Pins Only | ● | | | ±2 | μA |
| | | $0\text{V} \leq V_{PIN} \leq V_{DD33} + 0.3\text{V}$, FAULTB _{zn} , WDI/RESETB, WP Pins Only | ● | | | ±2 | μA |
| t _{SP} | Pulse Width of Spike Suppressed | FAULTB _{zn} , CONTROL _n Pins Only | | | 10 | | μs |
| | | SDA, SCL Pins Only | | | 98 | | ns |
| t _{FAULT_MIN} | Minimum Low Pulse Width for Externally Generated Faults | | | 110 | | | ms |

2978fd

ELECTRICAL CHARACTERISTICS The ● denotes the specifications which apply over the full operating temperature range, otherwise specifications are at $T_J = 25^\circ\text{C}$. $V_{\text{PWR}} = V_{\text{IN, SNS}} = 12\text{V}$; V_{DD33} , V_{DD25} , REFP and REFM pins floating, unless otherwise indicated. $C_{\text{VDD33}} = 100\text{nF}$, $C_{\text{VDD25}} = 100\text{nF}$ and $C_{\text{REF}} = 100\text{nF}$.

| SYMBOL | PARAMETER | CONDITIONS | MIN | TYP | MAX | UNITS |
|---------------------|-------------------------------------|--|-----|-----|-----|---------------|
| t_{RESETB} | Pulse Width to Assert Reset | $V_{\text{WDI/RESETB}} \leq 1.5\text{V}$ | ● | 300 | | μs |
| t_{WDI} | Pulse Width to Reset Watchdog Timer | $V_{\text{WDI/RESETB}} \leq 1.5\text{V}$ | ● | 0.3 | 200 | μs |
| f_{WDI} | Watchdog Interrupt Input Frequency | | ● | | 1 | MHz |
| C_{IN} | Digital Input Capacitance | | | 10 | | pF |

Digital Input SHARE_CLK

| | | | | | | |
|-----------------------------|---------------------------------|--|---|-------|---------|---------------|
| V_{IH} | High Level Input Voltage | | ● | 1.6 | | V |
| V_{IL} | Low Level Input Voltage | | ● | | 0.8 | V |
| $f_{\text{SHARE_CLK_IN}}$ | Input Frequency Operating Range | | ● | 90 | 110 | kHz |
| t_{LOW} | Assertion Low Time | $V_{\text{SHARE_CLK}} < 0.8\text{V}$ | ● | 0.825 | 1.1 | μs |
| t_{RISE} | Rise Time | $V_{\text{SHARE_CLK}} < 0.8\text{V}$ to $V_{\text{SHARE_CLK}} > 1.6\text{V}$ | ● | | 450 | ns |
| I_{LEAK} | Input Leakage Current | $0\text{V} \leq V_{\text{SHARE_CLK}} \leq V_{\text{DD33}} + 0.3\text{V}$ | ● | | ± 1 | μA |
| C_{IN} | Input Capacitance | | | 10 | | pF |

Digital Outputs SDA, ALERTB, PWRGD, SHARE_CLK, FAULTB00, FAULTB01, FAULTB10, FAULTB11

| | | | | | | | |
|------------------------------|----------------------------------|---|---|----|-----|-----|-----|
| V_{OL} | Digital Output Low Voltage | $I_{\text{SINK}} = 3\text{mA}$ | ● | | 0.4 | V | |
| $f_{\text{SHARE_CLK_OUT}}$ | Output Frequency Operating Range | 5.49k Ω Pull-Up to V_{DD33} | ● | 90 | 100 | 110 | kHz |

Digital Inputs ASELO, ASEL1

| | | | | | | |
|---------------------|------------------------------|--|---|-------------------------|----------|---------------|
| V_{IH} | Input High Threshold Voltage | | ● | $V_{\text{DD33}} - 0.5$ | | V |
| V_{IL} | Input Low Threshold Voltage | | ● | | 0.5 | V |
| $I_{\text{IH, IL}}$ | High, Low Input Current | $\text{ASEL}[1:0] = 0$, V_{DD33} | ● | | ± 95 | μA |
| $I_{\text{IH, Z}}$ | Hi-Z Input Current | | ● | | ± 24 | μA |
| C_{IN} | Input Capacitance | | | 10 | | pF |

Serial Bus Timing Characteristics

| | | | | | | | |
|---------------------------|---|--------------------|---|-----|-----|---------------|----|
| f_{SCL} | Serial Clock Frequency (Note 10) | | ● | 10 | 400 | kHz | |
| t_{LOW} | Serial Clock Low Period (Note 10) | | ● | 1.3 | | μs | |
| t_{HIGH} | Serial Clock High Period (Note 10) | | ● | 0.6 | | μs | |
| t_{BUF} | Bus Free Time Between Stop and Start (Note 10) | | ● | 1.3 | | μs | |
| $t_{\text{HD, STA}}$ | Start Condition Hold Time (Note 10) | | ● | 600 | | ns | |
| $t_{\text{SU, STA}}$ | Start Condition Setup Time (Note 10) | | ● | 600 | | ns | |
| $t_{\text{SU, STO}}$ | Stop Condition Setup Time (Note 10) | | ● | 600 | | ns | |
| $t_{\text{HD, DAT}}$ | Data Hold Time (LTC2978 Receiving Data) (Note 10) | | ● | 0 | | ns | |
| | Data Hold Time (LTC2978 Transmitting Data) (Note 10) | | ● | 300 | 900 | ns | |
| $t_{\text{SU, DAT}}$ | Data Setup Time (Note 10) | | ● | 100 | | ns | |
| t_{SP} | Pulse Width of Spike Suppressed (Note 10) | | | | 98 | ns | |
| $t_{\text{TIMEOUT_BUS}}$ | Time Allowed to Complete any PMBus Command After Which Time SDA Will Be Released and Command Terminated | Longer Timeout = 0 | ● | | 25 | 35 | ms |
| | | Longer Timeout = 1 | ● | | 200 | 280 | ms |

ELECTRICAL CHARACTERISTICS

Note 1: Stresses beyond those listed under Absolute Maximum Ratings may cause permanent damage to the device. Exposure to any Absolute Maximum Rating for extended periods may affect device reliability and lifetime.

Note 2: All currents into device pins are positive. All currents out of device pins are negative. All voltages are referenced to ground unless otherwise specified. If power is supplied to the chip via the V_{DD33} pin only, connect V_{PWR} and V_{DD33} pins together.

Note 3: Hysteresis in the output voltage is created by package stress that differs depending on whether the IC was previously at a higher or lower temperature. Output voltage is always measured at 25°C, but the IC is cycled to 85°C or –40°C before successive measurements. Hysteresis is roughly proportional to the square of the temperature change.

Note 4: TUE(%) is defined as:

$$\text{Gain Error (\%)} + 100 \cdot (\text{INL} + V_{OS})/V_{IN}$$

Note 5: Integral nonlinearity (INL) is defined as the deviation of a code from a straight line passing through the actual endpoints of the transfer curve (0V and 6V). The deviation is measured from the center of the quantization band.

Note 6: The time between successive ADC conversions (latency of the ADC) for any given channel is given as: 36.9ms + (6.15ms • number of ADC channels configured in Low Resolution mode) + (24.6ms • number of ADC channels configured in High Resolution mode).

Note 7: Nonlinearity is defined from the first code that is greater than or equal to the maximum offset specification to full-scale code, 1023.

Note 8: EEPROM endurance and retention are guaranteed by design, characterization and correlation with statistical process controls. The minimum retention specification applies for devices whose EEPROM has been cycled less than the minimum endurance specification.

Note 9: The LTC2978 will not acknowledge any PMBus commands while a mass write operation is being executed. This includes the STORE_USER_ALL and MFR_FAULT_LOG_STORE commands or a fault log store initiated by a channel faulting off.

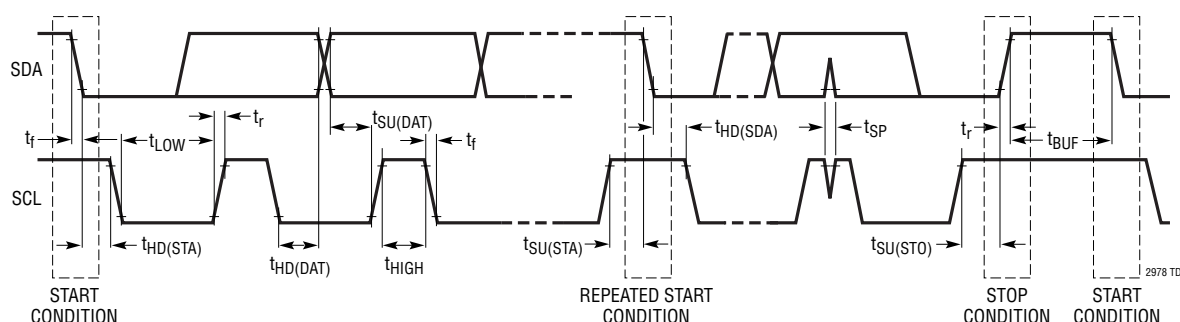
Note 10: Maximum capacitive load, C_B , for SCL and SDA is 400pF. Data and clock rise time (t_r) and fall time (t_f) are: $(20 + 0.1 \cdot C_B)$ (ns) < t_r < 300ns and $(20 + 0.1 \cdot C_B)$ (ns) < t_f < 300ns. C_B = capacitance of one bus line in pF. SCL and SDA external pull-up voltage, V_{I0} , is 3.13V < V_{I0} < 5.5V.

Note 11: EEPROM endurance and retention will be degraded when $T_J > 85^\circ\text{C}$.

Note 12: Output enable pins are charge pumped from V_{DD33} .

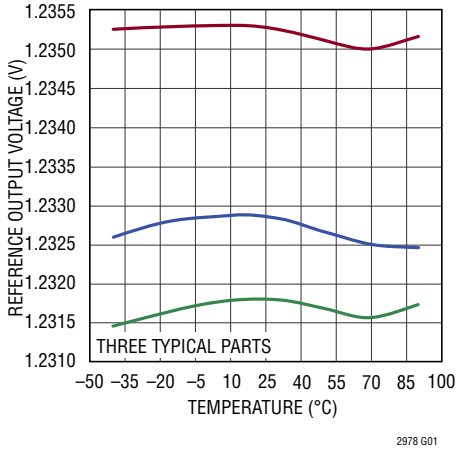
Note 13: The current sense resolution is determined by the L11 format and the mV units of the returned value. For example a full scale value of 170mV returns a L11 value of 0xF2A8 = $680 \cdot 2^{-2} = 170$. This is the lowest range that can represent this value without overflowing the L11 mantissa and the resolution for 1LSB in this range is $2^{-2} \text{ mV} = 250\mu\text{V}$. Each successively lower range improves resolution by cutting the LSB size in half.

PMBUS TIMING DIAGRAM

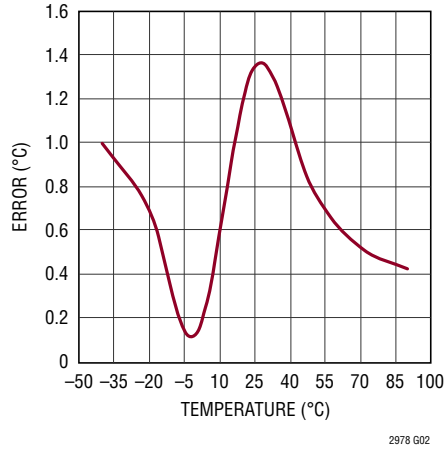


TYPICAL PERFORMANCE CHARACTERISTICS

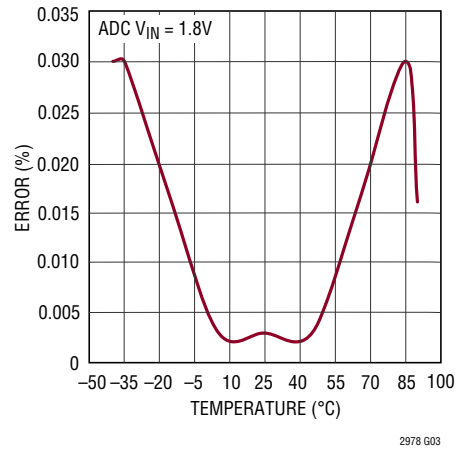
Reference Voltage vs Temperature



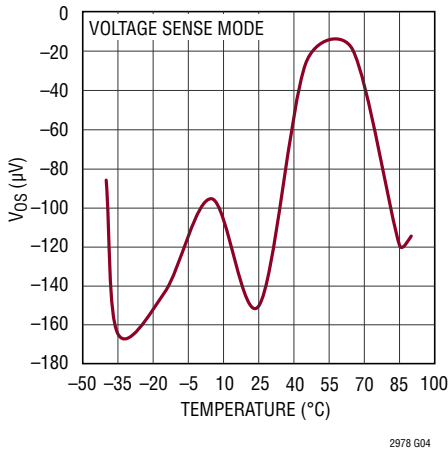
Temperature Sensor Error vs Temperature



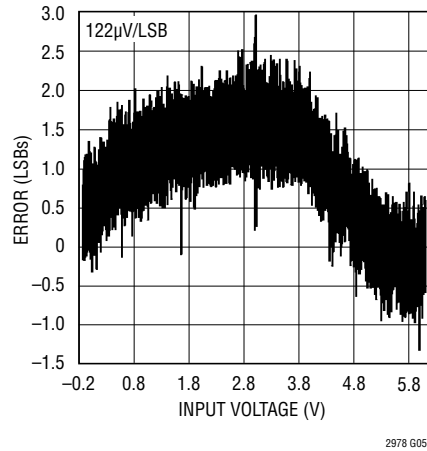
ADC Total Unadjusted Error vs Temperature



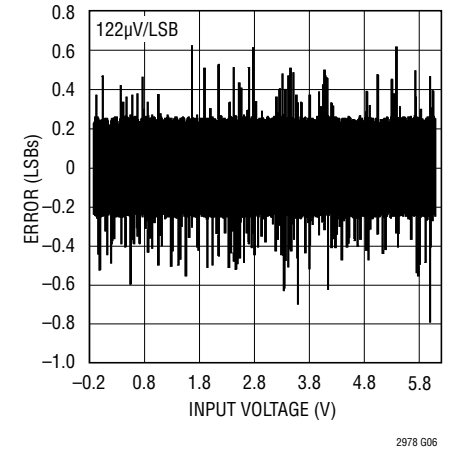
ADC Zero Code Center Offset Voltage vs Temperature



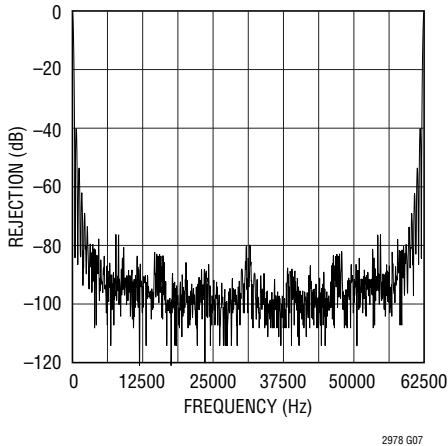
ADC-INL



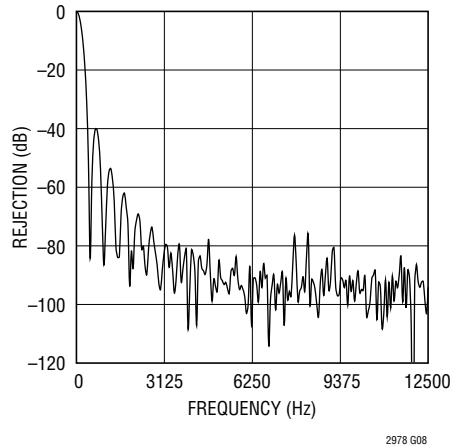
ADC-DNL



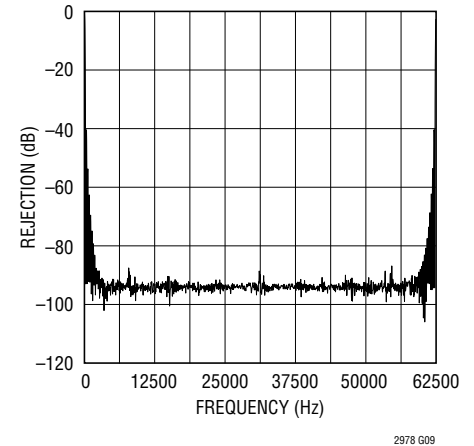
ADC Rejection vs Frequency at V_{IN}



ADC Rejection vs Frequency at V_{IN} (Zoom)

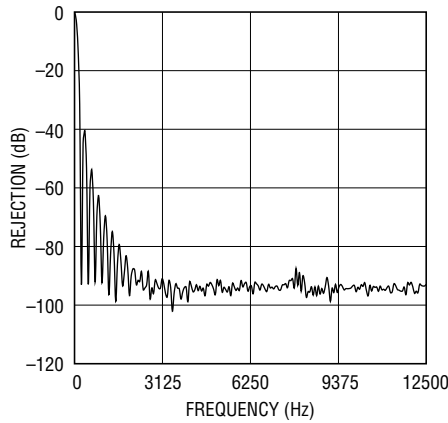


ADC Rejection vs Frequency at V_{IN} (Current Sense Mode)



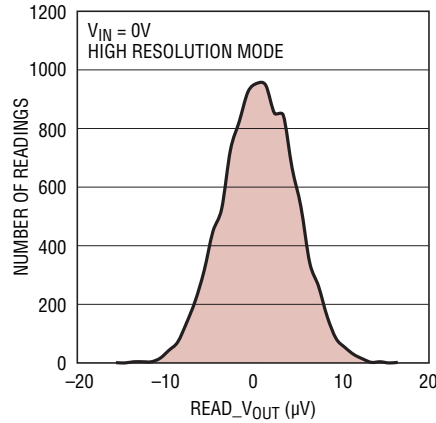
TYPICAL PERFORMANCE CHARACTERISTICS

ADC Rejection vs Frequency at V_{IN} (Current Sense Mode, Zoom)



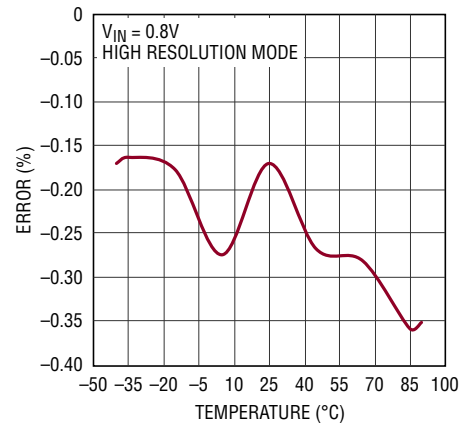
2978 G10

ADC Noise Histogram



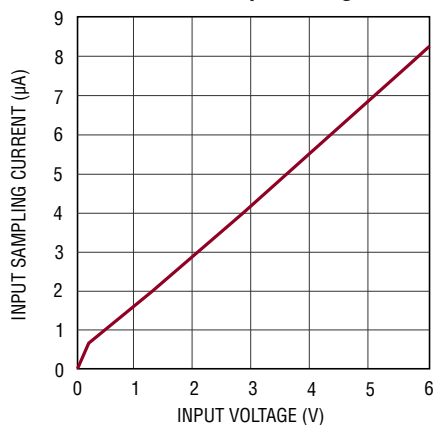
2978 G11

Voltage Supervisor Total Unadjusted Error vs Temperature



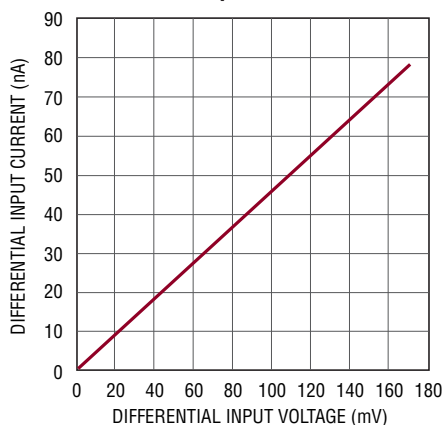
2978 G12

Input Sampling Current vs Differential Input Voltage



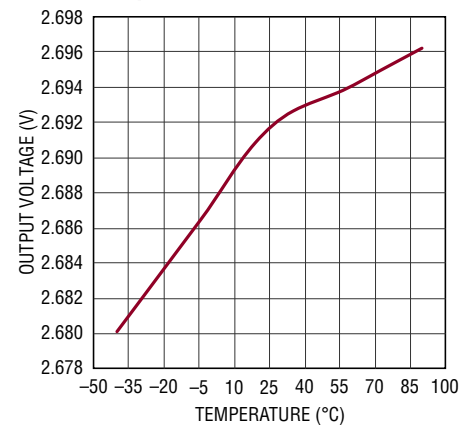
2978 G13

ADC High Resolution Mode Differential Input Current



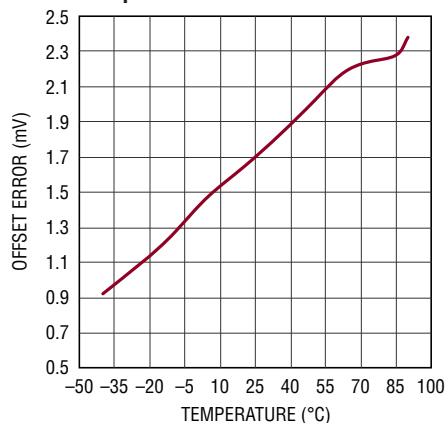
2978 G14

DAC Full-Scale Output Voltage vs Temperature



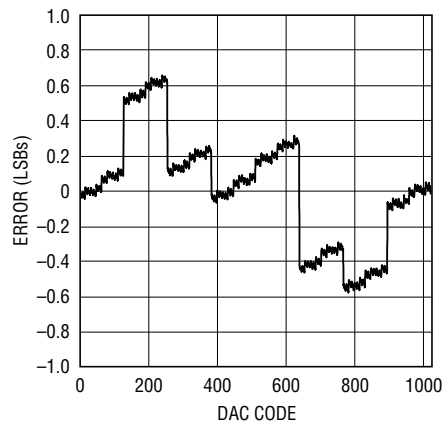
2978 G15

DAC Offset Voltage vs Temperature



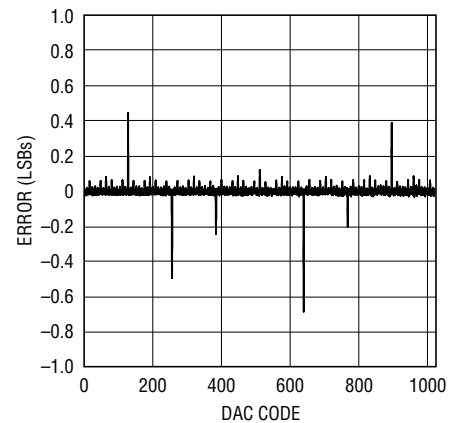
2978 G16

DAC-INL



2978 G17

DAC-DNL

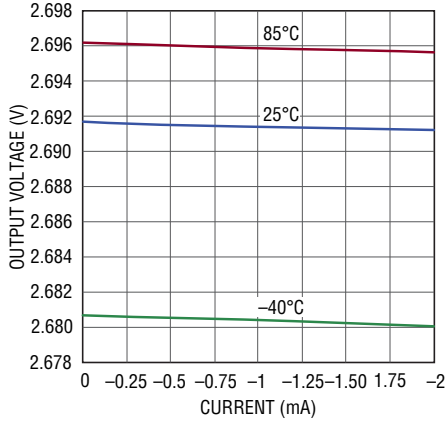


2978 G18

2978fd

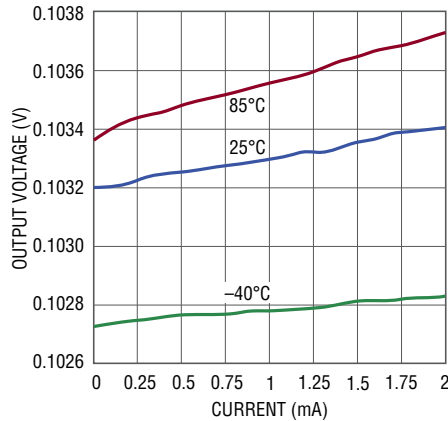
TYPICAL PERFORMANCE CHARACTERISTICS

DAC Load Regulation (Sourcing)



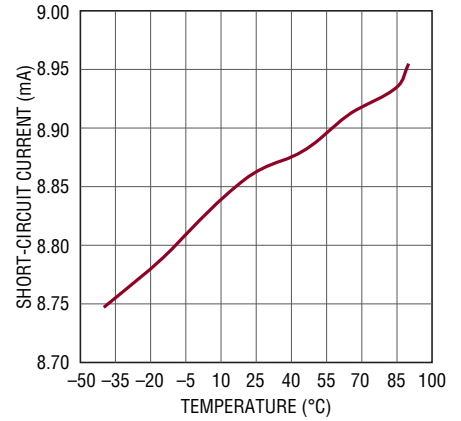
2978 G19

DAC Load Regulation (Sinking)



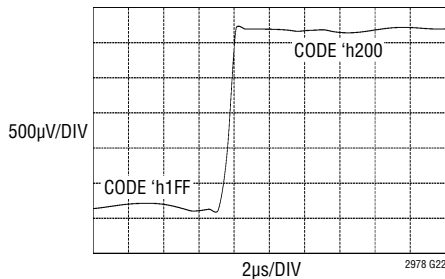
2978 G20

DAC Short-Circuit Current vs Temperature

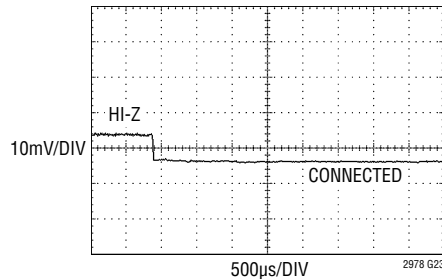


2978 G21

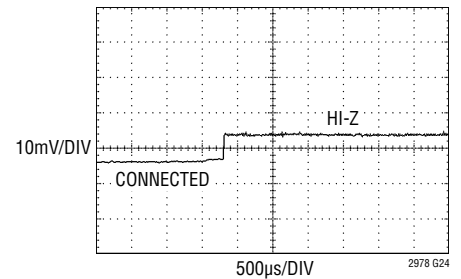
DAC Transient Response to 1LSB DAC Code Change



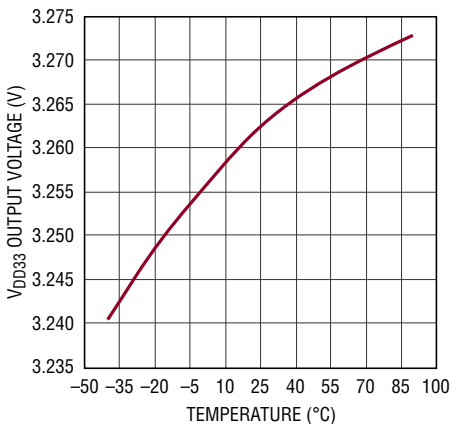
DAC Soft Connect Transient Response when Transitioning from Hi-Z State to ON State



DAC Soft Connect Transient Response when Transitioning from ON State to Hi-Z State

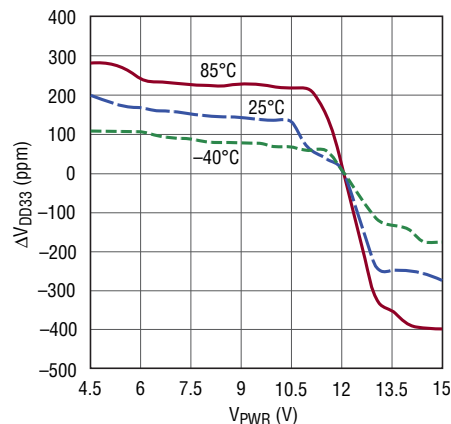


V_{DD33} Regulator Output Voltage vs Temperature



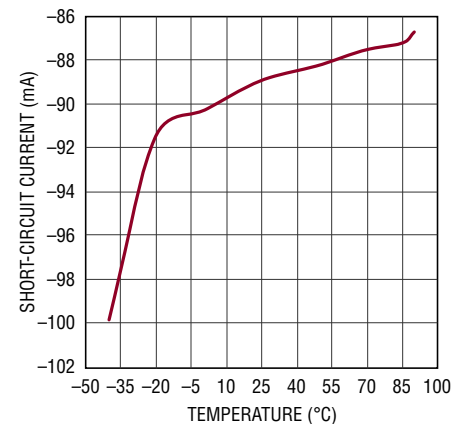
2978 G25

V_{DD33} Regulator Line Regulation



2978 G26

V_{DD33} Regulator Short-Circuit Current vs Temperature

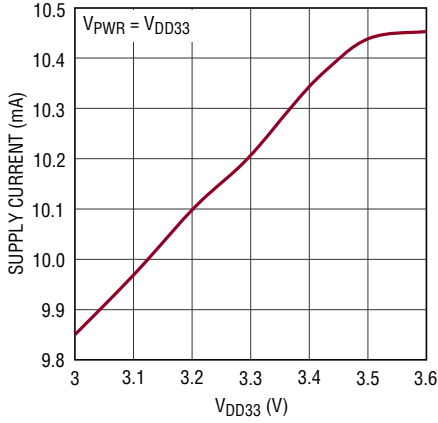


2978 G27

2978fd

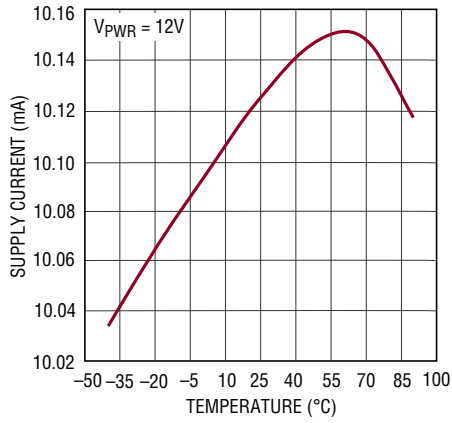
TYPICAL PERFORMANCE CHARACTERISTICS

Supply Current vs Supply Voltage



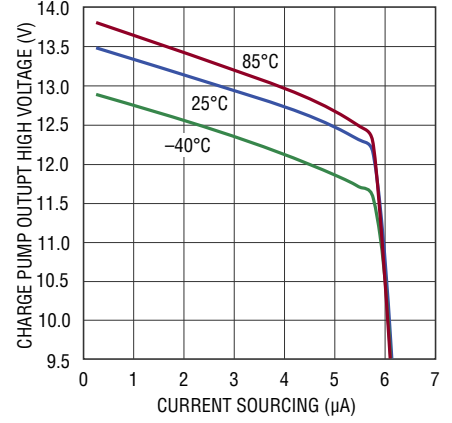
2978 G28

Supply Current vs Temperature



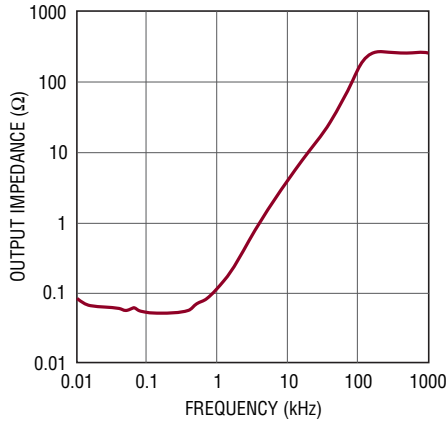
2978 G29

V_{OUT_EN[3:0]} and V_{IN_EN} Output High Voltage vs Load Current



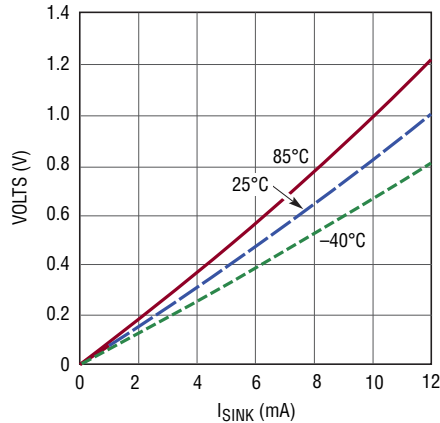
2978 G30

DAC Output Impedance vs Frequency



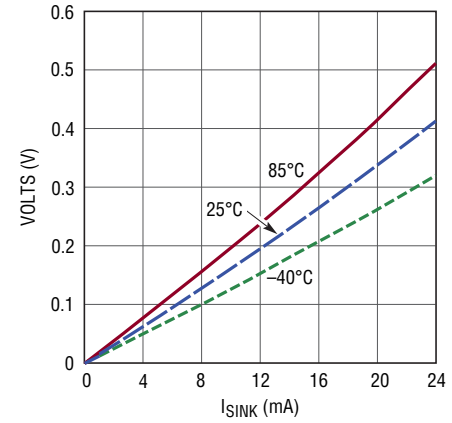
2978 G31

V_{OUT_EN[3:0]} and V_{IN_EN} V_{OL} vs Current



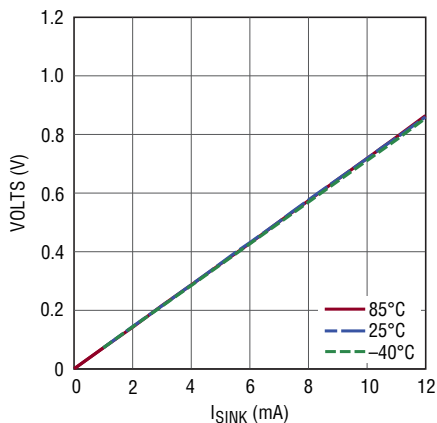
2978 G32

V_{OUT_EN[7:4]} V_{OL} vs Current



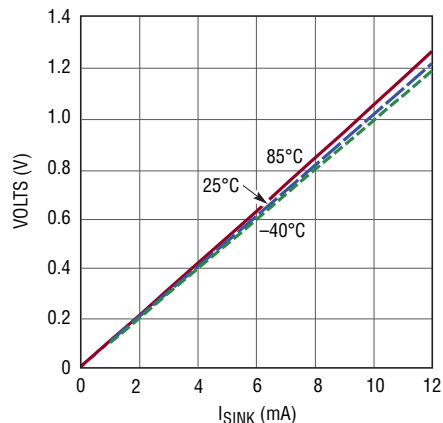
2978 G33

PWRGD and FAULTBzn V_{OL} vs Current



2978 G34

ALERTB V_{OL} vs Current



2978 G35

2978fd

PIN FUNCTIONS

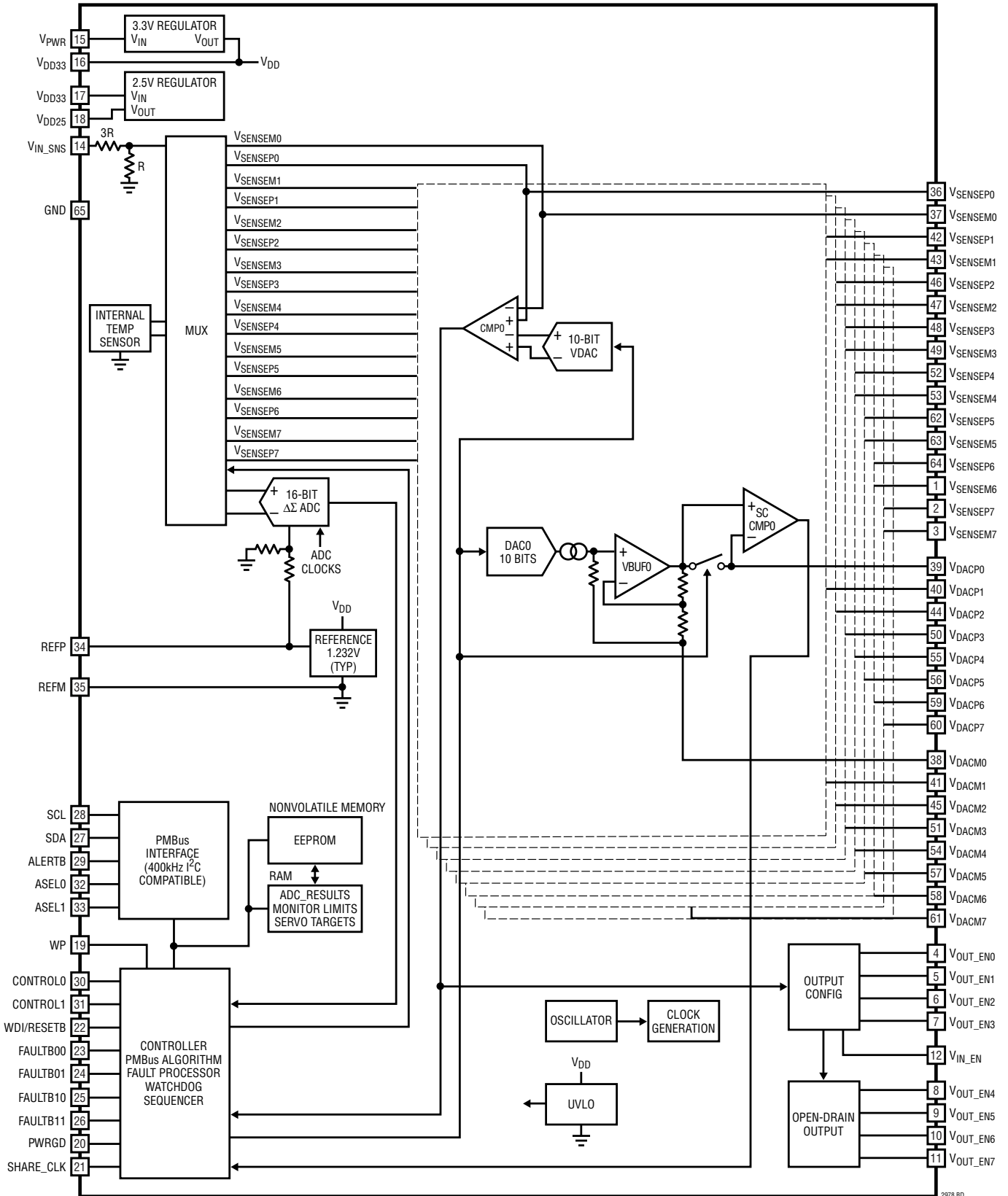
| PIN NAME | PIN NUMBER | PIN TYPE | DESCRIPTION |
|-----------------------|------------|----------------|--|
| V _{SENSE} M6 | 1* | In | DC/DC Converter Differential (-) Output Voltage-6 Sensing Pin |
| V _{SENSE} P7 | 2* | In | DC/DC Converter Differential (+) Output Voltage or Current-7 Sensing Pin |
| V _{SENSE} M7 | 3* | In | DC/DC Converter Differential (-) Output Voltage or Current-7 Sensing Pin |
| V _{OUT} _EN0 | 4 | Out | DC/DC Converter Enable-0 Pin. Output High Voltage Optionally Pulled Up to 12V by 5 μ A |
| V _{OUT} _EN1 | 5 | Out | DC/DC Converter Enable-1 Pin. Output High Voltage Optionally Pulled Up to 12V by 5 μ A |
| V _{OUT} _EN2 | 6 | Out | DC/DC Converter Enable-2 Pin. Output High Voltage Optionally Pulled Up to 12V by 5 μ A |
| V _{OUT} _EN3 | 7 | Out | DC/DC Converter Enable-3 Pin. Output High Voltage Optionally Pulled Up to 12V by 5 μ A |
| V _{OUT} _EN4 | 8 | Out | DC/DC Converter Open-Drain Pull-Down Output-4 |
| V _{OUT} _EN5 | 9 | Out | DC/DC Converter Open-Drain Pull-Down Output-5 |
| V _{OUT} _EN6 | 10 | Out | DC/DC Converter Open-Drain Pull-Down Output-6 |
| V _{OUT} _EN7 | 11 | Out | DC/DC Converter Open-Drain Pull-Down Output-7 |
| V _{IN} _EN | 12 | Out | DC/DC Converter V _{IN} ENABLE Pin. Output High Voltage Optionally Pulled Up to 12V by 5 μ A |
| DNC | 13 | Do Not Connect | Do Not Connect to This Pin |
| V _{IN} _SNS | 14 | In | V _{IN} SENSE Input. This Voltage is Compared Against the V _{IN} On and Off Voltage Thresholds in Order to Determine When to Enable and Disable, Respectively, the Downstream DC/DC Converters. |
| V _{PWR} | 15 | In | V _{PWR} Serves as the Unregulated Power Supply Input to the Chip (4.5V to 15V). If a 4.5V to 15V Supply Voltage is Unavailable, Short V _{PWR} to V _{DD33} and Power the Chip Directly from a 3.3V Supply. Bypass to GND with 0.1 μ F Capacitor. |
| V _{DD33} | 16 | In/Out | If Shorted to V _{PWR} , it Serves as 3.13V to 3.47V Supply Input Pin. Otherwise, it is a 3.3V Internally Regulated Voltage Output (Use 0.1 μ F Decoupling Capacitor to GND). |
| V _{DD33} | 17 | In | Input for Internal 2.5V Sub-Regulator. Short This Pin to Pin 16 |
| V _{DD25} | 18 | In/Out | 2.5V Internally Regulated Voltage Output. Bypass to GND with a 0.1 μ F Capacitor. |
| WP | 19 | In | Digital Input. Write-Protect Input Pin, Active High |
| PWRGD | 20 | Out | Power Good Open-Drain Output. Indicates When Outputs are Power Good. Can be Used as System Power-On Reset. The Latency of This Signal May Be as Long as the ADC Latency. See Note 6. |
| SHARE_CLK | 21 | In/Out | Bidirectional Clock Sharing Pin. Connect a 5.49k Pull-Up Resistor to V _{DD33} . |
| WDI/RESETB | 22 | In | Watchdog Timer Interrupt and Chip Reset Input. Connect a 10k Pull-Up Resistor to V _{DD33} . Rising Edge Resets Watchdog Counter. Holding This Pin Low for More Than t _{RESETB} Resets the Chip. |
| FAULTB00 | 23 | In/Out | Open-Drain Output and Digital Input. Active Low Bidirectional Fault Indicator-00. Connect a 10k Pull-Up Resistor to V _{DD33} . |
| FAULTB01 | 24 | In/Out | Open-Drain Output and Digital Input. Active Low Bidirectional Fault Indicator-01. Connect a 10k Pull-Up Resistor to V _{DD33} . |
| FAULTB10 | 25 | In/Out | Open-Drain Output and Digital Input. Active Low Bidirectional Fault Indicator-10. Connect a 10k Pull-Up Resistor to V _{DD33} . |
| FAULTB11 | 26 | In/Out | Open-Drain Output and Digital Input. Active Low Bidirectional Fault Indicator-11. Connect a 10k Pull-Up Resistor to V _{DD33} . |
| SDA | 27 | In/Out | PMBus Bidirectional Serial Data Pin |
| SCL | 28 | In | PMBus Serial Clock Input Pin (400kHz Maximum) |
| ALERTB | 29 | Out | Open-Drain Output. Generates an Interrupt Request in a Fault/Warning Situation |
| CONTROL0 | 30 | In | Control Pin 0 Input |
| CONTROL1 | 31 | In | Control Pin 1 Input |
| ASEL0 | 32 | In | Ternary Address Select Pin 0 Input. Connect to V _{DD33} , GND or Float to Encode 1 of 3 Logic States. |
| ASEL1 | 33 | In | Ternary Address Select Pin 1 Input. Connect to V _{DD33} , GND or Float to Encode 1 of 3 Logic States. |
| REFP | 34 | Out | Reference Voltage Output. Needs 0.1 μ F Decoupling Capacitor to REFM. |
| REFM | 35 | Out | Reference Return Pin. Needs 0.1 μ F Decoupling Capacitor to REFP. |
| V _{SENSE} P0 | 36* | In | DC/DC Converter Differential (+) Output Voltage-0 Sensing Pin |
| V _{SENSE} M0 | 37* | In | DC/DC Converter Differential (-) Output Voltage-0 Sensing Pin |
| V _{DAC} M0 | 38* | Out | DAC0 Return. Connect to Channel 0 DC/DC Converter's GND Sense or Return to GND |
| V _{DAC} P0 | 39 | Out | DAC0 Output |
| V _{DAC} P1 | 40 | Out | DAC1 Output |

PIN FUNCTIONS

| PIN NAME | PIN NUMBER | PIN TYPE | DESCRIPTION |
|----------------------|------------|----------|---|
| V _{DACM1} | 41* | Out | DAC1 Return. Connect to Channel 1 DC/DC Converter's GND Sense or Return to GND. |
| V _{SENSEP1} | 42* | In | DC/DC Converter Differential (+) Output Voltage or Current-1 Sensing Pins |
| V _{SENSEM1} | 43* | In | DC/DC Converter Differential (-) Output Voltage or Current-1 Sensing Pins |
| V _{DACP2} | 44 | Out | DAC2 Output |
| V _{DACM2} | 45* | Out | DAC2 Return. Connect to Channel 2 DC/DC Converter's GND Sense or Return to GND. |
| V _{SENSEP2} | 46* | In | DC/DC Converter Differential (+) Output Voltage-2 Sensing Pin |
| V _{SENSEM2} | 47* | In | DC/DC Converter Differential (-) Output Voltage-2 Sensing Pin |
| V _{SENSEP3} | 48* | In | DC/DC Converter Differential (+) Output Voltage or Current-3 Sensing Pins |
| V _{SENSEM3} | 49* | In | DC/DC Converter Differential (-) Output Voltage or Current-3 Sensing Pins |
| V _{DACP3} | 50 | Out | DAC3 Output |
| V _{DACM3} | 51* | Out | DAC3 Return. Connect to Channel 3 DC/DC Converter's GND Sense or Return to GND. |
| V _{SENSEP4} | 52* | In | DC/DC Converter Differential (+) Output Voltage-4 Sensing Pin |
| V _{SENSEM4} | 53* | In | DC/DC Converter Differential (-) Output Voltage-4 Sensing Pin |
| V _{DACM4} | 54* | Out | DAC4 Return. Connect to Channel 4 DC/DC Converter's GND Sense or Return to GND. |
| V _{DACP4} | 55 | Out | DAC4 Output |
| V _{DACP5} | 56 | Out | DAC5 Output |
| V _{DACM5} | 57* | Out | DAC5 Return. Connect to Channel 5 DC/DC Converter's GND Sense or Return to GND. |
| V _{DACM6} | 58* | Out | DAC6 Return. Connect to Channel 6 DC/DC Converter's GND Sense or Return to GND. |
| V _{DACP6} | 59 | Out | DAC6 Output |
| V _{DACP7} | 60 | Out | DAC7 Output |
| V _{DACM7} | 61* | Out | DAC7 Return. Connect to Channel 7 DC/DC Converter's GND Sense or Return to GND. |
| V _{SENSEP5} | 62* | In | DC/DC Converter Differential (+) Output Voltage or Current-5 Sensing Pins |
| V _{SENSEM5} | 63* | In | DC/DC Converter Differential (-) Output Voltage or Current-5 Sensing Pins |
| V _{SENSEP6} | 64* | In | DC/DC Converter Differential (+) Output Voltage-6 Sensing Pin |
| GND | 65 | Ground | Exposed Pad, Must be Soldered to PCB |

*Any unused V_{SENSEP_n} or V_{SENSEM_n} or V_{DACM_n} pins must be tied to GND.

BLOCK DIAGRAM



2978 BD

OPERATION

OPERATION OVERVIEW

The LTC2978 is a PMBus programmable power supply controller, monitor, sequencer and voltage supervisor that can perform the following operations:

- Accept PMBus compatible programming commands.
- Provide DC/DC converter input voltage and output voltage/current read back through the PMBus interface.
- Control the output of DC/DC converters that set the output voltage with a trim pin or DC/DC converters that set the output voltage using an external resistor feedback network.
- Sequence the start-up of DC/DC converters via PMBus programming and the CONTROL input pins.
- Trim the DC/DC converter output voltage (typically in 0.02% steps), in closed-loop servo operating mode, through PMBus programming.
- Margin the DC/DC converter output voltage to PMBus programmed limits.
- Allow the user to trim or margin the DC/DC converter output voltage in a manual operating mode by providing direct access to the margin DAC.
- Supervise the DC/DC converter output voltage, input voltage, and the LTC2978 die temperature for over-value/undervalue conditions with respect to PMBus programmed limits and generate appropriate faults and warnings.
- Respond to a fault condition by either continuing operation indefinitely, latching off after a programmable deglitch period or latching off immediately. A retry mode may be used to automatically recover from a latched-off condition.
- Optionally stop trimming the DC/DC converter output voltage after it reached the initial margin or nominal target. Optionally allow servo to resume if target drifts outside of V_{OUT} warning limits.
- Store command register contents with CRC to EEPROM through PMBus programming.
- Restore EEPROM contents through PMBus programming or when V_{DD33} is applied on power-up.
- Report the DC/DC converter output voltage status through the PMBus interface and the power good output.
- Generate interrupt requests by asserting the ALERTB pin in response to supported PMBus faults and warnings.
- Coordinate system wide fault responses for all DC/DC converters connected to the FAULTBz0 and FAULTBz1 pins.
- Synchronize sequencing delays or shutdown for multiple devices using the SHARE_CLK pin.
- Software and hardware write protect the command registers.
- Disable the input voltage to the supervised DC/DC converters in response to output voltage OV and UV faults.
- Log telemetry and status data to EEPROM in response to a faulted-off condition
- Supervise an external microcontroller's activity for a stalled condition with a programmable watchdog timer and reset it if necessary.
- Prevent a DC/DC converter from re-entering the ON state after a power cycle until a programmable interval (MFR_RESTART_DELAY) has elapsed and its output has decayed below a programmable threshold voltage (MFR_VOUT_DISCHARGE_THRESHOLD).
- Record minimum and maximum observed values of input voltage, output voltages and temperature.

EEPROM

The LTC2978 contains internal EEPROM (nonvolatile memory) to store configuration settings and fault log information. EEPROM endurance, retention, and mass write operation time are specified over the operating temperature range. See Electrical Characteristics and Absolute Maximum Ratings sections.

OPERATION

Nondestructive operation above $T_J = 85^\circ\text{C}$ is possible although the Electrical Characteristics are not guaranteed and the EEPROM will be degraded.

Operating the EEPROM above 85°C may result in a degradation of retention characteristics. The fault logging function, which is useful in debugging system problems that may occur at high temperatures, only writes to fault log EEPROM locations. If occasional writes to these registers occur above 85°C , a slight degradation in the data retention characteristics of the fault log may occur.

It is recommended that the EEPROM not be written using STORE_USER_ALL or bulk programming when $T_J > 85^\circ\text{C}$.

The degradation in EEPROM retention for temperatures $>85^\circ\text{C}$ can be approximated by calculating the dimensionless acceleration factor using the following equation.

$$AF = e^{\left[\left(\frac{E_a}{k} \right) \cdot \left(\frac{1}{T_{\text{USE}} + 273} - \frac{1}{T_{\text{STRESS}} + 273} \right) \right]}$$

Where:

AF = acceleration factor

E_a = activation energy = 1.4 eV

$k = 8.625 \times 10^{-5}$ eV/°K

$T_{\text{USE}} = 85^\circ\text{C}$ specified junction temperature

T_{STRESS} = actual junction temperature °C

Example: Calculate the effect on retention when operating at a junction temperature of 95°C for 10 hours.

$T_{\text{STRESS}} = 95^\circ\text{C}$

$T_{\text{USE}} = 85^\circ\text{C}$

AF = 3.4

Equivalent operating time at $85^\circ\text{C} = 34$ hours.

So the overall retention of the EEPROM was degraded by 34 hours as a result of operation at a junction temperature of 95°C for 10 hours. Note that the effect of this overstress is negligible when compared to the overall EEPROM retention rating of 87,600 hours at a maximum junction temperature of 85°C .

RESET

Holding the WDI/RESETB pin low for more than t_{RESETB} will cause the LTC2978 to enter the power-on reset state. While in the power-on reset state, the device will not communicate on the I²C bus. Following the subsequent rising-edge of the WDI/RESETB pin, the LTC2978 will execute its power-on sequence per the user configuration stored in EEPROM. Connect WDI/RESETB to VDD33 with a 10k resistor. WDI/RESETB includes an internal 256μs deglitch filter so additional filter capacitance on this pin is not recommended.

WRITE-PROTECT PIN

The WP pin allows the user to write-protect the LTC2978's configuration registers. The WP pin is active high, and when asserted it provides Level 2 protection: all writes are disabled except to the WRITE_PROTECT, PAGE, STORE_USER_ALL, OPERATION, MFR_PAGE_FF_MASK and CLEAR_FAULTS commands. The most restrictive setting between the WP pin and WRITE_PROTECT command will override. For example if WP = 1 and WRITE_PROTECT = 0x80, then the WRITE_PROTECT command overrides, since it is the most restrictive.

OTHER OPERATIONS

Clock Sharing

Multiple LTC PMBus devices can synchronize their clocks in an application by connecting together the open-drain SHARE_CLK input/outputs to a pull-up resistor as a wired OR. In this case the fastest clock will take over and synchronize all LTC2978s.

SHARE_CLK can optionally be used to synchronize ON/OFF dependency on V_{IN} across multiple chips by setting the Mfr_config_all_vin_share_enable bit of the MFR_CONFIG_ALL_LTC2978 register. When configured this way the chip will hold SHARE_CLK low when the unit is off for insufficient input voltage and upon detecting that SHARE_CLK is held low the chip will disable all channels after a brief deglitch period. When the SHARE_CLK pin

OPERATION

is allowed to rise, the chip will respond by beginning a soft-start sequence. In this case the slowest VIN_ON detection will take over and synchronize other chips to its soft-start sequence.

PMBus SERIAL DIGITAL INTERFACE

The LTC2978 communicates with a host (master) using the standard PMBus serial bus interface. The PMBus Timing Diagram shows the timing relationship of the signals on the bus. The two bus lines, SDA and SCL, must be high when the bus is not in use. External pull-up resistors or current sources are required on these lines.

The LTC2978 is a slave device. The master can communicate with the LTC2978 using the following formats:

- Master transmitter, slave receiver
- Master receiver, slave transmitter

The following SMBus protocols are supported:

- Write Byte, Write Word, Send Byte
- Read Byte, Read Word, Block Read
- Alert Response Address

Figures 1-12 illustrate the aforementioned SMBus protocols. All transactions support PEC (parity error check) and GCP (group command protocol). The Block Read supports 255 bytes of returned data. For this reason, the PMBus timeout may be extended using the Mfr_config_all_longer_pmbus_timeout setting.

The LTC2978 will not acknowledge any PMBus command if it is still busy with a STORE_USER_ALL, RESTORE_USER_ALL, MFR_CONFIG_LTC2978 or if fault log data is being written to the EEPROM. Status_word_busy will also be set, but ALERTB will not be asserted low.

PMBus

PMBus is an industry standard that defines a means of communication with power conversion devices. It is comprised of an industry standard SMBus serial interface and the PMBus command language.

The PMBus two wire interface is an incremental extension of the SMBus. SMBus is built upon I²C with some minor differences in timing, DC parameters and protocol. The SMBus protocols are more robust than simple I²C byte commands because they provide timeouts to prevent bus hangs and optional packet error checking (PEC) to ensure data integrity. In general, a master device that can be configured for I²C communication can be used for PMBus communication with little or no change to hardware or firmware.

For a description of the minor extensions and exceptions PMBus makes to SMBus, refer to PMBus Specification Part 1 Revision 1.1: paragraph 5: Transport. This can be found at:

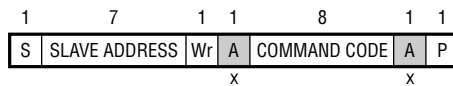
www.pmbus.org.

For a description of the differences between SMBus and I²C, refer to system management bus (SMBus) specification version 2.0: Appendix B – Differences Between SMBus and I²C. This can be found at:

www.smbus.org.

When using an I²C controller to communicate with a PMBus part it is important that the controller be able to write a byte of data without generating a stop. This will allow the controller to properly form the repeated start of the PMBus read command by concatenating a start command byte write with an I²C read.

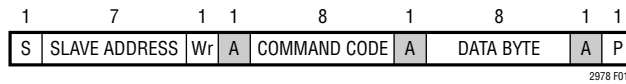
OPERATION



- S START CONDITION
- Sr REPEATED START CONDITION
- Rd READ (BIT VALUE OF 1)
- Wr WRITE (BIT VALUE OF 0)
- x SHOWN UNDER A FIELD INDICATES THAT THE FIELD IS REQUIRED TO HAVE THE VALUE OF x
- A ACKNOWLEDGE (THIS BIT POSITION MAY BE 0 FOR AN ACK OR 1 FOR A NACK)
- P STOP CONDITION
- PEC PACKET ERROR CODE
- MASTER TO SLAVE
- SLAVE TO MASTER
- ... CONTINUATION OF PROTOCOL

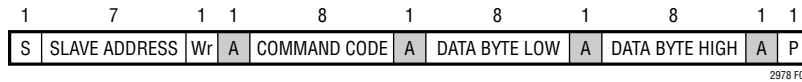
2978 F01a

Figure 1a. PMBus Packet Protocol Diagram Element Key



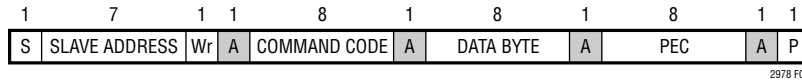
2978 F01b

Figure 1b. Write Byte Protocol



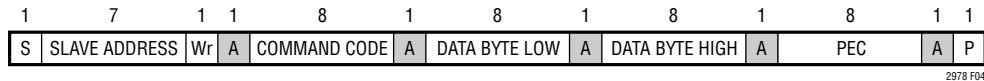
2978 F02

Figure 2. Write Word Protocol



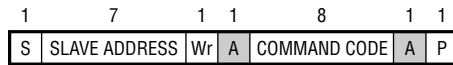
2978 F03

Figure 3. Write Byte Protocol with PEC



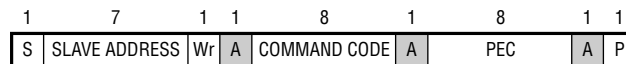
2978 F04

Figure 4. Write Word Protocol with PEC



2978 F05

Figure 5. Send Byte Protocol



2978 F06

Figure 6. Send Byte Protocol with PEC

OPERATION

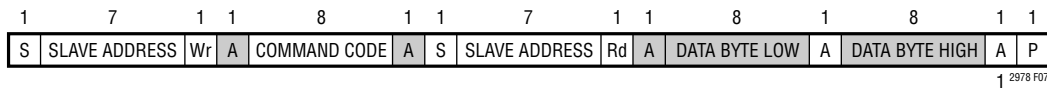


Figure 7. Read Word Protocol

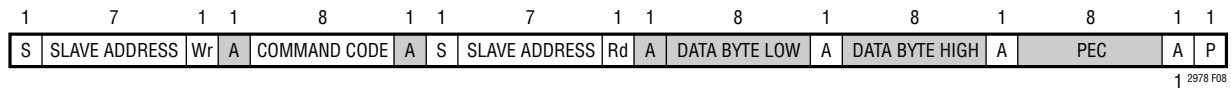


Figure 8. Read Word Protocol with PEC

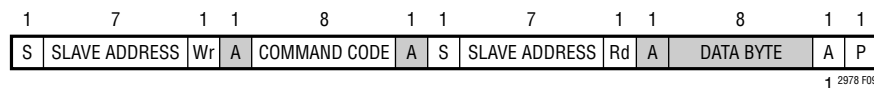


Figure 9. Read Byte Protocol

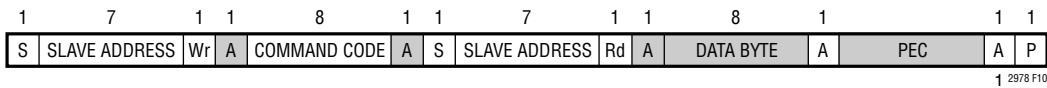


Figure 10. Read Byte Protocol with PEC

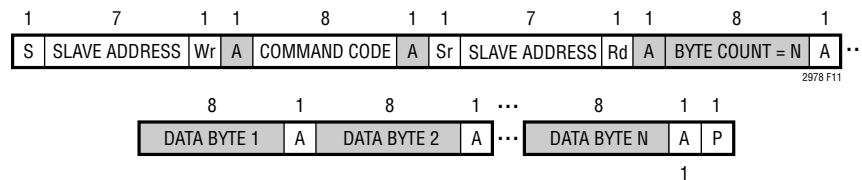


Figure 11. Block Read

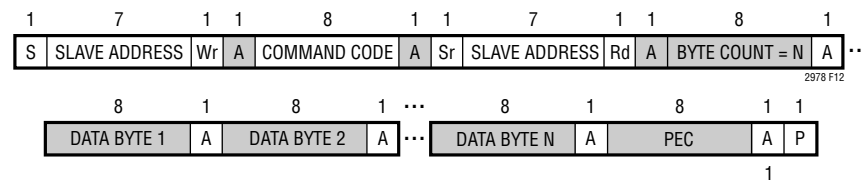


Figure 12. Block Read with PEC

OPERATION

Device Address

The I²C/SMBus address of the LTC2978 equals the base address + N where N is a number from 0 to 8. N can be configured by setting the ASEL0 and ASEL1 pins to V_{DD33}, GND or FLOAT. See Table 1. Using one base address and the nine values of N, nine LTC2978s can be connected together to control 72 outputs. The base address is stored in the MFR_I2C_BASE_ADDRESS register. The base address can be written to any value, but generally should not

be changed unless the desired range of addresses overlap existing addresses. Watch that the address range does not overlap with other I²C/SMBus device or global addresses, including I²C/SMBus multiplexers and bus buffers. This will bring you great happiness.

The LTC2978 always responds to its global address and the SMBus Alert Response address regardless of the state of its ASEL pins and the MFR_I2C_BASE_ADDRESS register.

Table 1. LTC2978 Device Address Look-Up Table

| ADDRESS DESCRIPTION | HEX DEVICE ADDRESS | | BINARY DEVICE ADDRESS BITS | | | | | | | | ADDRESS PINS | |
|---------------------|--------------------|-------|----------------------------|---|---|---|---|---|---|-----|--------------|-------|
| | 7-Bit | 8-Bit | 6 | 5 | 4 | 3 | 2 | 1 | 0 | R/W | ASEL1 | ASEL0 |
| Alert Response | 0C | 19 | 0 | 0 | 0 | 1 | 1 | 0 | 0 | 1 | X | X |
| Global | 5B | B6 | 1 | 0 | 1 | 1 | 0 | 1 | 1 | 0 | X | X |
| N = 0 | 5C* | B8 | 1 | 0 | 1 | 1 | 1 | 0 | 0 | 0 | L | L |
| N = 1 | 5D | BA | 1 | 0 | 1 | 1 | 1 | 0 | 1 | 0 | L | NC |
| N = 2 | 5E | BC | 1 | 0 | 1 | 1 | 1 | 1 | 0 | 0 | L | H |
| N = 3 | 5F | BE | 1 | 0 | 1 | 1 | 1 | 1 | 1 | 0 | NC | L |
| N = 4 | 60 | C0 | 1 | 1 | 0 | 0 | 0 | 0 | 0 | 0 | NC | NC |
| N = 5 | 61 | C2 | 1 | 1 | 0 | 0 | 0 | 0 | 1 | 0 | NC | H |
| N = 6 | 62 | C4 | 1 | 1 | 0 | 0 | 0 | 1 | 0 | 0 | H | L |
| N = 7 | 63 | C6 | 1 | 1 | 0 | 0 | 0 | 1 | 1 | 0 | H | NC |
| N = 8 | 64 | C8 | 1 | 1 | 0 | 0 | 1 | 0 | 0 | 0 | H | H |

H = Tie to V_{DD33}, NC = No Connect = Open or Float, L = Tie to GND, X = Don't Care

*MFR_I2C_BASE_ADDRESS = 7bit 5C (Factory Default)

OPERATION

Processing Commands

The LTC2978 uses a dedicated processing block to ensure quick response to all of its commands. There are a few exceptions where the part will NACK a subsequent command because it is still processing the previous command. These are summarized in the following tables.

EEPROM Related Commands

| COMMAND | TYPICAL DELAY* | COMMENT |
|-----------------------|--------------------------|---|
| STORE_USER_ALL | $t_{\text{MASS_WRITE}}$ | See Electrical Characteristics table. The LTC2978 will not accept any commands while it is transferring register contents to the EEPROM. The command byte will be NACKed. |
| RESTORE_USER_ALL | 30ms | The LTC2978 will not accept any commands while it is transferring EEPROM data to command registers. The command byte will be NACKed. |
| MFR_FAULT_LOG_CLEAR | 175ms | The LTC2978 will not accept any commands while it is initializing the fault log EEPROM space. The command byte will be NACKed. |
| MFR_FAULT_LOG_STORE | 20ms | The LTC2978 will not accept any commands while it is transferring the fault log RAM buffer to EEPROM space. The command byte will be NACKed. |
| Internal Fault log | 10ms | An internal fault log event is a one time event that uploads the contents of the fault log to EEPROM in response to a fault. Internal fault logging may be disabled. Commands received during this EEPROM write are NACKed. |
| MFR_FAULT_LOG_RESTORE | 2ms | The LTC2978 will not accept any commands while it is transferring EEPROM data to the fault log RAM buffer. The command byte will be NACKed. |

*The typical delay is measured from the command's stop to the next command's start.

| COMMAND | TYPICAL DELAY* | COMMENT |
|--------------------|----------------|--|
| MFR_CONFIG_LTC2978 | <50 μ s | The LTC2978 will not accept any commands while it is completing this command. The command byte will be NACKed. |

*The delay is measured from the command's stop to the next command's start.

Other PMBus Timing Notes

| COMMAND | COMMENT |
|--------------|---|
| CLEAR_FAULTS | The LTC2978 will accept commands while it is completing this command but the affected status flags will not be cleared for up to 500 μ s. |

PMBus COMMAND SUMMARY

Summary Table

| COMMAND NAME | CMD CODE | DESCRIPTION | TYPE | PAGED | DATA FORMAT | UNITS | EEPROM | DEFAULT VALUE FLOAT HEX | REF PAGE |
|------------------------|----------|--|-----------|-------|-------------|-------|--------|-------------------------------|----------|
| PAGE | 0x00 | Channel or page currently selected for any command that supports paging. | R/W Byte | N | Reg | | | 0x00 | 29 |
| OPERATION | 0x01 | Operating mode control. On/Off, Margin High and Margin Low. | R/W Byte | Y | Reg | | Y | 0x00 | 30 |
| ON_OFF_CONFIG | 0x02 | CONTROL pin & PMBus bus on/off command setting. | R/W Byte | Y | Reg | | Y | 0x12 | 31 |
| CLEAR_FAULTS | 0x03 | Clear any fault bits that have been set. | Send Byte | Y | | | | NA | 31 |
| WRITE_PROTECT | 0x10 | Level of protection provided by the device against accidental changes. | R/W Byte | N | Reg | | Y | 0x00 | 32 |
| STORE_USER_ALL | 0x15 | Store entire operating memory to EEPROM. | Send Byte | N | | | | NA | 32 |
| RESTORE_USER_ALL | 0x16 | Restore entire operating memory from EEPROM. | Send Byte | N | | | | NA | 32 |
| CAPABILITY | 0x19 | Summary of PMBus optional communication protocols supported by this device. | R Byte | N | Reg | | | 0xE0 | 32 |
| VOUT_MODE | 0x20 | Output voltage data format and mantissa exponent. (2^{-13}) | R Byte | Y | Reg | | | 0x13 | 33 |
| VOUT_COMMAND | 0x21 | Servo Target. Nominal DC/DC converter output voltage setpoint. | R/W Word | Y | L16 | V | Y | 1.0 0x2000 | 33 |
| VOUT_MAX | 0x24 | Upper limit on the output voltage the unit can command regardless of any other commands. | R/W Word | Y | L16 | V | Y | 4.0 0x8000 | 33 |
| VOUT_MARGIN_HIGH | 0x25 | Margin high DC/DC converter output voltage setting. | R/W Word | Y | L16 | V | Y | 1.05 0x219A | 33 |
| VOUT_MARGIN_LOW | 0x26 | Margin low DC/DC converter output voltage setting. | R/W Word | Y | L16 | V | Y | 0.95 0x1E66 | 33 |
| VIN_ON | 0x35 | Input voltage (V_{IN_SNS}) above which power conversion can be enabled. | R/W Word | N | L11 | V | Y | 10.0 0xD280 | 33 |
| VIN_OFF | 0x36 | Input voltage (V_{IN_SNS}) below which power conversion is disabled. All V_{OUT_EN} pins go off immediately. | R/W Word | N | L11 | V | Y | 9.0 0xD240 | 33 |
| VOUT_OV_FAULT_LIMIT | 0x40 | Output overvoltage fault limit. | R/W Word | Y | L16 | V | Y | 1.1 0x2333 | 33 |
| VOUT_OV_FAULT_RESPONSE | 0x41 | Action to be taken by the device when an output overvoltage fault is detected. | R/W Byte | Y | Reg | | Y | 0x80 | 35 |
| VOUT_OV_WARN_LIMIT | 0x42 | Output overvoltage warning limit. | R/W Word | Y | L16 | V | Y | 1.075 0x2266 | 33 |
| VOUT_UV_WARN_LIMIT | 0x43 | Output undervoltage warning limit. | R/W Word | Y | L16 | V | Y | 0.925 0x1D9A | 33 |
| VOUT_UV_FAULT_LIMIT | 0x44 | Output undervoltage fault limit. Limit used to determine if TON_MAX_FAULT has been met and the unit is on. | R/W Word | Y | L16 | V | Y | 0.9 0x1CCD | 33 |
| VOUT_UV_FAULT_RESPONSE | 0x45 | Action to be taken by the device when an output undervoltage fault is detected. | R/W Byte | Y | Reg | | Y | 0x7F | 35 |
| OT_FAULT_LIMIT | 0x4F | Overtemperature fault limit. | R/W Word | N | L11 | °C | Y | 85.0 0xEAA8 | 34 |

2978fd

PMBus COMMAND SUMMARY

Summary Table

| COMMAND NAME | CMD CODE | DESCRIPTION | TYPE | PAGED | DATA FORMAT | UNITS | EEPROM | DEFAULT VALUE FLOAT HEX | REF PAGE |
|------------------------|----------|--|----------|-------|-------------|-------|--------|-------------------------------|----------|
| OT_FAULT_RESPONSE | 0x50 | Action to be taken by the device when an overtemperature fault is detected. | R/W Byte | N | Reg | | Y | 0xB8 | 36 |
| OT_WARN_LIMIT | 0x51 | Overtemperature warning limit. | R/W Word | N | L11 | °C | Y | 75.0 0xEA58 | 34 |
| UT_WARN_LIMIT | 0x52 | Undertemperature warning limit. | R/W Word | N | L11 | °C | Y | 0 0x8000 | 34 |
| UT_FAULT_LIMIT | 0x53 | Undertemperature fault limit. | R/W Word | N | L11 | °C | Y | -5.0 0xCD80 | 34 |
| UT_FAULT_RESPONSE | 0x54 | Action to be taken by the device when an undertemperature fault is detected. | R/W Byte | N | Reg | | Y | 0xB8 | 36 |
| VIN_OV_FAULT_LIMIT | 0x55 | Input overvoltage fault limit measured at V_{IN_SNS} pin. | R/W Word | N | L11 | V | Y | 15.0 0xD3C0 | 33 |
| VIN_OV_FAULT_RESPONSE | 0x56 | Action to be taken by the device when an input overvoltage fault is detected. | R/W Byte | N | Reg | | Y | 0x80 | 36 |
| VIN_OV_WARN_LIMIT | 0x57 | Input overvoltage warning limit measured at V_{IN_SNS} pin. | R/W Word | N | L11 | V | Y | 14.0 0xD380 | 33 |
| VIN_UV_WARN_LIMIT | 0x58 | Input undervoltage warning limit measured at V_{IN_SNS} pin. | R/W Word | N | L11 | V | Y | 0 0x8000 | 33 |
| VIN_UV_FAULT_LIMIT | 0x59 | Input undervoltage fault limit measured at V_{IN_SNS} pin. | R/W Word | N | L11 | V | Y | 0 0x8000 | 33 |
| VIN_UV_FAULT_RESPONSE | 0x5A | Action to be taken by the device when an input undervoltage fault is detected. | R/W Byte | N | Reg | | Y | 0x00 | 36 |
| POWER_GOOD_ON | 0x5E | Output voltage at or above which a power good should be asserted. | R/W Word | Y | L16 | V | Y | 0.96 0x1EB8 | 33 |
| POWER_GOOD_OFF | 0x5F | Output voltage at or below which a power good should be deasserted. | R/W Word | Y | L16 | V | Y | 0.94 0x1E14 | 33 |
| TON_DELAY | 0x60 | Time from CONTROL pin and/or OPERATION command = ON to V_{OUT_EN} pin = ON. | R/W Word | Y | L11 | ms | Y | 1.0 0xBA00 | 34 |
| TON_RISE | 0x61 | Time from when the V_{OUT_EN} pin goes high until the LTC2978 optionally soft-connects its DAC and begins to servo the output voltage to the desired value. | R/W Word | Y | L11 | ms | Y | 10.0 0xD280 | 34 |
| TON_MAX_FAULT_LIMIT | 0x62 | Maximum time from V_{OUT_EN} = ON assertion that an UV condition will be tolerated before a TON_MAX_FAULT condition results. | R/W Word | Y | L11 | ms | Y | 15.0 0xD3C0 | 34 |
| TON_MAX_FAULT_RESPONSE | 0x63 | Action to be taken by the device when a TON_MAX_FAULT event is detected. | R/W Byte | Y | Reg | | Y | 0xB8 | 36 |
| TOFF_DELAY | 0x64 | Time from CONTROL pin and/or OPERATION command = OFF to V_{OUT_EN} pin = OFF. | R/W Word | Y | L11 | ms | Y | 1.0 0xBA00 | 34 |
| STATUS_BYTE | 0x78 | One byte summary of the unit's fault condition. | R Byte | Y | Reg | | | NA | 37 |
| STATUS_WORD | 0x79 | Two byte summary of the unit's fault condition. | R Word | Y | Reg | | | NA | 38 |
| STATUS_VOUT | 0x7A | Output voltage fault and warning status. | R Byte | Y | Reg | | | NA | 38 |

PMBus COMMAND SUMMARY

Summary Table

| COMMAND NAME | CMD CODE | DESCRIPTION | TYPE | PAGED | DATA FORMAT | UNITS | EEPROM | DEFAULT VALUE FLOAT HEX | REF PAGE |
|-----------------------------|----------|---|----------|-------|-------------|-------|--------|-------------------------------|----------|
| STATUS_INPUT | 0x7C | Input voltage fault and warning status measured at VIN_SNS pin. | R Byte | N | Reg | | | NA | 39 |
| STATUS_TEMPERATURE | 0x7D | Temperature fault and warning status for READ_TEMPERATURE_1. | R Byte | N | Reg | | | NA | 39 |
| STATUS_CML | 0x7E | Communication and memory fault and warning status. | R Byte | N | Reg | | | NA | 40 |
| STATUS_MFR_SPECIFIC | 0x80 | Manufacturer specific fault and state information. | R Byte | Y | Reg | | | NA | 40 |
| READ_VIN | 0x88 | Input voltage measured at VIN_SNS pin. | R Word | N | L11 | V | | NA | 41 |
| READ_VOUT | 0x8B | DC/DC converter output voltage. | R Word | Y | L16 | V | | NA | 41 |
| READ_TEMPERATURE_1 | 0x8D | Internal junction temperature. | R Word | N | L11 | °C | | NA | 41 |
| PMBUS_REVISION | 0x98 | PMBus revision supported by this device. Current revision is 1.1. | R Byte | N | Reg | | | 0x11 | 41 |
| MFR_CONFIG_LTC2978 | 0xD0 | Configuration bits that are channel specific. | R/W Word | Y | Reg | | Y | 0x0080 | 42 |
| MFR_CONFIG_ALL_LTC2978 | 0xD1 | Configuration bits that are common to all pages. | R/W Byte | N | Reg | | Y | 0x7B | 43 |
| MFR_FAULTBz0_PROPAGATE | 0xD2 | Configuration that determines if a channel's faulted off state is propagated to the FAULTB00 and FAULTB10 pins. | R/W Byte | Y | Reg | | Y | 0x00 | 44 |
| MFR_FAULTBz1_PROPAGATE | 0xD3 | Manufacturer configuration that Configuration that determines if a channel's faulted off state is propagated to the FAULTB01 and FAULTB11 pins. | R/W Byte | Y | Reg | | Y | 0x00 | 44 |
| MFR_PWRGD_EN | 0xD4 | Configuration for mapping PWRGD and WDI/RESETB status to the PWRGD pin. | R/W Word | N | Reg | | Y | 0x0000 | 45 |
| MFR_FAULTB00_RESPONSE | 0xD5 | Action to be taken by the device when the FAULTB00 pin is asserted low. | R/W Byte | N | Reg | | Y | 0x00 | 46 |
| MFR_FAULTB01_RESPONSE | 0xD6 | Action to be taken by the device when the FAULTB01 pin is asserted low. | R/W Byte | N | Reg | | Y | 0x00 | 46 |
| MFR_FAULTB10_RESPONSE | 0xD7 | Action to be taken by the device when the FAULTB10 pin is asserted low. | R/W Byte | N | Reg | | Y | 0x00 | 46 |
| MFR_FAULTB11_RESPONSE | 0xD8 | Action to be taken by the device when the FAULTB11 pin is asserted low. | R/W Byte | N | Reg | | Y | 0x00 | 46 |
| MFR_VINEN_OV_FAULT_RESPONSE | 0xD9 | Action to be taken by the VIN_EN pin in response to a VOUT_OV_FAULT | R/W Byte | N | Reg | | Y | 0x00 | 47 |
| MFR_VINEN_UV_FAULT_RESPONSE | 0xDA | Action to be taken by the VIN_EN pin in response to a VOUT_UV_FAULT | R/W Byte | N | Reg | | Y | 0x00 | 48 |
| MFR_RETRY_DELAY | 0xDB | Retry interval during FAULT retry mode. | R/W Word | N | L11 | ms | Y | 200.0 0xF320 | 48 |
| MFR_RESTART_DELAY | 0xDC | Delay from actual CONTROL active edge to virtual CONTROL active edge. | R/W Word | N | L11 | ms | Y | 400.0 0xFB20 | 49 |
| MFR_VOUT_PEAK | 0xDD | Maximum measured value of READ_VOUT. | R Word | Y | L16 | V | | NA | 49 |
| MFR_VIN_PEAK | 0xDE | Maximum measured value of READ_VIN. | R Word | N | L11 | V | | NA | 49 |
| MFR_TEMPERATURE_PEAK | 0xDF | Maximum measured value of READ_TEMPERATURE_1. | R Word | N | L11 | °C | | NA | 49 |

2978fd

PMBus COMMAND SUMMARY

Summary Table

| COMMAND NAME | CMD CODE | DESCRIPTION | TYPE | PAGED | DATA FORMAT | UNITS | EEPROM | DEFAULT VALUE FLOAT HEX | REF PAGE |
|-------------------------------|----------|---|-----------|-------|-------------|-------|--------|-------------------------------|----------|
| MFR_DAC | 0xE0 | Manufacturer register that contains the code of the 10-bit DAC. | R/W Word | Y | Reg | | | 0x0000 | 50 |
| MFR_POWERGOOD_ASSERTION_DELAY | 0xE1 | Power good output assertion delay. | R/W Word | N | L11 | ms | Y | 100.0 0xEB20 | 50 |
| MFR_WATCHDOG_T_FIRST | 0xE2 | First watchdog timer interval. | R/W Word | N | L11 | ms | Y | 0 0x8000 | 50 |
| MFR_WATCHDOG_T | 0xE3 | Watchdog timer interval. | R/W Word | N | L11 | ms | Y | 0 0x8000 | 50 |
| MFR_PAGE_FF_MASK | 0xE4 | Configuration defining which channels respond to global page commands (PAGE=0xFF). | R/W Byte | N | Reg | | Y | 0xFF | 51 |
| MFR_PADS | 0xE5 | Current state of selected digital I/O pads. | R Word | N | Reg | | | N/A | 52 |
| MFR_I2C_BASE_ADDRESS | 0xE6 | Base value of the I ² C/SMBus address byte. | R/W Byte | N | Reg | | Y | 0x5C | 52 |
| MFR_SPECIAL_ID | 0xE7 | Manufacturer code for identifying the LTC2978 | R Word | N | Reg | | Y | 0x0122 | 52 |
| MFR_SPECIAL_LOT | 0xE8 | Customer dependent codes that identify the factory programmed user configuration stored in EEPROM. Contact factory for default value. | R Byte | Y | Reg | | Y | | 53 |
| MFR_VOUT_DISCHARGE_THRESHOLD | 0xE9 | Coefficient used to multiply VOUT_COMMAND in order to determine V _{OUT} off threshold voltage. | R/W Word | Y | L11 | | Y | 2.0 0xC200 | 53 |
| MFR_FAULT_LOG_STORE | 0xEA | Command a transfer of the fault log from RAM to EEPROM. This causes the part to behave as if a channel has faulted off. | Send Byte | N | | | | NA | 55 |
| MFR_FAULT_LOG_RESTORE | 0xEB | Command a transfer of the fault log previously stored in EEPROM back to RAM. | Send Byte | N | | | | NA | 55 |
| MFR_FAULT_LOG_CLEAR | 0xEC | Initialize the EEPROM block reserved for fault logging and clear any previous fault logging locks. | Send Byte | N | | | | NA | 55 |
| MFR_FAULT_LOG_STATUS | 0xED | Fault logging status. | R Byte | N | Reg | | Y | NA | 55 |
| MFR_FAULT_LOG | 0xEE | Fault log data bytes. This sequentially retrieved data is used to assemble a complete fault log. 256 Bytes: 0xFF followed by 255 bytes of fault log data. | R Block | N | Reg | | Y | NA | 56 |
| MFR_COMMON | 0xEF | Manufacturer status bits that are common across multiple LTC chips. | R Byte | N | Reg | | | NA | 53 |
| MFR_SPARE_0 | 0xF7 | Scratchpad register | R/W Word | N | Reg | | Y | 0x0000 | 53 |
| MFR_SPARE_2 | 0xF9 | Paged scratchpad register | R/W Word | Y | Reg | | Y | 0x0000 | 53 |
| MFR_VOUT_MIN | 0xFB | Minimum measured value of READ_VOUT. | R Word | Y | L16 | V | | NA | 54 |
| MFR_VIN_MIN | 0xFC | Minimum measured value of READ_VIN. | R Word | N | L11 | V | | NA | 54 |
| MFR_TEMPERATURE_MIN | 0xFD | Minimum measured value of READ_TEMPERATURE_1. | R Word | N | L11 | °C | | NA | 54 |

PMBus COMMAND SUMMARY

Data Formats

| | | |
|-----|---------------|---|
| L11 | Linear_5s_11s | <p>PMBus data field b[15:0] Value = $Y \cdot 2^N$ where $N = b[15:11]$ is a 5-bit two's complement integer and $Y = b[10:0]$ is an 11-bit two's complement integer Example: READ_VIN = 10V For b[15:0] = 0xD280 = 1101_0010_1000_0000b Value = $640 \cdot 2^{-6} = 10$ See PMBus Spec Part II: Paragraph 7.1</p> |
| L16 | Linear_16u | <p>PMBus data field b[15:0] Value = $Y \cdot 2^N$ where $Y = b[15:0]$ is an unsigned integer and $N = \text{Vout_mode_parameter}$ is a 5-bit two's complement exponent that is hardwired to -13 decimal. Example: VOUT_COMMAND = 4.75V For b[15:0] = 0x9800 = 1001_1000_0000_0000b Value = $38912 \cdot 2^{-13} = 4.75$ See PMBus Spec Part II: Paragraph 8.3.1</p> |
| Reg | Register | <p>PMBus data field b[15:0] or b[7:0]. Bit field meaning is defined in detailed PMBus Command Register Description.</p> |
| CF | Custom Format | <p>PMBus data field b[15:0] Value is defined in detailed PMBus Command Register Description. This is often an unsigned or two's complement integer scaled by an MFR specific constant.</p> |

PMBus COMMAND DESCRIPTION

OPERATION, MODE AND EEPROM COMMANDS

PAGE

The LTC2978 has eight pages that correspond to the eight DC/DC converter channels that can be managed. Each DC/DC converter channel can be uniquely programmed by first setting the appropriate page.

The PAGE command provides the ability to configure, control and monitor multiple outputs on one unit. Setting PAGE = 0xFF allows a simultaneous write to all pages for PMBus commands that support global page programming. The only commands that support PAGE = 0xFF are OPERATION and ON_OFF_CONFIG. See MFR_PAGE_FF_MASK for additional options. Reading any paged PMBus register with PAGE = 0xFF returns unpredictable data and will trigger a CML fault.

PAGE Data Contents

| BIT(S) | SYMBOL | PURPOSE |
|--------|--------|---|
| b[7:0] | Page | Page operation. 0x00: All PMBus commands address channel/page 0. 0x01: All PMBus commands address channel/page 1. • • • 0x07: All PMBus commands address channel/page 7. 0xFF: All nonspecified values reserved. 0xFF: A single PMBus write/send to commands that support this mode will simultaneously address all channels/pages with MFR_PAGE_FF_MASK enabled. |

PMBus COMMAND DESCRIPTION

OPERATION

The OPERATION command is used to turn the unit on and off in conjunction with the CONTROL n pin and ON_OFF_CONFIG. This command register responds to the global page command (PAGE=0xFF). The contents and functions of the data byte are shown in the following tables.

OPERATION Data Contents (On_off_config_use_pmbus=1)

| SYMBOL | Action | Operation_control[1:0] | Operation_margin[1:0] | Operation_fault[1:0] | Reserved (read only) |
|-------------|---|----------------------------|-----------------------|----------------------|----------------------|
| BITS | | b[7:6] | b[5:4] | b[3:2] | b[1:0] |
| FUNCTION | Turn off immediately | 00 | XX | XX | 00 |
| | Turn on | 10 | 00 | XX | 00 |
| | Margin Low (Ignore Faults and Warnings) | 10 | 01 | 01 | 00 |
| | Margin Low | 10 | 01 | 10 | 00 |
| | Margin High (Ignore Faults and Warnings) | 10 | 10 | 01 | 00 |
| | Margin High | 10 | 10 | 10 | 00 |
| | Sequence off and margin to nominal | 01 | 00 | XX | 00 |
| | Sequence off and Margin Low (Ignore Faults and Warnings) | 01 | 01 | 01 | 00 |
| | Sequence off and Margin Low | 01 | 01 | 10 | 00 |
| | Sequence off and Margin High (Ignore Faults and Warnings) | 01 | 10 | 01 | 00 |
| | Sequence off and Margin High | 01 | 10 | 10 | 00 |
| | Reserved | All remaining combinations | | | |

OPERATION Data Contents (On_off_config_use_pmbus=0)

| SYMBOL | Action | Operation_control[1:0] | Operation_margin[1:0] | Operation_fault[1:0] | Reserved (read only) |
|-------------|--|----------------------------|-----------------------|----------------------|----------------------|
| BITS | | b[7:6] | b[5:4] | b[3:2] | b[1:0] |
| FUNCTION | Output at Nominal | 00, 01 or 10 | 00 | XX | 00 |
| | Margin Low (Ignore faults and Warnings) | 00, 01 or 10 | 01 | 01 | 00 |
| | Margin Low | 00, 01 or 10 | 01 | 10 | 00 |
| | Margin High (Ignore Faults and Warnings) | 00, 01 or 10 | 10 | 01 | 00 |
| | Margin High | 00, 01 or 10 | 10 | 10 | 00 |
| | Reserved | All remaining combinations | | | |

PMBus COMMAND DESCRIPTION

ON_OFF_CONFIG

The ON_OFF_CONFIG command configures the combination of CONTROL n pin input and PMBus bus commands needed to turn the LTC2978 on/off, including the power-on behavior, as shown in the following table. This command register responds to the global page command (PAGE=0xFF). After the part has initialized, an additional comparator monitors VIN_SNS. The VIN_ON threshold must be exceeded before the output power sequencing can begin. After V_{IN} is initially applied, the part will typically require 135ms to initialize and begin the TON_DELAY timer. The readback of voltages and currents may require an additional 160ms.

ON_OFF_CONFIG Data Contents

| BITS(S) | SYMBOL | OPERATION |
|---------|--------------------------------|---|
| b[7:5] | Reserved | Don't care. Always returns 0. |
| b[4] | On_off_config_controlled_on | Controls default autonomous power-up operation. 0: Unit powers up regardless of the CONTROL n pin or OPERATION value. Unit always powers up with sequencing. To turn unit on without sequencing, set TON_DELAY = 0. 1: Unit does not power up unless commanded by the CONTROL n pin and/or the OPERATION command on the serial bus. If On_off_config[3:2] = 00, the unit never powers up. |
| b[3] | On_off_config_use_pmbus | Controls how the unit responds to commands received via the serial bus. 0: Unit ignores the Operation_control[1:0] bits. 1: Unit responds to Operation_control[1:0]. Depending on On_off_config_use_control, the unit may also require the CONTROL n pin to be asserted for the unit to start. |
| b[2] | On_off_config_use_control | Controls how unit responds to the CONTROL n pin. 0: Unit ignores the CONTROL n pin. 1: Unit requires the CONTROL n pin to be asserted to start the unit. Depending on On_off_config_use_pmbus the OPERATION command may also be required to instruct the device to start. |
| b[1] | Reserved | Not supported. Always returns 1. |
| b[0] | On_off_config_control_fast_off | CONTROL n pin turn off action when commanding the unit to turn off 0: Use the programmed TOFF_DELAY. 1: Turn off the output and stop transferring energy as quickly as possible, i.e. pull V _{OUTENn} low immediately. The device does not sink current in order to decrease the output voltage fall time. |

CLEAR_FAULTS

The CLEAR_FAULTS command is used to clear any status bits that have been set. This command clears all fault and warning bits in all unpagged status registers, and the pagged status registers selected by the current PAGE setting. At the same time, the device negates (clears, releases) its contribution to ALERTB.

The CLEAR_FAULTS command does not cause a unit that has latched off for a fault condition to restart. See Clearing Latched Faults for more information.

If the fault condition is present after the fault status is cleared, the fault status bit shall be set again and the host notified by the usual means.

Note: This command register does not respond to the global page command (PAGE=0xFF).

PMBus COMMAND DESCRIPTION

WRITE_PROTECT

The WRITE_PROTECT command provides protection against accidental programming of the LTC2978 command registers. All supported commands may have their parameters read, regardless of the WRITE_PROTECT setting.

There are two levels of write protection:

- Level 1: Nothing can be changed except the level of write protection itself. Values can be read from all pages. This setting can be stored to EEPROM.
- Level 2: Nothing can be changed except for the level of protection, channel on/off state and clearing of faults. Values can be read from all pages. This setting can be stored to EEPROM.

WRITE_PROTECT Data Contents

| BITS(S) | SYMBOL | OPERATION |
|---------|--------------------|---|
| b[7:0] | Write_protect[7:0] | Level 1: 1000_0000b: Disable all writes except to the WRITE_PROTECT, PAGE, and STORE_USER_ALL commands. Level 2: 0100_0000b: Disable all writes except to the WRITE_PROTECT, PAGE, STORE_USER_ALL, OPERATION, MFR_PAGE_FF_MASK, and CLEAR_FAULTS. 0000_0000b: Enable writes to all commands. xxxx_xxxx: All other values reserved. |

STORE_USER_ALL and RESTORE_USER_ALL

STORE_USER_ALL, RESTORE_USER_ALL commands provide access to User EEPROM space. Once a command is stored in User EEPROM, it will be restored with an explicit restore command or when the part emerges from power-on reset after power is applied. While either of these commands is being processed, the device will NACK I²C writes.

STORE_USER_ALL. Issuing this command will store all operating memory commands with a corresponding EEPROM memory location. It is recommended that this command not be executed while a unit is enabled since all monitoring is suspended while the operating memory is transferred to EEPROM.

RESTORE_USER_ALL. Issuing this command will restore all commands from EEPROM Memory. It is recommended that this command not be executed while a unit is enabled since all monitoring is suspended while the EEPROM is transferred to operating memory, and intermediate values from EEPROM may not be compatible with the values initially stored in operating memory.

CAPABILITY

The CAPABILITY command provides a way for a host system to determine some key capabilities of the LTC2978. This one byte command is read only.

CAPABILITY Data Contents

| BITS(S) | SYMBOL | OPERATION |
|---------|----------------------|---|
| b[7] | Capability_pec | Hard coded to 1 indicating Packet Error Checking is supported. Reading the Mfr_config_all_pec_en bit will indicate whether PEC is currently required. |
| b[6] | Capability_scl_max | Hard coded to 1 indicating the maximum supported bus speed is 400kHz. |
| b[5] | Capability_smb_alert | Hard coded to 1 indicating this device does have an ALERTB pin and does support the SMBus Alert Response Protocol. |
| b[4:0] | Reserved | Always returns 0. |

PMBus COMMAND DESCRIPTION

VOUT_MODE

This command is read only and specifies the mode and exponent for all commands with a L16 data format. See Data Formats table on page 28.

VOUT_MODE Data Contents

| BIT(S) | SYMBOL | OPERATION |
|--------|---------------------|--|
| b[7:5] | Vout_mode_type | Reports linear mode. Hard wired to 000b. |
| b[4:0] | Vout_mode_parameter | Linear mode exponent. 5-bit two's complement integer. Hardwired to 0x13 (-13 decimal). |

OUTPUT VOLTAGE RELATED COMMANDS

VOUT_COMMAND, VOUT_MAX, VOUT_MARGIN_HIGH, VOUT_MARGIN_LOW, VOUT_OV_FAULT_LIMIT, VOUT_OV_WARN_LIMIT, VOUT_UV_WARN_LIMIT, VOUT_UV_FAULT_LIMIT, POWER_GOOD_ON and POWER_GOOD_OFF

These commands all use the same format and provide various servo, margining, and supervising limits for a channel's output voltage. When odd channels are configured to measure current, the OV_WARN_LIMIT, UV_WARN_LIMIT, OV_FAULT_LIMIT and UV_FAULT_LIMIT commands are not supported.

Data Contents

| BIT(S) | SYMBOL | OPERATION |
|---------|---|--|
| b[15:0] | Vout_command[15:0], Vout_max[15:0], Vout_margin_high[15:0], Vout_margin_low[15:0], Vout_ov_fault_limit[15:0], Vout_ov_warn_limit[15:0], Vout_uv_warn_limit[15:0], Vout_uv_fault_limit[15:0], Power_good_on[15:0], Power_good_off[15:0] | These commands relate to output voltage. The data uses the L16 format. Units: V |

INPUT VOLTAGE RELATED COMMANDS

VIN_ON, VIN_OFF, VIN_OV_FAULT_LIMIT, VIN_OV_WARN_LIMIT, VIN_UV_WARN_LIMIT and VIN_UV_FAULT_LIMIT

These commands use the same format and provide voltage supervising limits for the input voltage V_{IN_SNS} .

Data Contents

| BIT(S) | SYMBOL | OPERATION |
|---------|--|--|
| b[15:0] | Vin_on[15:0], Vin_off[15:0], Vin_ov_fault_limit[15:0], Vin_ov_warn_limit[15:0], Vin_uv_warn_limit[15:0], Vin_uv_fault_limit[15:0] | These commands relate to input voltage. The data uses the L11 format. Units: V. |

PMBus COMMAND DESCRIPTION

TEMPERATURE RELATED COMMANDS

OT_FAULT_LIMIT, OT_WARN_LIMIT, UT_WARN_LIMIT and UT_FAULT_LIMIT

These commands provide supervising limits for temperature.

Data Contents

| BIT(S) | SYMBOL | OPERATION |
|---------|---|---|
| b[15:0] | Ot_fault_limit[15:0], Ot_warn_limit[15:0], Ut_warn_limit[15:0], Ut_fault_limit[15:0] | The data uses the L11 format. Units: °C. |

TIMER LIMITS

TON_DELAY, TON_RISE, TON_MAX_FAULT_LIMIT and TOFF_DELAY

These commands share the same format and provide sequencing and timer fault and warning delays in ms.

TON_DELAY is the amount time in ms that elapses after the channel has been allowed on (usually due to CONTROL n pin or OPERATION command) until the channel enables the power supply. This delay is counted using SHARE_CLK only.

TON_RISE is the amount of time in ms that elapses after the power supply has been enabled until the LTC2978's DAC soft connects and servos the output voltage to the desired level if Mfr_dac_mode = 00b. This delay is counted using SHARE_CLK only.

TON_MAX_FAULT_LIMIT is the maximum amount of time that the power supply being controlled by the LTC2978 can attempt to power up the output without reaching the VOUT_UV_FAULT_LIMIT. If the output reaches VOUT_UV_FAULT_LIMIT prior to TON_MAX_FAULT_LIMIT, the LTC2978 unmask the VOUT_UV_FAULT_LIMIT threshold. If it does not, then a TON_MAX_FAULT is declared. (Note that a value of zero means there is no limit to how long the power supply can attempt to bring up its output voltage.) This delay is counted using SHARE_CLK only.

TOFF_DELAY is the amount of time that elapses after the CONTROL n pin and/or OPERATION command is deasserted until the channel is disabled (soft-off). This delay is counted using SHARE_CLK if available, otherwise the internal oscillator is used.

Data Contents

| BIT(S) | SYMBOL | OPERATION |
|---------|--|--|
| b[15:0] | Ton_delay[15:0], Ton_rise[15:0], Ton_max_fault_limit[15:0], Toff_delay[15:0], | The data uses the L11 format. The internal timers operate on a 10 μ s internal clock. The SHARE_CLK pin may be used to synchronize the 10 μ s timer. Delays are rounded to the nearest 10 μ s Units: ms. Max value: 655ms |

PMBus COMMAND DESCRIPTION

FAULT RESPONSE FOR VOLTAGES MEASURED BY THE HIGH SPEED SUPERVISOR

VOUT_OV_FAULT_RESPONSE and VOUT_UV_FAULT_RESPONSE

The fault response documented here is for voltages that are measured by the high speed supervisor. These voltages are measured over a short period of time and may require a deglitch period. Note that in addition to the response described by these commands, the LTC2978 will also:

- Set the appropriate bit(s) in the STATUS_BYTE
- Set the appropriate bit(s) in the STATUS_WORD
- Set the appropriate bit in the corresponding STATUS_VOUT register, and
- Notify the host by pulling the ALERTB pin low.

Note: Odd numbered channels configured for high resolution ADC measurements (for current measurement) will not respond to OV/UV faults or warnings.

Data Contents

| BIT(S) | SYMBOL | OPERATION |
|--------|---|---|
| b[7:6] | Vout_ov_fault_response_action, Vout_uv_fault_response_action | Response action: 00b: The unit continues operation without interruption. 01b: The unit continues operating for the delay time specified by bits[2:0] in increments of ts_vs. (See Electrical Characteristics Table, Voltage Supervisor Characteristics section). If the fault is still present at the end of the delay time, the unit shuts down and responds as programmed in the retry setting (bits [5:3]). 1Xb: The device shuts down and responds according to the retry setting in bits [5:3]. |
| b[5:3] | Vout_ov_fault_response_retry, Vout_uv_fault_response_retry | Response retry behavior: 000b: A zero value for the retry setting means that the unit does not attempt to restart. The output remains disabled until the fault is cleared. 001b-111b: The PMBus device attempts to restart continuously, without limitation, at intervals of Mfr_retry_delay, until it is commanded OFF (by the CONTROL pin or OPERATION command or both), bias power is removed, or another fault condition causes the unit to shut down. Changing the value might not take effect until the next off-then-on sequence on that channel. |
| b[2:0] | Vout_ov_fault_response_delay, Vout_uv_fault_response_delay | This sample count determines the amount of time a unit is to ignore a fault after it is first detected. Use this delay to deglitch fast faults. 000b: The unit turns off immediately. 001b-111b: The unit turns off after b[2:0] samples at the sampling period of ts_vs (12.2µs typical). |

PMBus COMMAND DESCRIPTION

FAULT RESPONSE FOR VALUES MEASURED BY THE ADC

OT_FAULT_RESPONSE, UT_FAULT_RESPONSE, VIN_OV_FAULT_RESPONSE and VIN_UV_FAULT_RESPONSE

The fault response documented here is for values that are measured by the ADC. These values are measured over a longer period of time and are not deglitched. Note that in addition to the response described by these commands, the LTC2978 will also:

- Set the appropriate bit(s) in the STATUS_BYTE
- Set the appropriate bit(s) in the STATUS_WORD
- Set the appropriate bit in the corresponding STATUS_VIN or STATUS_TEMPERATURE register, and
- Notify the host by pulling the ALERTB pin low.

Data Contents

| BIT(S) | SYMBOL | OPERATION |
|--------|---|--|
| b[7:6] | Ot_fault_response_action, Ut_fault_response_action, Vin_ov_fault_response_action, Vin_uv_fault_response_action | Response action: 00b: The unit continues operation without interruption. 01b to 11b: The device shuts down and responds according to the retry setting in bits [5:3]. |
| b[5:3] | Ot_fault_response_retry, Ut_fault_response_retry, Vin_ov_fault_response_retry, Vin_uv_fault_response_retry | Response retry behavior: 000b: A zero value for the retry setting means that the unit does not attempt to restart. The output remains disabled until the fault is cleared. 001b-111b: The PMBus device attempts to restart continuously, without limitation, using Mfr_retry_delay, until it is commanded OFF (by the CONTROL _n pin or OPERATION command or both), bias power is removed, or another fault condition causes the unit to shut down. Changing the value might not take effect until the next off-then-on sequence on that channel. |
| b[2:0] | Ot_fault_response_delay, Ut_fault_response_delay, Vin_ov_fault_response_delay, Vin_uv_fault_response_delay | Hard coded to 000b. The unit turns off immediately. |

TIMED FAULT RESPONSE

TON_MAX_FAULT_RESPONSE

This command defines the LTC2978 response to a TON_MAX_FAULT. It may be used to protect against a short-circuited output at start-up. After start-up use VOUT_UV_FAULT_RESPONSE to protect against a short-circuited output.

The device also:

- Sets the HIGH_BYTE bit in the STATUS_BYTE,
- Sets the VOUT bit in the STATUS_WORD,
- Sets the TON_MAX_FAULT bit in the STATUS_VOUT register, and
- Notifies the host by asserting ALERTB.

PMBus COMMAND DESCRIPTION

TON_MAX_FAULT_RESPONSE Data Contents

| BIT(S) | SYMBOL | OPERATION |
|--------|-------------------------------|--|
| b[7:6] | Ton_max_fault_response_action | Response action: 00b: The unit continues operation without interruption. 01b: The unit continues operating for the delay time specified which for this type of fault corresponds to an immediate shutdown. After shutting off, the device responds according to the retry settings in bits [5:3]. 1Xb: The device shuts down and responds according to the retry setting in bits [5:3]. |
| b[5:3] | Ton_max_fault_response_retry | Response retry behavior: 000b: A zero value for the Retry Setting means that the unit does not attempt to restart. The output remains disabled until the fault is cleared. 001b-111b: The PMBus device attempts to restart continuously, without limitation, using Mfr_retry_delay, until it is commanded OFF (by the CONTROL _n pin or OPERATION command or both), bias power is removed, or another fault condition causes the unit to shut down. Changing the value might not take effect until the next off-then-on sequence on that channel. |
| b[2:0] | Ton_max_fault_response_delay | Hard coded to 000b. The unit turns off immediately. |

Clearing Latched Faults

Latched faults are reset by toggling the CONTROL pin, using the OPERATION or ON_OFF_CONFIG command, or removing and reapplying the bias voltage to the V_{IN_SNS} pin. All fault and warning conditions result in the ALERTB pin being asserted low and the corresponding bits being set in the status registers. The CLEAR_FAULTS command resets the contents of the status registers and de-asserts the ALERTB output, but it does not clear a faulted off state nor allow a channel to turn back on.

After resetting the faults, ALERTB will be de-asserted. If using a CONTROL pin toggle that does not affect all channels, a non-global OPERATION or ON_OFF_CONFIG command, or a CLEAR_FAULTS command, check the Status_word of all other channels to make sure no additional faults are reported.

STATUS COMMANDS

STATUS_BYTE:

The STATUS_BYTE command returns the summary of the most critical faults or warnings which have occurred, as shown in the following table. STATUS_BYTE is a subset of STATUS_WORD and duplicates the same information.

STATUS_BYTE Data Contents

| BIT(S) | SYMBOL | OPERATION |
|--------|-----------------------|-------------------------------|
| b[7] | Status_byte_busy | Same as Status_word_busy |
| b[6] | Status_byte_off | Same as Status_word_off |
| b[5] | Status_byte_vout_ov | Same as Status_word_vout_ov |
| b[4] | Status_byte_iout_oc | Same as Status_word_iout_oc |
| b[3] | Status_byte_vin_uv | Same as Status_word_vin_uv |
| b[2] | Status_byte_temp | Same as Status_word_temp |
| b[1] | Status_byte_cml | Same as Status_word_cml |
| b[0] | Status_byte_high_byte | Same as Status_word_high_byte |

PMBus COMMAND DESCRIPTION

STATUS_WORD:

The STATUS_WORD command returns two bytes of information with a summary of the unit's fault condition. Based on the information in these bytes, the host can get more information by reading the appropriate detailed status register.

The low byte of the STATUS_WORD is the same register as the STATUS_BYTE command.

STATUS_WORD Data Contents

| BIT(S) | SYMBOL | OPERATION |
|--------|----------------------------|--|
| b[15] | Status_word_vout | An output voltage fault or warning has occurred. See STATUS_VOUT. |
| b[14] | Status_word_iout | Not supported. Always returns 0. |
| b[13] | Status_word_input | An input voltage fault or warning has occurred. See STATUS_INPUT. |
| b[12] | Status_word_mfr | A manufacturer specific fault has occurred. See STATUS_MFR_SPECIFIC. |
| b[11] | Status_word_power_not_good | The PWRGD pin, if enabled is negated. Power is not good. |
| b[10] | Status_word_fans | Not supported. Always returns 0. |
| b[9] | Status_word_other | Not supported. Always returns 0. |
| b[8] | Status_word_unknown | Not supported. Always returns 0. |
| b[7] | Status_word_busy | Device busy when PMBus command received. See OPERATION: Processing Commands. |
| b[6] | Status_word_off | This bit is asserted if the unit is not providing power to the output, regardless of the reason, including simply not being enabled. The off bit is clear if unit is allowed to provide power to the output. |
| b[5] | Status_word_vout_ov | An output overvoltage fault has occurred. |
| b[4] | Status_word_iout_oc | Not supported. Always returns 0. |
| b[3] | Status_word_vin_uv | A V_{IN} undervoltage fault has occurred. |
| b[2] | Status_word_temp | A temperature fault or warning has occurred. See STATUS_TEMPERATURE. |
| b[1] | Status_word_cml | A communication, memory or logic fault has occurred. See STATUS_CML. |
| b[0] | Status_word_high_byte | A fault/warning not listed in b[7:1] has occurred. |

STATUS_VOUT

The STATUS_VOUT command returns the summary of the output voltage faults or warnings which have occurred, as shown in the following table:

STATUS_VOUT Data Contents

| BIT(S) | SYMBOL | OPERATION |
|--------|----------------------------|--|
| b[7] | Status_vout_ov_fault | Overvoltage fault. |
| b[6] | Status_vout_ov_warn | Overvoltage warning. |
| b[5] | Status_vout_uv_warn | Undervoltage warning |
| b[4] | Status_vout_uv_fault | Undervoltage fault. |
| b[3] | Status_vout_max_fault | VOUT_MAX fault. An attempt has been made to set the output voltage to a value higher than allowed by the VOUT_MAX command. After being cleared, Status_vout_max_fault will not report additional faults until a channel state transition (off-then-on) has been performed or a valid output voltage, lower than allowed by VOUT_MAX, has been set. |
| b[2] | Status_vout_ton_max_fault | TON_MAX_FAULT sequencing fault. |
| b[1] | Status_vout_toff_max_warn | Not supported. Always returns 0. |
| b[0] | Status_vout_tracking_error | Not supported. Always returns 0. |

PMBus COMMAND DESCRIPTION

STATUS_INPUT

The STATUS_INPUT command returns the summary of the V_{IN} faults or warnings which have occurred, as shown in the following table:

STATUS_INPUT Data Contents

| BIT(S) | SYMBOL | OPERATION |
|--------|----------------------------|---|
| b[7] | Status_input_ov_fault | V_{IN} Overvoltage fault |
| b[6] | Status_input_ov_warn | V_{IN} Overvoltage warning |
| b[5] | Status_input_uv_warn | V_{IN} Undervoltage warning |
| b[4] | Status_input_uv_fault | V_{IN} Undervoltage fault |
| b[3] | Status_input_off | Unit is off for insufficient input voltage. |
| b[2] | I_{IN} overcurrent fault | Not supported. Always returns 0. |
| b[1] | I_{IN} overcurrent warn | Not supported. Always returns 0. |
| b[0] | PIN overpower warn | Not supported. Always returns 0. |

STATUS_TEMPERATURE

The STATUS_TEMPERATURE command returns the summary of the temperature faults or warnings which have occurred, as shown in the following table:

STATUS_TEMPERATURE Data Contents

| Bit(s) | Symbol | Operation |
|--------|-----------------------------|-----------------------------|
| b[7] | Status_temperature_ot_fault | Overtemperature fault. |
| b[6] | Status_temperature_ot_warn | Overtemperature warning. |
| b[5] | Status_temperature_ut_warn | Undertemperature warning. |
| b[4] | Status_temperature_ut_fault | Undertemperature fault. |
| b[3] | Reserved | Reserved. Always returns 0. |
| b[2] | Reserved | Reserved. Always returns 0. |
| b[1] | Reserved | Reserved. Always returns 0. |
| b[0] | Reserved | Reserved. Always returns 0. |

PMBus COMMAND DESCRIPTION

STATUS_CML

The STATUS_CML command returns the summary of the communication, memory and logic faults or warnings which have occurred, as shown in the following table:

STATUS_CML Data Contents

| BIT(S) | SYMBOL | OPERATION |
|--------|----------------------------|--|
| b[7] | Status_cml_cmd_fault | Illegal or unsupported command fault has occurred. |
| b[6] | Status_cml_data_fault | Illegal or unsupported data received. |
| b[5] | Status_cml_pec_fault | A PEC fault has occurred. Note: PEC checking is always active in the LTC2978. Any extra byte received before a STOP will set Status_cml_pec_fault unless the extra byte is a matching PEC byte. |
| b[4] | Status_cml_memory_fault | A fault has occurred in the EEPROM. The CLEAR_FAULTS command will clear this bit, but correct operation should not be assumed until a successful retry of the failing EEPROM access has occurred. |
| b[3] | Status_cml_processor_fault | Not supported, always returns 0. |
| b[2] | Reserved | Reserved, always returns 0. |
| b[1] | Status_cml_pmbus_fault | A communication fault other than ones listed in this table has occurred. This is a catch all category for illegally formed I ² C/SMBus commands (Example: An address byte with read =1 received immediately after a START). |
| b[0] | Status_cml_unknown_fault | Not supported, always returns 0. |

STATUS_MFR_SPECIFIC

The STATUS_MFR_SPECIFIC command returns manufacturer specific status flags. Bits marked CHANNEL = all are not paged. Bits marked STICKY=yes stay set until a CLEAR_FAULTS is issued or the channel is commanded on by the user. Bits marked ALERT=yes pull ALERTB low when the bit is set. Bits marked OFF=yes indicate that the event can be configured elsewhere to turn the channel off.

STATUS_MFR_SPECIFIC Data Contents

| BIT(S) | SYMBOL | OPERATION | CHANNEL | STICKY | ALERT | OFF |
|--------|---------------------------------|--|--------------|--------|-------|-----|
| b[7] | Status_mfr_discharge | A V _{OUT} discharge fault occurred while attempting to enter the ON state | Current Page | Yes | Yes | Yes |
| b[6] | Status_mfr_fault1_in | This channel attempted to turn on while the FAULTBz1 pin was asserted low, or this channel has shut down at least once in response to a FAULTBz1 pin asserting low since the last CONTROL _n pin toggle, OPERATION command ON/OFF cycle or CLEAR_FAULTS command. | Current Page | Yes | Yes | Yes |
| b[5] | Status_mfr_fault0_in | This channel attempted to turn on while the FAULTBz0 pin was asserted low, or this channel has shut down at least once in response to a FAULTBz0 pin asserting low since the last CONTROL _n pin toggle, OPERATION command ON/OFF cycle or CLEAR_FAULTS command. | Current Page | Yes | Yes | Yes |
| b[4] | Status_mfr_servo_target_reached | Servo target has been reached. | Current Page | No | No | No |
| b[3] | Status_mfr_dac_connected | DAC is connected and driving V _{DACP} pin. | Current Page | No | No | No |
| b[2] | Status_mfr_dac_saturated | A previous servo operation terminated with maximum or minimum DAC value. | Current Page | Yes | No | No |
| b[1] | Status_mfr_vinen_faulted_off | V _{IN_EN} has been deasserted due to a V _{OUT} fault. | All | No | No | No |
| b[0] | Status_mfr_watchdog_fault | A watchdog fault has occurred. | All | Yes | Yes | No |

PMBus COMMAND DESCRIPTION

ADC MONITORING COMMANDS

READ_VIN

This command returns the most recent ADC measured value of the voltage measured at the V_{IN_SNS} pin.

READ_VIN Data Contents

| BIT(S) | SYMBOL | OPERATION |
|---------|----------------|---|
| b[15:0] | Read_vin[15:0] | The data uses the L11 format. Units: V |

READ_VOUT

This command returns the most recent ADC measured value of the channel's output voltage. When odd channels are configured to measure current, the data contents use the L11 format with units in mV.

READ_VOUT Data Contents

| BIT(S) | SYMBOL | OPERATION |
|---------|-----------------|---|
| b[15:0] | Read_vout[15:0] | The data uses the L16 format. Units: V |

READ_VOUT Data Contents—for Odd Channels Configured to Measure Current (Mfr_config_adc_hires = 1)

| Bit(s) | Symbol | Operation |
|---------|-----------------|--|
| b[15:0] | Read_vout[15:0] | The data uses the L11 format. Units: mV |

READ_TEMPERATURE_1

This command returns the most recent ADC measured value of junction temperature in °C as determined by the LTC2978's internal temperature sensor.

READ_TEMPERATURE_1 Data Contents

| BIT(S) | SYMBOL | OPERATION |
|---------|---------------------------|---|
| b[15:0] | Read_temperature_1 [15:0] | The data uses the L11 format. Units: °C. |

PMBUS_REVISION

The PMBUS_REVISION command register is read only and reports the LTC2978 compliance to the PMBus standard revision 1.1.

PMBUS_REVISION Data Contents

| BIT(S) | SYMBOL | OPERATION |
|--------|-----------|--|
| b[7:0] | PMBus_rev | Reports the PMBus standard revision compliance. This is hard-coded to 0x11 for revision 1.1. |

PMBus COMMAND DESCRIPTION

MANUFACTURER SPECIFIC COMMANDS

MFR_CONFIG_LTC2978

This command is used to configure various manufacturer specific operating parameters for each channel.

MFR_CONFIG_LTC2978 Data Contents

| BIT(S) | SYMBOL | OPERATION |
|----------|----------------------------------|---|
| b[15:12] | Reserved | Don't care. Always returns 0. |
| b[11] | Mfr_config_fast_servo_off | Disables fast servo when margining or trimming output voltages: 0: fast-servo enabled. 1: fast-servo disabled. |
| b[10] | Mfr_config_supervisor_resolution | Selects supervisor resolution: 0: high resolution – 4mV/LSB, range for $V_{VSENSEn} - V_{VSENSEMn}$ is 0V to 3.8V. 1: low resolution – 8mV/LSB, range for $V_{VSENSEn} - V_{VSENSEMn}$ is 0V to 6.0V. |
| b[9] | Mfr_config_adc_hires | Selects ADC resolution for odd channels. This is typically used to measure current. Ignored for even channels (they always use low resolution). 0: low resolution – 122 μ V/LSB. 1: high resolution – 15.6 μ V/LSB. |
| b[8] | Mfr_config_controln_sel | Selects the active control pin input (CONTROL0 or CONTROL1) for this channel. 0: Select CONTROL0 pin. 1: Select CONTROL1 pin. |
| b[7] | Mfr_config_servo_continuous | Select whether the UNIT should continuously servo V_{OUT} after it has reached a new margin or nominal target. Only applies when Mfr_config_dac_mode = 00b. 0: Do not continuously servo V_{OUT} after reaching initial target. 1: Continuously servo V_{OUT} to target. |
| b[6] | Mfr_config_servo_on_warn | Control re-servo on warning feature. Only applies when Mfr_config_dac_mode = 00b and Mfr_config_servo_continuous = 0. 0: Do not allow the unit to re-servo when a V_{OUT} warning threshold is met or exceeded. 1: Allow the unit to re-servo V_{OUT} to nominal target if $V_{OUT} \geq V(V_{out_ov_warn_limit})$ or $V_{OUT} \leq V(V_{out_uv_warn_limit})$. |
| b[5:4] | Mfr_config_dac_mode | Determines how DAC is used when channel is in the ON state and TON_RISE has elapsed. 00: Soft-Connect (if needed) and servo to target. 01: DAC not connected. 10: DAC connected immediately using value from MFR_DAC command. If this is the configuration after a reset or Restore_user_all, Mfr_dac will be undefined and must be written to desired value. 11: DAC is soft connected. After soft-connect is complete MFR_DAC may be written. |
| b[3] | Mfr_config_vo_en_wpu_en | V_{OUT_EN} pin charge pumped, current-limited pull-up enable. 0: Disable weak pull-up. V_{OUT_EN} pin driver is three-stated when channel is on. 1: Use weak current-limited pull-up on V_{OUT_EN} pin when the channel is on. For channels 4-7 this bit is treated as a 0 regardless of its value. |
| b[2] | Mfr_config_vo_en_wpd_en | V_{OUT_EN} pin current-limited pull-down enable. 0: Use a fast N-channel device to pull down V_{OUT_EN} pin when the channel is off for any reason. 1: Use weak current-limited pull-down to discharge V_{OUT_EN} pin when channel is off due to soft stop by the CONTROL n pin and/or OPERATION command. If the channel is off due to a fault, use the fast pull-down on V_{OUT_EN} pin. For channels 4-7 this bit is treated as a 0 regardless of its value. |
| b[1] | Mfr_config_dac_gain | DAC buffer gain. 0: Select DAC buffer gain dac_gain_0 (1.38V full-scale) 1: Select DAC buffer gain dac_gain_1 (2.65V full-scale) |

PMBus COMMAND DESCRIPTION

MFR_CONFIG_LTC2978 Data Contents

| BIT(S) | SYMBOL | OPERATION |
|--------|--------------------|---|
| b[0] | Mfr_config_dac_pol | DAC output polarity. 0: Encodes negative (inverting) DC/DC converter trim input. 1: Encodes positive (noninverting) DC/DC converter trim input. |

MFR_CONFIG_ALL_LTC2978

This command is used to configure parameters that are common to all channels on the IC. They may be set or reviewed from any PAGE setting.

MFR_CONFIG_ALL_LTC2978 Data Contents

| BIT(S) | SYMBOL | OPERATION |
|--------|-------------------------------------|--|
| b[7] | Mfr_config_all_fault_log_enable | Enable fault logging to EEPROM in response to Fault. 0: Fault logging to EEPROM is disabled 1: Fault logging to EEPROM is enabled |
| b[6] | Mfr_config_all_vin_on_clr_faults_en | Allow V_{IN} rising above V_{IN_ON} to clear all latched faults 0: V_{IN_ON} clear faults feature is disabled 1: V_{IN_ON} clear faults feature is enabled |
| b[5] | Mfr_config_all_control1_pol | Selects active polarity of CONTROL1 pin. 0: Active low (pull pin low to start unit) 1: Active high (pull pin high to start unit) |
| b[4] | Mfr_config_all_control0_pol | Selects active polarity of CONTROL0 pin. 0: Active low (pull pin low to start unit) 1: Active high (pull pin high to start unit) |
| b[3] | Mfr_config_all_vin_share_enable | Allow this unit to hold SHARE_CLK pin low when V_{IN} has not risen above V_{IN_ON} or has fallen below V_{IN_OFF} . When enabled, this unit will also turn all channels off in response to share-clock being held low. 0: SHARE_CLK inhibit is disabled 1: SHARE_CLK inhibit is enabled |
| b[2] | Mfr_config_all_pec_en | PMBus packet error checking enable. 0: PEC is accepted but not required 1: PEC is required |
| b[1] | Mfr_config_all_longer_pmbus_timeout | Increase PMBus timeout internal by a factor of 8. Recommended for fault logging. 0: PMBus timeout is not multiplied by a factor of 8 1: PMBus timeout is multiplied by a factor of 8 |
| b[0] | Mfr_config_all_vinen_wpu_dis | V_{IN_EN} charge-pumped, current-limited pull-up disable. 0: Use weak current-limited pull-up on V_{IN_EN} after power-up, as long as no faults have forced V_{IN_EN} off. 1: Disable weak pull-up. V_{IN_EN} driver is three-stated after power-up as long as no faults have forced V_{IN_EN} off. |

PMBus COMMAND DESCRIPTION

MFR_FAULTz0_PROPAGATE, MFR_FAULTz1_PROPAGATE

These manufacturer specific commands enable channels that have faulted off to propagate that state to the appropriate fault pin. Faulted off states for pages 0 through 3 can only be propagated to pins FAULTB00 and FAULTB01; this is referred to as zone 0. Faulted off states for pages 4 through 7 can only be propagated to pins FAULTB10 and FAULTB11; this is referred to as zone 1. The z designator in the command name is used to indicate that this command affects different zones depending on the page. See Figure 19.

Note that pulling a fault pin low will have no effect for channels that have MFR_FAULTBzn_RESPONSE set to 0. The channel continues operation without interruption. This fault response is called Ignore (0x0) in LTpowerPlay™.

MFR_FAULTz0_PROPAGATE Data Content

| BIT(S) | SYMBOL | OPERATION |
|--------|------------------------|---|
| b[7:1] | Reserved | Don't care. Always returns 0. |
| b[0] | Mfr_faultbz0_propagate | Enable fault propagation. For pages 0 through 3, zone 0 0: Channel's faulted off state does not assert FAULTB00 low. 1: Channel's faulted off state asserts FAULTB00 low. For pages 4 through 7, zone 1 0: Channel's faulted off state does not assert FAULTB10 low. 1: Channel's faulted off state asserts FAULTB10 low. |

MFR_FAULTz1_PROPAGATE Data Content

| BIT(S) | SYMBOL | OPERATION |
|--------|------------------------|---|
| b[7:1] | Reserved | Don't care. Always returns 0. |
| b[0] | Mfr_faultbz1_propagate | Enable fault propagation. For pages 0 through 3, zone 0 0: Channel's faulted off state does not assert FAULTB01 low. 1: Channel's faulted off state asserts FAULTB01 low. For pages 4 through 7, zone 1 0: Channel's faulted off state does not assert FAULTB11 low. 1: Channel's faulted off state asserts FAULTB11 low. |

PMBus COMMAND DESCRIPTION

MFR_PWRGD_EN

This command register controls the mapping of the watchdog and channel power good status to the PWRGD pin. Note that odd numbered channels whose ADC is in high res mode do not contribute to power good.

MFR_PWRGD_EN Data Contents

| BIT(S) | SYMBOL | OPERATION |
|---------|--------------------|---|
| b[15:9] | Reserved | Read only, always returns 0s. |
| b[8] | Mfr_pwrzd_en_wdog | Watchdog 1 = Watchdog timer not-expired status is ANDed with PWRGD status for any similarly enabled channels to determine when the PWRGD pin gets asserted. 0 = Watchdog timer does not affect the PWRGD pin. |
| b[7] | Mfr_pwrzd_en_chan7 | Channel 7 1 = PWRGD status for this channel is ANDed with PWRGD status for any similarly enabled channels to determine when the PWRGD pin gets asserted. 0 = PWRGD status for this channel does not affect the PWRGD pin. |
| b[6] | Mfr_pwrzd_en_chan6 | Channel 6 1 = PWRGD status for this channel is ANDed with PWRGD status for any similarly enabled channels to determine when the PWRGD pin gets asserted. 0 = PWRGD status for this channel does not affect the PWRGD pin. |
| b[5] | Mfr_pwrzd_en_chan5 | Channel 5 1 = PWRGD status for this channel is ANDed with PWRGD status for any similarly enabled channels to determine when the PWRGD pin gets asserted. 0 = PWRGD status for this channel does not affect the PWRGD pin. |
| b[4] | Mfr_pwrzd_en_chan4 | Channel 4 1 = PWRGD status for this channel is ANDed with PWRGD status for any similarly enabled channels to determine when the PWRGD pin gets asserted. 0 = PWRGD status for this channel does not affect the PWRGD pin. |
| b[3] | Mfr_pwrzd_en_chan3 | Channel 3 1 = PWRGD status for this channel is ANDed with PWRGD status for any similarly enabled channels to determine when the PWRGD pin gets asserted. 0 = PWRGD status for this channel does not affect the PWRGD pin. |
| b[2] | Mfr_pwrzd_en_chan2 | Channel 2 1 = PWRGD status for this channel is ANDed with PWRGD status for any similarly enabled channels to determine when the PWRGD pin gets asserted. 0 = PWRGD status for this channel does not affect the PWRGD pin. |
| b[1] | Mfr_pwrzd_en_chan1 | Channel 1 1 = PWRGD status for this channel is ANDed with PWRGD status for any similarly enabled channels to determine when the PWRGD pin gets asserted. 0 = PWRGD status for this channel does not affect the PWRGD pin. |
| b[0] | Mfr_pwrzd_en_chan0 | Channel 0 1 = PWRGD status for this channel is ANDed with PWRGD status for any similarly enabled channels to determine when the PWRGD pin gets asserted. 0 = PWRGD status for this channel does not affect the PWRGD pin. |

PMBus COMMAND DESCRIPTION

MFR_FAULTB00_RESPONSE, MFR_FAULTB01_RESPONSE, MFR_FAULTB10_RESPONSE and MFR_FAULTB11_RESPONSE

These manufacturer specific commands share the same format and specify the response to assertions of the FAULTB pins. For fault zone 0, MFR_FAULTB00_RESPONSE determines whether channels 0 to 3 shut off when the FAULTB00 pin is asserted, and MFR_FAULTB01_RESPONSE determines whether channels 0 to 3 shut off when the FAULTB01 pin is asserted. For fault zone 1, MFR_FAULTB10_RESPONSE determines whether channels 4 to 7 shut off when the FAULTB10 pin is asserted, and MFR_FAULTB11_RESPONSE determines whether channels 4 to 7 shut off when the FAULTB11 pin is asserted. When a channel shuts off in response to a FAULTB pin, the ALERTB pin is asserted low and the appropriate bit is set in the STATUS_MFR_SPECIFIC register. For a graphical explanation, see the switches on the left hand side of Figure 19, Channel Fault Management Block Diagram.

Data Contents—Fault Zone 0 Response Commands

| BIT(S) | SYMBOL | OPERATION |
|--------|---|---|
| b[7:4] | Reserved | Read only, always returns 0s. |
| b[3] | Mfr_faultb00_response_chan3, Mfr_faultb01_response_chan3 | Channel 3 response. 0: The channel continues operation without interruption. 1: The channel shuts down if the corresponding FAULTB _{zn} pin is still asserted after 10μs. When the FAULTB _{zn} pin subsequently deasserts, the channel turns back on, honoring TON_DELAY and TON_RISE settings. |
| b[2] | Mfr_faultb00_response_chan2, Mfr_faultb01_response_chan2 | Channel 2 response. 0: The channel continues operation without interruption. 1: The channel shuts down if the corresponding FAULTB _{zn} pin is still asserted after 10μs. When the FAULTB _{zn} pin subsequently deasserts, the channel turns back on, honoring TON_DELAY and TON_RISE settings. |
| b[1] | Mfr_faultb00_response_chan1, Mfr_faultb01_response_chan1 | Channel 1 response. 0: The channel continues operation without interruption. 1: The channel shuts down if the corresponding FAULTB _{zn} pin is still asserted after 10μs. When the FAULTB _{zn} pin subsequently deasserts, the channel turns back on, honoring TON_DELAY and TON_RISE settings. |
| b[0] | Mfr_faultb00_response_chan0, Mfr_faultb01_response_chan0 | Channel 0 response. 0: The channel continues operation without interruption. 1: The channel shuts down if the corresponding FAULTB _{zn} pin is still asserted after 10μs. When the FAULTB _{zn} pin subsequently deasserts, the channel turns back on, honoring TON_DELAY and TON_RISE settings. |

Data Contents—Fault Zone 1 Response Commands

| BIT(S) | SYMBOL | OPERATION |
|--------|---|---|
| b[7:4] | Reserved | Read only, always returns 0s. |
| b[3] | Mfr_faultb10_response_chan7, Mfr_faultb11_response_chan7 | Channel 7 response. 0: The channel continues operation without interruption. 1: The channel shuts down if the corresponding FAULTB _{zn} pin is still asserted after 10μs. When the FAULTB _{zn} pin subsequently deasserts, the channel turns back on, honoring TON_DELAY and TON_RISE settings. |
| b[2] | Mfr_faultb10_response_chan6, Mfr_faultb11_response_chan6 | Channel 6 response. 0: The channel continues operation without interruption. 1: The channel shuts down if the corresponding FAULTB _{zn} pin is still asserted after 10μs. When the FAULTB _{zn} pin subsequently deasserts, the channel turns back on, honoring TON_DELAY and TON_RISE settings. |
| b[1] | Mfr_faultb10_response_chan5, Mfr_faultb11_response_chan5 | Channel 5 response. 0: The channel continues operation without interruption. 1: The channel shuts down if the corresponding FAULTB _{zn} pin is still asserted after 10μs. When the FAULTB _{zn} pin subsequently deasserts, the channel turns back on, honoring TON_DELAY and TON_RISE settings. |
| b[0] | Mfr_faultb10_response_chan4, Mfr_faultb11_response_chan4 | Channel 4 response. 0: The channel continues operation without interruption. 1: The channel shuts down if the corresponding FAULTB _{zn} pin is still asserted after 10μs. When the FAULTB _{zn} pin subsequently deasserts, the channel turns back on, honoring TON_DELAY and TON_RISE settings. |

2978fd

PMBus COMMAND DESCRIPTION

MFR_VINEN_OV_FAULT_RESPONSE

This command register determines whether V_{OUT} over voltage faults from a given channel cause the V_{IN_EN} pin to be forced off.

MFR_VINEN_OV_FAULT_RESPONSE Data Contents

| BIT(S) | SYMBOL | OPERATION |
|--------|-----------------------------------|---|
| b[7] | Mfr_vinen_ov_fault_response_chan7 | Response to channel 7 VOUT_OV_FAULT. 1 = Disable V_{IN_EN} via fast pull-down. 0 = Leave V_{IN_EN} as-is. |
| b[6] | Mfr_vinen_ov_fault_response_chan6 | Response to channel 6 VOUT_OV_FAULT. 1 = Disable V_{IN_EN} via fast pull-down. 0 = Leave V_{IN_EN} as-is. |
| b[5] | Mfr_vinen_ov_fault_response_chan5 | Response to channel 5 VOUT_OV_FAULT. 1 = Disable V_{IN_EN} via fast pull-down. 0 = Leave V_{IN_EN} as-is. |
| b[4] | Mfr_vinen_ov_fault_response_chan4 | Response to channel 4 VOUT_OV_FAULT. 1 = Disable V_{IN_EN} via fast pull-down. 0 = Leave V_{IN_EN} as-is. |
| b[3] | Mfr_vinen_ov_fault_response_chan3 | Response to channel 3 VOUT_OV_FAULT. 1 = Disable V_{IN_EN} via fast pull-down. 0 = Leave V_{IN_EN} as-is. |
| b[2] | Mfr_vinen_ov_fault_response_chan2 | Response to channel 2 VOUT_OV_FAULT. 1 = Disable V_{IN_EN} via fast pull-down. 0 = Leave V_{IN_EN} as-is. |
| b[1] | Mfr_vinen_ov_fault_response_chan1 | Response to channel 1 VOUT_OV_FAULT. 1 = Disable V_{IN_EN} via fast pull-down. 0 = Leave V_{IN_EN} as-is. |
| b[0] | Mfr_vinen_ov_fault_response_chan0 | Response to channel 0 VOUT_OV_FAULT. 1 = Disable V_{IN_EN} via fast pull-down. 0 = Leave V_{IN_EN} as-is. |

PMBus COMMAND DESCRIPTION

MFR_VINEN_UV_FAULT_RESPONSE

This command register determines whether V_{OUT} undervoltage faults from a given channel cause the V_{IN_EN} pin to be forced off.

MFR_VINEN_UV_FAULT_RESPONSE Data Contents

| BIT(S) | SYMBOL | OPERATION |
|--------|-----------------------------------|---|
| b[7] | Mfr_vinen_uv_fault_response_chan7 | Response to channel 7 VOUT_UV_FAULT. 1 = Disable V_{IN_EN} via fast pull-down. 0 = Leave V_{IN_EN} as-is. |
| b[6] | Mfr_vinen_uv_fault_response_chan6 | Response to channel 6 VOUT_UV_FAULT. 1 = Disable V_{IN_EN} via fast pull-down. 0 = Leave V_{IN_EN} as-is. |
| b[5] | Mfr_vinen_uv_fault_response_chan5 | Response to channel 5 VOUT_UV_FAULT. 1 = Disable V_{IN_EN} via fast pull-down. 0 = Leave V_{IN_EN} as-is. |
| b[4] | Mfr_vinen_uv_fault_response_chan4 | Response to channel 4 VOUT_UV_FAULT. 1 = Disable V_{IN_EN} via fast pull-down. 0 = Leave V_{IN_EN} as-is. |
| b[3] | Mfr_vinen_uv_fault_response_chan3 | Response to channel 3 VOUT_UV_FAULT. 1 = Disable V_{IN_EN} via fast pull-down. 0 = Leave V_{IN_EN} as-is. |
| b[2] | Mfr_vinen_uv_fault_response_chan2 | Response to channel 2 VOUT_UV_FAULT. 1 = Disable V_{IN_EN} via fast pull-down. 0 = Leave V_{IN_EN} as-is. |
| b[1] | Mfr_vinen_uv_fault_response_chan1 | Response to channel 1 VOUT_UV_FAULT. 1 = Disable V_{IN_EN} via fast pull-down. 0 = Leave V_{IN_EN} as-is. |
| b[0] | Mfr_vinen_uv_fault_response_chan0 | Response to channel 0 VOUT_UV_FAULT. 1 = Disable V_{IN_EN} via fast pull-down. 0 = Leave V_{IN_EN} as-is. |

MFR_RETRY_DELAY

This command determines the retry interval when the LTC2978 is in retry mode in response to a fault condition.

MFR_RETRY_DELAY Data Contents

| BIT(S) | SYMBOL | OPERATION |
|---------|-----------------|---|
| b[15:0] | Mfr_retry_delay | The data uses the L11 format. This delay is counted using SHARE_CLK only. Delays are rounded to the nearest 200 μ s. Units: ms. Max delay is 13.1 sec. |

PMBus COMMAND DESCRIPTION

MFR_RESTART_DELAY

This command sets the minimum off time of a CONTROL initiated restart. If the CONTROL pin is toggled off for at least 10 μ s then on, all dependent channels are disabled, held off for a time = Mfr_restart_delay, then sequenced back on. CONTROL n pin transitions whose OFF time exceeds Mfr_restart_delay are not affected by this command. A value of all zeros disables this feature.

MFR_RESTART_DELAY Data Contents

| BIT(S) | SYMBOL | OPERATION |
|---------|-------------------|---|
| b[15:0] | Mfr_restart_delay | The data uses the L11 format. This delay is counted using SHARE_CLK only. Delays are rounded to the nearest 200 μ s. Units: ms. Max delay is 13.1 sec. |

MFR_VOUT_PEAK

This command returns the maximum ADC measured value of the channel's output voltage. This command is not supported for odd channels that are configured to measure current. This register is reset to 0xF800 (0.0) when the LTC2978 emerges from power-on reset or when a CLEAR_FAULTS command is executed.

MFR_VOUT_PEAK Data Contents

| BIT(S) | SYMBOL | OPERATION |
|---------|---------------------|--|
| b[15:0] | Mfr_vout_peak[15:0] | The data uses the L16 format. Units: V. |

MFR_VIN_PEAK

This command returns the maximum ADC measured value of the input voltage. This register is reset to 0x7C00 (-2^{25}) when the LTC2978 emerges from power-on reset or when a CLEAR_FAULTS command is executed.

MFR_VIN_PEAK Data Contents

| BIT(S) | SYMBOL | OPERATION |
|---------|--------------------|---|
| b[15:0] | Mfr_vin_peak[15:0] | The data uses the L11 format. Units: V |

MFR_TEMPERATURE_PEAK

This command returns the maximum ADC measured value of junction temperature in $^{\circ}$ C as determined by the LTC2978's internal temperature sensor. This register is reset to 0x7C00 (-2^{25}) when the LTC2978 emerges from power-on reset or when a CLEAR_FAULTS command is executed.

MFR_TEMPERATURE_PEAK Data Contents

| BIT(S) | SYMBOL | OPERATION |
|---------|----------------------------|---|
| b[15:0] | Mfr_temperature_peak[15:0] | The data uses the L11 format. Units: $^{\circ}$ C. |

PMBus COMMAND DESCRIPTION

MFR_DAC

This command register allows the user to directly program the 10-bit DAC. Manual DAC writes require the channel to be in the ON state, TON_RISE to have expired and MFR_CONFIG_LTC2978 b[5:4] = 10b or 11b. Writing MFR_CONFIG_LTC2978 b[5:4] = 10b commands the DAC to hard connect with the value in Mfr_dac_direct_val. Writing b[5:4] = 11b commands the DAC to soft connect. Once the DAC has soft connected, Mfr_dac_direct_val returns the value that allowed the DAC to be connected without perturbing the power supply. MFR_DAC writes are ignored when MFR_CONFIG_LTC2978 b[5:4] = 00b or 01b.

MFR_DAC Data Contents

| BIT(S) | SYMBOL | OPERATION |
|----------|--------------------|------------------------------|
| b[15:10] | Reserved | Read only, always returns 0. |
| b[9:0] | Mfr_dac_direct_val | DAC code value. |

MFR_POWERGOOD_ASSERTION_DELAY

This command register allows the user to program the delay from when the internal power good signal becomes valid until the power good output is asserted. This delay is counted using SHARE_CLK if available, otherwise the internal oscillator is used. This delay is internally limited to 13.1 seconds, and rounded to the nearest 200µs. The read value of this command always returns what was last written and does not reflect internal limiting.

MFR_POWERGOOD_ASSERTION_DELAY Data Contents

| BIT(S) | SYMBOL | OPERATION |
|---------|-------------------------------|--|
| b[15:0] | Mfr_powergood_assertion_delay | The data uses the L11 format. This delay is counted using SHARE_CLK if available, otherwise the internal oscillator is used. Delays are rounded to the nearest 200µs. Units: ms. Max delay is 13.1 sec. |

WATCHDOG OPERATION

A non zero write to the MFR_WATCHDOG_T register will reset the watchdog timer. Low-to-high transitions on the WDI/RESETB pin also reset the watchdog timer. If the timer expires, ALERTB is asserted and the PWRGD output is optionally deasserted and then reasserted after MFR_PWRGD_ASSERTION_DELAY ms. Writing 0 to either the MFR_WATCH_DOG_T or MFR_WATCHDOG_T_FIRST registers will disable the timer.

MFR_WATCHDOG_T_FIRST and MFR_WATCHDOG_T

The MFR_WATCHDOG_T_FIRST register allows the user to program the duration of the first watchdog timer interval following assertion of the POWER GOOD signal, assuming the POWER GOOD signal reflects the status of the watchdog timer. If assertion of POWER GOOD is not conditioned by the watchdog timer's status, then MFR_WATCHDOG_T_FIRST applies to the first timing interval after the timer is enabled. Writing a value of 0ms to the MFR_WATCHDOG_T_FIRST register disables the watchdog timer.

The MFR_WATCHDOG_T register allows the user to program watchdog time intervals subsequent to the MFR_WATCHDOG_T_FIRST timing interval. Writing a value of 0ms to the MFR_WATCHDOG_T register disables the watchdog timer. A non-zero write to MFR_WATCHDOG_T will reset the watchdog timer.

PMBus COMMAND DESCRIPTION

MFR_WATCHDOG_T_FIRST and MFR_WATCHDOG_T Data Contents

| BIT(S) | SYMBOL | OPERATION |
|---------|--|---|
| b[15:0] | Mfr_watchdog_t_first Mfr_watchdog_t | The data uses the L11 format. These timers operate on an internal clock. The Mfr_watchdog_t timer will align to SHARE_CLK if it is running. Delays are rounded to the nearest 10µs for _t and 1ms for _t_first. Writing a zero value for Y to the Mfr_watchdog_t or Mfr_watchdog_t_first registers will disable the watchdog timer. Units: ms. Max timeout is 0.6 sec for _t and 65 sec for _t_first |

MFR_PAGE_FF_MASK

The MFR_PAGE_FF_MASK command is used to select which channels respond when the global page command (PAGE=0xFF) is in use.

MFR_PAGE_FF_MASK Data Contents

| BIT(S) | SYMBOL | OPERATION |
|--------|------------------------|---|
| b[7] | Mfr_page_ff_mask_chan7 | Channel 7 masking of global page command (PAGE=0xFF) accesses 0 = ignore global page command accesses 1 = fully respond to global page command accesses |
| b[6] | Mfr_page_ff_mask_chan6 | Channel 6 masking of global page command (PAGE=0xFF) accesses 0 = ignore global page command accesses 1 = fully respond to global page command accesses |
| b[5] | Mfr_page_ff_mask_chan5 | Channel 5 masking of global page command (PAGE=0xFF) accesses 0 = ignore global page command accesses 1 = fully respond to global page command accesses |
| b[4] | Mfr_page_ff_mask_chan4 | Channel 4 masking of global page command (PAGE=0xFF) accesses 0 = ignore global page command accesses 1 = fully respond to global page command accesses |
| b[3] | Mfr_page_ff_mask_chan3 | Channel 3 masking of global page command (PAGE=0xFF) accesses 0 = ignore global page command accesses 1 = fully respond to global page command accesses |
| b[2] | Mfr_page_ff_mask_chan2 | Channel 2 masking of global page command (PAGE=0xFF) accesses 0 = ignore global page command accesses 1 = fully respond to global page command accesses |
| b[1] | Mfr_page_ff_mask_chan1 | Channel 1 masking of global page command (PAGE=0xFF) accesses 0 = ignore global page command accesses 1 = fully respond to global page command accesses |
| b[0] | Mfr_page_ff_mask_chan0 | Channel 0 masking of global page command (PAGE=0xFF) accesses 0 = ignore global page command accesses 1 = fully respond to global page command accesses |

PMBus COMMAND DESCRIPTION

MFR_PADS

The MFR_PADS command provides read only access to slow frequency digital pads. The input values presented in bits[9:0] are before any deglitching logic.

MFR_PADS Data Contents

| BIT(S) | SYMBOL | OPERATION |
|----------|----------------------------|--|
| b[15] | Mfr_pads_pwrzd_drive | 0 = PWRGD pad is being driven low by this chip 1 = PWRGD pad is not being driven low by this chip |
| b[14] | Mfr_pads_alertb_drive | 0 = ALERTB pad is being driven low by this chip 1 = ALERTB pad is not being driven low by this chip |
| b[13:10] | Mfr_pads_faultb_drive[3:0] | Bit[3] used for FAULTB00 pad, bit[2] used for FAULTB01 pad, bit[1] used for FAULTB10 pad, bit[0] used for FAULTB11 pad as follows: 0 = FAULTBzn pad is being driven low by this chip 1 = FAULTBzn pad is not being driven low by this chip |
| b[9:8] | Mfr_pads_asel1[1:0] | 11: Logic high detected on ASEL1 input pad 10: ASEL1 input pad is floating 01: Reserved 00: Logic low detected on ASEL1 input pad |
| b[7:6] | Mfr_pads_asel0[1:0] | 11: Logic high detected on ASEL0 input pad 10: ASEL0 input pad is floating 01: Reserved 00: Logic low detected on ASEL0 input pad |
| b[5] | Mfr_pads_control1 | 1: Logic high detected on CONTROL1 pad 0: Logic low detected on CONTROL1 pad |
| b[4] | Mfr_pads_control0 | 1: Logic high detected on CONTROL0 pad 0: Logic low detected on CONTROL0 pad |
| b[3:0] | Mfr_pads_faultb[3:0] | Bit[3] used for FAULTB00 pad, bit[2] used for FAULTB01 pad, bit[1] used for FAULTB10 pad, bit[0] used for FAULTB11 pad as follows: 1: Logic high detected on FAULTBzn pad 0: Logic low detected on FAULTBzn pad |

MFR_I2C_BASE_ADDRESS

The MFR_I2C_BASE_ADDRESS command determines the base value for the I²C/SMBus address byte. Offsets of 0 to 9 are added to this base address to make the device I²C/SMBus address. The part responds to the device address.

MFR_I2C_BASE_ADDRESS Data Contents

| BIT(S) | SYMBOL | OPERATION |
|--------|------------------|--|
| b[7] | Reserved | Read only, always returns 0. |
| b[6:0] | i2c_base_address | This 7-bit value determines the base value of the 7-bit I ² C/SMBus address. See Operation Section: Device Address. |

MFR_SPECIAL_ID

This register contains the manufacturer ID for the LTC2978.

MFR_SPECIAL_ID Data Contents

| BIT(S) | SYMBOL | OPERATION |
|---------|----------------|---|
| b[15:0] | Mfr_special_id | Read only, always returns 0x0122. Previous valid value is 0x0121. |

PMBus COMMAND DESCRIPTION

MFR_SPECIAL_LOT

These paged registers contain information that identifies the user configuration that was programmed at the factory.

MFR_SPECIAL_LOT Data Contents

| BIT(S) | SYMBOL | OPERATION |
|--------|-----------------|--|
| b[7:0] | Mfr_special_lot | Contains the LTC default special lot number. Contact the factory to request a custom factory programmed user configuration and special lot number. |

MFR_VOUT_DISCHARGE_THRESHOLD

This register contains the coefficient that multiplies VOUT_COMMAND in order to determine the OFF threshold voltage for the associated output. If the output voltage has not decayed below MFR_VOUT_DISCHARGE_THRESHOLD • VOUT_COMMAND prior to the channel being commanded to enter/re-enter the ON state, the Status_mfr_discharge bit in the STATUS_MFR_SPECIFIC register will be set and the ALERTB pin will be asserted low. In addition, the channel will not enter the ON state until the output has decayed below its OFF threshold voltage. Setting this to a value greater than 1.0 effectively disables DISCHARGE_THRESHOLD checking, allowing the channel to turn back on even if it has not decayed at all.

Other channels can be held off if a particular output has failed to discharge by using the bidirectional FAULTBzn pins (refer to the MFR_FAULTBzn_RESPONSE and MFR_FAULTBzn_PROPAGATE registers).

MFR_VOUT_DISCHARGE_THRESHOLD Data Contents

| BIT(S) | SYMBOL | OPERATION |
|---------|------------------------------|--|
| b[15:0] | Mfr_vout_discharge_threshold | The data uses the L11 format. Units: Dimensionless, this register contains a coefficient. |

MFR_COMMON

This command returns status information for the share-clock pin (SHARE_CLK) and the write-protect pin (WP).

MFR_COMMON Data Contents

| BIT(S) | SYMBOL | OPERATION |
|--------|--------------------------|---|
| b[7:2] | Reserved | Read only, always returns 0s |
| b[1] | Mfr_common_share_clk | Returns status of share-clock pin 1: Share-clock pin is being held low 0: Share-clock pin is active |
| b[0] | Mfr_common_write_protect | Returns status of write-protect pin 1: Write-protect pin is high 0: Write-protect pin is low |

MFR_SPARE0

This 16-bit wide register can be used to store miscellaneous information. The contents of this register may be stored and recalled from EEPROM using the STORE_USER_ALL and RESTORE_USER_ALL commands, respectively.

MFR_SPARE2

These 16-bit wide, paged registers can be used to store miscellaneous information. The contents of these registers may be stored and recalled from EEPROM using the STORE_USER_ALL and RESTORE_USER_ALL commands, respectively.

2978fd

PMBus COMMAND DESCRIPTION

MFR_VOUT_MIN

This command returns the minimum ADC measured value of the channel's output voltage. This register is reset to 0xFFFF (7.999) when the LTC2978 emerges from power-on reset or when a CLEAR_FAULTS command is executed. When odd channels are configured to measure current, this command is not supported. Updates are disabled when undervoltage detection is disabled, such as when Margin Low (Ignore Faults and Warnings) is enabled.

MFR_VOUT_MIN Data Contents

| BIT(S) | SYMBOL | OPERATION |
|---------|--------------|--|
| b[15:0] | Mfr_vout_min | The data uses the L16 format. Units: V. |

MFR_VIN_MIN

This command returns the minimum ADC measured value of the input voltage. This register is reset to 0x7BFF (approximately 2^{25}) when the LTC2978 emerges from power-on reset or when a CLEAR_FAULTS command is executed. Updates are disabled when unit is off for insufficient input voltage.

MFR_VIN_MIN Data Contents

| BIT(S) | SYMBOL | OPERATION |
|---------|-------------|--|
| b[15:0] | Mfr_vin_min | The data uses the L11 format. Units: V. |

MFR_TEMPERATURE_MIN

This command returns the minimum ADC measured value of junction temperature in °C as determined by the LTC2978's internal temperature sensor. This register is reset to 0x7BFF (approximately 2^{25}) when the LTC2978 emerges from power-on reset or when a CLEAR_FAULTS command is executed.

MFR_TEMPERATURE_MIN Data Contents

| BIT(S) | SYMBOL | OPERATION |
|---------|---------------------|---|
| b[15:0] | Mfr_temperature_min | The data uses the L11 format. Units: °C. |

FAULT LOG OPERATION

A conceptual diagram of the fault log is shown in Figure 13. The fault log provides black box capability to the LTC2978. During normal operation, the contents of the status registers, the output voltage/current readings, temperature readings as well as peak and min values of these quantities are stored in a continuously updated buffer in RAM. You can think of the operation as being similar to a strip chart recorder. When a fault occurs, the contents are written into EEPROM for nonvolatile storage. The EEPROM fault log is then locked. The part can be powered down with the fault log being available for reading at a later time.

PMBus COMMAND DESCRIPTION

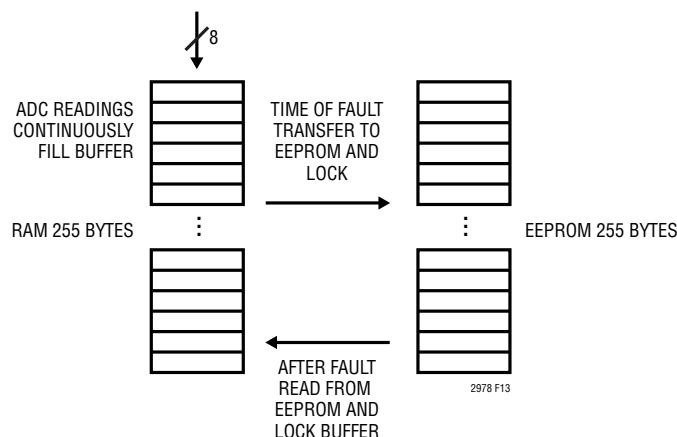


Figure 13. Fault Log Conceptual Diagram

MFR_FAULT_LOG_STORE

This command allows the user to transfer data from the RAM buffer to EEPROM.

MFR_FAULT_LOG_RESTORE

This command allows the user to transfer a copy of the fault-log data from the EEPROM to the RAM buffer. After a restore the RAM buffer is locked until a successful MFR_FAULT_LOG read.

MFR_FAULT_LOG_CLEAR

This command initializes the EEPROM block reserved for fault logging. Any previous fault log stored in EEPROM will be erased by this operation and logging of the fault log RAM to EEPROM will be enabled. Make sure that Mfr_fault_log_status_ram = 0 before issuing the MFR_FAULT_LOG_CLEAR command.

MFR_FAULT_LOG_STATUS

Read only. This register is used to manage fault log events.

Mfr_fault_log_status_eeprom is set after a MFR_FAULT_LOG_STORE command or a faulted-off event triggers a transfer of the fault log from RAM to EEPROM. This bit is cleared by a MFR_FAULT_LOG_CLEAR command.

Mfr_fault_log_status_ram is set after a MFR_FAULT_LOG_RESTORE to indicate that the data in the RAM has been restored from EEPROM and not yet read using a MFR_FAULT_LOG command. This bit is cleared only by a successful execution of an MFR_FAULT_LOG command.

MFR_FAULT_LOG_STATUS Data Contents

| BIT(S) | SYMBOL | OPERATION |
|--------|-----------------------------|--|
| b[1] | Mfr_fault_log_status_ram | Fault log RAM status: 0: The fault log RAM allows updates. 1: The fault log RAM is locked until the next Mfr_fault_log read. |
| b[0] | Mfr_fault_log_status_eeprom | Fault log EEPROM status: 0: The transfer of the fault log RAM to the EEPROM is enabled. 1: The transfer of the fault log RAM to the EEPROM is inhibited. |

2978fd

PMBus COMMAND DESCRIPTION

MFR_FAULT_LOG

Read only. This 2040-bit data block contains a copy of the RAM buffer fault log. The RAM buffer is continuously updated after each ADC conversion as long as Mfr_fault_log_status_ram is clear. With Mfr_config_fault_log_enable = 1 and Mfr_fault_log_status_eeprom = 0, the RAM buffer is transferred to EEPROM whenever an LTC2978 fault causes a channel to latch off or a MFR_FAULT_LOG_STORE command is received. Mfr_fault_log_status_eeprom is set high after the RAM buffer is transferred to EEPROM and not cleared until a MFR_FAULT_LOG_CLEAR is received, even if the LTC2978 is reset or powered down. Fault log EEPROM transfers are not initiated as a result of Status_mfr_discharge events. During a MFR_FAULT_LOG read, data is returned as defined by the following table. The fault log data is partitioned into two sections. The first section is referred to as the preamble and contains the Position-last pointer, time information and peak and minimum values. The second section contains a chronological record of telemetry and requires Position-last for proper interpretation. The fault log stores approximately 0.5 seconds of telemetry. To prevent timeouts during block reads, it is recommended that MFR_CONFIG_ALL_LTC2978 b[1] be set to 1.

Table 2. Data Block Contents

| DATA | BYTE* | DESCRIPTION |
|----------------------|-------|---|
| Position_last[7:0] | 0 | Position of fault log pointer when fault occurred. |
| SharedTime[7:0] | 1 | 41-bit share-clock counter value when fault occurred. Counter LSB is in 200µs increments. This counter is cleared at power-up or after the LTC2978 is reset |
| SharedTime[15:8] | 2 | |
| SharedTime[23:16] | 3 | |
| SharedTime[31:24] | 4 | |
| SharedTime[39:32] | 5 | |
| SharedTime[40] | 6 | |
| Mfr_vout_peak0[7:0] | 7 | |
| Mfr_vout_peak0[15:8] | 8 | |
| Mfr_vout_min0[7:0] | 9 | |
| Mfr_vout_min0[15:8] | 10 | |
| Mfr_vout_peak1[7:0] | 11 | |
| Mfr_vout_peak1[15:8] | 12 | |
| Mfr_vout_min1[7:0] | 13 | |
| Mfr_vout_min1[15:8] | 14 | |
| Mfr_vin_peak[7:0] | 15 | |
| Mfr_vin_peak[15:8] | 16 | |
| Mfr_vin_min[7:0] | 17 | |
| Mfr_vin_min[15:8] | 18 | |
| Mfr_vout_peak2[7:0] | 19 | |
| Mfr_vout_peak2[15:8] | 20 | |
| Mfr_vout_min2[7:0] | 21 | |
| Mfr_vout_min2[15:8] | 22 | |
| Mfr_vout_peak3[7:0] | 23 | |
| Mfr_vout_peak3[15:8] | 24 | |
| Mfr_vout_min3[7:0] | 25 | |
| Mfr_vout_min3[15:8] | 26 | |
| Mfr_temp_peak[7:0] | 27 | |
| Mfr_temp_peak[15:8] | 28 | |
| Mfr_temp_min[7:0] | 29 | |
| Mfr_temp_min[15:8] | 30 | |
| Mfr_vout_peak4[7:0] | 31 | |
| Mfr_vout_peak4[15:8] | 32 | |
| Mfr_vout_min4[7:0] | 33 | |
| Mfr_vout_min4[15:8] | 34 | |
| Mfr_vout_peak5[7:0] | 35 | |
| Mfr_vout_peak5[15:8] | 36 | |
| Mfr_vout_min5[7:0] | 37 | |
| Mfr_vout_min5[15:8] | 38 | |
| Mfr_vout_peak6[7:0] | 39 | |
| Mfr_vout_peak6[15:8] | 40 | |
| Mfr_vout_min6[7:0] | 41 | |
| Mfr_vout_min6[15:8] | 42 | |

PMBus COMMAND DESCRIPTION

Table 2. Data Block Contents

| DATA | BYTE* | DESCRIPTION |
|---------------------------|---------|--------------------------------------|
| Mfr_vout_peak7[7:0] | 43 | |
| Mfr_vout_peak7[15:8] | 44 | |
| Mfr_vout_min7[7:0] | 45 | |
| Mfr_vout_min7[15:8] | 46 | |
| | | 47 bytes for preamble |
| Fault_log [Position_last] | 47 | |
| Fault_log | 48 | |
| . | | |
| . | | |
| . | | |
| Fault_log | 237 | Last Valid Byte |
| Reserved | 238-254 | |
| | | Number of loops (238-47)/40 = 4.8 |

*Note: PMBus data byte numbers start at 1 rather than 0. Position_last is the first byte returned after BYTE COUNT = 0xFF. See block read protocol.

The data returned between bytes 47 and 237 of the previous table is interpreted using Position_last and the following table. The key to identifying byte 47 is to locate the DATA corresponding to POSITION = Position_last in the next table. Subsequent bytes are identified by decrementing the value of POSITION. For example: If Position_last = 9 then the first data returned in byte position 47 of a block read is Read_vin[15:8] followed by Read_vin[7:0] followed by Status_mfr of page 1. See Table 3.

Table 3. Interpreting Cyclical Loop

| POSITION | DATA |
|----------|------------------|
| 0 | Read_vout0[7:0] |
| 1 | Read_vout0[15:8] |
| 2 | Status_vout0 |
| 3 | Status_mfr0 |
| 4 | Read_vout1[7:0] |
| 5 | Read_vout1[15:8] |
| 6 | Status_vout1 |
| 7 | Status_mfr1 |
| 8 | Read_vin[7:0] |
| 9 | Read_vin[15:8] |
| 10 | Status_vin |
| 11 | Reserved |
| 12 | Read_vout2[7:0] |
| 13 | Read_vout2[15:8] |
| 14 | Status_vout2 |
| 15 | Status_mfr2 |
| 16 | Read_vout3[7:0] |

Table 3. Interpreting Cyclical Loop

| POSITION | DATA |
|----------|--------------------------|
| 17 | Read_vout3[15:8] |
| 18 | Status_vout3 |
| 19 | Status_mfr3 |
| 20 | Read_temperature_1[7:0] |
| 21 | Read_temperature_1[15:8] |
| 22 | Status_temp |
| 23 | Reserved |
| 24 | Read_vout4[7:0] |
| 25 | Read_vout4[15:8] |
| 26 | Status_vout4 |
| 27 | Status_mfr4 |
| 28 | Read_vout5[7:0] |
| 29 | Read_vout5[15:8] |
| 30 | Status_vout5 |
| 31 | Status_mfr5 |
| 32 | Read_vout6[7:0] |
| 33 | Read_vout6[15:8] |
| 34 | Status_vout6 |
| 35 | Status_mfr6 |
| 36 | Read_vout7[7:0] |
| 37 | Read_vout7[15:8] |
| 38 | Status_vout7 |
| 39 | Status_mfr7 |
| | Total Bytes =40 |

The following table fully decodes a sample fault log read to help clarify the cyclical nature of the operation.

MFR_FAULT_LOG DATA BLOCK CONTENTS

| PREAMBLE INFORMATION | | | | |
|----------------------|-----------------|--|------------------------|---|
| BYTE NUMBER DECIMAL | BYTE NUMBER HEX | | DATA | DESCRIPTION |
| 0 | 00 | | Position_last[7:0] = 9 | Position of Fault-Log Pointer When Fault Occurred. |
| 1 | 01 | | SharedTime[7:0] | 41-Bit Share-Clock Counter Value When Fault Occurred. Counter LSB Is in 200µs Increments. |
| 2 | 02 | | SharedTime[15:8] | |
| 3 | 03 | | SharedTime[23:16] | |
| 4 | 04 | | SharedTime[31:24] | |

PMBus COMMAND DESCRIPTION

| BYTE NUMBER DECIMAL | BYTE NUMBER HEX | DATA | DESCRIPTION |
|------------------------|--------------------|----------------------|-------------|
| 5 | 05 | SharedTime[39:32] | |
| 6 | 06 | SharedTime[40] | |
| 7 | 07 | Mfr_vout_peak0[7:0] | |
| 8 | 08 | Mfr_vout_peak0[15:8] | |
| 9 | 09 | Mfr_vout_min0[7:0] | |
| 10 | 0A | Mfr_vout_min0[15:8] | |
| 11 | 0B | Mfr_vout_peak1[7:0] | |
| 12 | 0C | Mfr_vout_peak1[15:8] | |
| 13 | 0D | Mfr_vout_min1[7:0] | |
| 14 | 0E | Mfr_vout_min1[15:8] | |
| 15 | 0F | Mfr_vin_peak[7:0] | |
| 16 | 10 | Mfr_vin_peak[15:8] | |
| 17 | 11 | Mfr_vin_min[7:0] | |
| 18 | 12 | Mfr_vin_min[15:8] | |
| 19 | 13 | Mfr_vout_peak2[7:0] | |
| 20 | 14 | Mfr_vout_peak2[15:8] | |
| 21 | 15 | Mfr_vout_min2[7:0] | |
| 22 | 16 | Mfr_vout_min2[15:8] | |
| 23 | 17 | Mfr_vout_peak3[7:0] | |
| 24 | 18 | Mfr_vout_peak3[15:8] | |
| 25 | 19 | Mfr_vout_min3[7:0] | |
| 26 | 1A | Mfr_vout_min3[15:8] | |
| 27 | 1B | Mfr_temp_peak[7:0] | |
| 28 | 1C | Mfr_temp_peak[15:8] | |
| 29 | 1D | Mfr_temp_min[7:0] | |
| 30 | 1E | Mfr_temp_min[15:8] | |
| 31 | 1F | Mfr_vout_peak4[7:0] | |
| 32 | 20 | Mfr_vout_peak4[15:8] | |
| 33 | 21 | Mfr_vout_min4[7:0] | |
| 34 | 22 | Mfr_vout_min4[15:8] | |
| 35 | 23 | Mfr_vout_peak5[7:0] | |
| 36 | 24 | Mfr_vout_peak5[15:8] | |
| 37 | 25 | Mfr_vout_min5[7:0] | |
| 38 | 26 | Mfr_vout_min5[15:8] | |
| 39 | 27 | Mfr_vout_peak6[7:0] | |
| 40 | 28 | Mfr_vout_peak6[15:8] | |
| 41 | 29 | Mfr_vout_min6[7:0] | |
| 42 | 2A | Mfr_vout_min6[15:8] | |
| 43 | 2B | Mfr_vout_peak7[7:0] | |

| BYTE NUMBER DECIMAL | BYTE NUMBER HEX | DATA | DESCRIPTION |
|------------------------|--------------------|----------------------|-----------------|
| 44 | 2C | Mfr_vout_peak7[15:8] | |
| 45 | 2D | Mfr_vout_min7[7:0] | |
| 46 | 2E | Mfr_vout_min7[15:8] | End of Preamble |

CYCLICAL DATA LOOPS

| BYTE NUMBER DECIMAL | BYTE NUMBER HEX | LOOP BYTE NUMBER DECIMAL | DATA LOOP 0 | 40 BYTES PER LOOP |
|------------------------|--------------------|-----------------------------------|------------------|----------------------|
| 47 | 2F | 9 | Read_vin[15:8] | Position_last |
| 48 | 30 | 8 | Read_vin[7:0] | |
| 49 | 31 | 7 | Status_mfr1 | |
| 50 | 32 | 6 | Status_vout1 | |
| 51 | 33 | 5 | Read_vout1[15:8] | |
| 52 | 34 | 4 | Read_vout1[7:0] | |
| 53 | 35 | 3 | Status_mfr0 | |
| 54 | 36 | 2 | Status_vout0 | |
| 55 | 37 | 1 | Read_vout0[15:8] | |
| 56 | 38 | 0 | Read_vout0[7:0] | |

| BYTE NUMBER DECIMAL | BYTE NUMBER HEX | LOOP BYTE NUMBER DECIMAL | DATA LOOP 1 | 40 BYTES PER LOOP |
|------------------------|--------------------|-----------------------------------|------------------|----------------------|
| 57 | 39 | 39 | Status_mfr7 | |
| 58 | 3A | 38 | Status_vout7 | |
| 59 | 3B | 37 | Read_vout7[15:8] | |
| 60 | 3C | 36 | Read_vout7[7:0] | |
| 61 | 3D | 35 | Status_mfr6 | |
| 62 | 3E | 34 | Status_vout6 | |
| 63 | 3F | 33 | Read_vout6[15:8] | |
| 64 | 40 | 32 | Read_vout6[7:0] | |
| 65 | 41 | 31 | Status_mfr5 | |
| 66 | 42 | 30 | Status_vout5 | |
| 67 | 43 | 29 | Read_vout5[15:8] | |
| 68 | 44 | 28 | Read_vout5[7:0] | |
| 69 | 45 | 27 | Status_mfr4 | |
| 70 | 46 | 26 | Status_vout4 | |
| 71 | 47 | 25 | Read_vout4[15:8] | |
| 72 | 48 | 24 | Read_vout4[7:0] | |
| 73 | 49 | 23 | Reserved | |
| 74 | 4A | 22 | Status_temp | |

PMBus COMMAND DESCRIPTION

| BYTE NUMBER DECIMAL | BYTE NUMBER HEX | LOOP BYTE NUMBER DECIMAL | DATA LOOP 1 | 40 BYTES PER LOOP |
|---------------------|-----------------|--------------------------|--------------------------|-------------------|
| 75 | 4B | 21 | Read_temperature_1[15:8] | |
| 76 | 4C | 20 | Read_temperature_1[7:0] | |
| 77 | 4D | 19 | Status_mfr3 | |
| 78 | 4E | 18 | Status_vout3 | |
| 79 | 4F | 17 | Read_vout3[15:8] | |
| 80 | 50 | 16 | Read_vout3[7:0] | |
| 81 | 51 | 15 | Status_mfr2 | |
| 82 | 52 | 14 | Status_vout2 | |
| 83 | 53 | 13 | Read_vout2[15:8] | |
| 84 | 54 | 12 | Read_vout2[7:0] | |
| 85 | 55 | 11 | Reserved | |
| 86 | 56 | 10 | Status_vin | |
| 87 | 57 | 9 | Read_vin[15:8] | |
| 88 | 58 | 8 | Read_vin[7:0] | |
| 89 | 59 | 7 | Status_mfr1 | |
| 90 | 5A | 6 | Status_vout1 | |
| 91 | 5B | 5 | Read_vout1[15:8] | |
| 92 | 5C | 4 | Read_vout1[7:0] | |
| 93 | 5D | 3 | Status_mfr0 | |
| 94 | 5E | 2 | Status_vout0 | |
| 95 | 5F | 1 | Read_vout0[15:8] | |
| 96 | 60 | 0 | Read_vout0[7:0] | |

| BYTE NUMBER DECIMAL | BYTE NUMBER HEX | LOOP BYTE NUMBER DECIMAL | DATA LOOP 2 | 40 BYTES PER LOOP |
|---------------------|-----------------|--------------------------|------------------|-------------------|
| 97 | 61 | 39 | Status_mfr7 | |
| 98 | 62 | 38 | Status_vout7 | |
| 99 | 63 | 37 | Read_vout7[15:8] | |
| 100 | 64 | 36 | Read_vout7[7:0] | |
| 101 | 65 | 35 | Status_mfr6 | |
| 102 | 66 | 34 | Status_vout6 | |
| 103 | 67 | 33 | Read_vout6[15:8] | |
| 104 | 68 | 32 | Read_vout6[7:0] | |
| 105 | 69 | 31 | Status_mfr5 | |
| 106 | 6A | 30 | Status_vout5 | |
| 107 | 6B | 29 | Read_vout5[15:8] | |
| 108 | 6C | 28 | Read_vout5[7:0] | |

| BYTE NUMBER DECIMAL | BYTE NUMBER HEX | LOOP BYTE NUMBER DECIMAL | DATA LOOP 2 | 40 BYTES PER LOOP |
|---------------------|-----------------|--------------------------|--------------------------|-------------------|
| 109 | 6D | 27 | Status_mfr4 | |
| 110 | 6E | 26 | Status_vout4 | |
| 111 | 6F | 25 | Read_vout4[15:8] | |
| 112 | 70 | 24 | Read_vout4[7:0] | |
| 113 | 71 | 23 | Reserved | |
| 114 | 72 | 22 | Status_temp | |
| 115 | 73 | 21 | Read_temperature_1[15:8] | |
| 116 | 74 | 20 | Read_temperature_1[7:0] | |
| 117 | 75 | 19 | Status_mfr3 | |
| 118 | 76 | 18 | Status_vout3 | |
| 119 | 77 | 17 | Read_vout3[15:8] | |
| 120 | 78 | 16 | Read_vout3[7:0] | |
| 121 | 79 | 15 | Status_mfr2 | |
| 122 | 7A | 14 | Status_vout2 | |
| 123 | 7B | 13 | Read_vout2[15:8] | |
| 124 | 7C | 12 | Read_vout2[7:0] | |
| 125 | 7D | 11 | Reserved | |
| 126 | 7E | 10 | Status_vin | |
| 127 | 7F | 9 | Read_vin[15:8] | |
| 128 | 80 | 8 | Read_vin[7:0] | |
| 129 | 81 | 7 | Status_mfr1 | |
| 130 | 82 | 6 | Status_vout1 | |
| 131 | 83 | 5 | Read_vout1[15:8] | |
| 132 | 84 | 4 | Read_vout1[7:0] | |
| 133 | 85 | 3 | Status_mfr0 | |
| 134 | 86 | 2 | Status_vout0 | |
| 135 | 87 | 1 | Read_vout0[15:8] | |
| 136 | 88 | 0 | Read_vout0[7:0] | |

| BYTE NUMBER DECIMAL | BYTE NUMBER HEX | LOOP BYTE NUMBER DECIMAL | DATA LOOP 3 | 40 BYTES PER LOOP |
|---------------------|-----------------|--------------------------|------------------|-------------------|
| 137 | 89 | 39 | Status_mfr7 | |
| 138 | 8A | 38 | Status_vout7 | |
| 139 | 8B | 37 | Read_vout7[15:8] | |
| 140 | 8C | 36 | Read_vout7[7:0] | |
| 141 | 8D | 35 | Status_mfr6 | |

PMBus COMMAND DESCRIPTION

| BYTE NUMBER DECIMAL | BYTE NUMBER HEX | LOOP BYTE NUMBER DECIMAL | DATA LOOP 3 | 40 BYTES PER LOOP |
|------------------------|--------------------|-----------------------------------|--------------------------|----------------------|
| 142 | 8E | 34 | Status_vout6 | |
| 143 | 8F | 33 | Read_vout6[15:8] | |
| 144 | 90 | 32 | Read_vout6[7:0] | |
| 145 | 91 | 31 | Status_mfr5 | |
| 146 | 92 | 30 | Status_vout5 | |
| 147 | 93 | 29 | Read_vout5[15:8] | |
| 148 | 94 | 28 | Read_vout5[7:0] | |
| 149 | 95 | 27 | Status_mfr4 | |
| 150 | 96 | 26 | Status_vout4 | |
| 151 | 97 | 25 | Read_vout4[15:8] | |
| 152 | 98 | 24 | Read_vout4[7:0] | |
| 153 | 99 | 23 | Reserved | |
| 154 | 9A | 22 | Status_temp | |
| 155 | 9B | 21 | Read_temperature_1[15:8] | |
| 156 | 9C | 20 | Read_temperature_1[7:0] | |
| 157 | 9D | 19 | Status_mfr3 | |
| 158 | 9E | 18 | Status_vout3 | |
| 159 | 9F | 17 | Read_vout3[15:8] | |
| 160 | A0 | 16 | Read_vout3[7:0] | |
| 161 | A1 | 15 | Status_mfr2 | |
| 162 | A2 | 14 | Status_vout2 | |
| 163 | A3 | 13 | Read_vout2[15:8] | |
| 164 | A4 | 12 | Read_vout2[7:0] | |
| 165 | A5 | 11 | Reserved | |
| 166 | A6 | 10 | Status_vin | |
| 167 | A7 | 9 | Read_vin[15:8] | |
| 168 | A8 | 8 | Read_vin[7:0] | |
| 169 | A9 | 7 | Status_mfr1 | |
| 170 | AA | 6 | Status_vout1 | |
| 171 | AB | 5 | Read_vout1[15:8] | |
| 172 | AC | 4 | Read_vout1[7:0] | |
| 173 | AD | 3 | Status_mfr0 | |
| 174 | AE | 2 | Status_vout0 | |
| 175 | AF | 1 | Read_vout0[15:8] | |
| 176 | B0 | 0 | Read_vout0[7:0] | |

| BYTE NUMBER DECIMAL | BYTE NUMBER HEX | LOOP BYTE NUMBER DECIMAL | DATA LOOP 4 | 40 BYTES PER LOOP |
|------------------------|--------------------|-----------------------------------|--------------------------|----------------------|
| 177 | B1 | 39 | Status_mfr7 | |
| 178 | B2 | 38 | Status_vout7 | |
| 179 | B3 | 37 | Read_vout7[15:8] | |
| 180 | B4 | 36 | Read_vout7[7:0] | |
| 181 | B5 | 35 | Status_mfr6 | |
| 182 | B6 | 34 | Status_vout6 | |
| 183 | B7 | 33 | Read_vout6[15:8] | |
| 184 | B8 | 32 | Read_vout6[7:0] | |
| 185 | B9 | 31 | Status_mfr5 | |
| 186 | BA | 30 | Status_vout5 | |
| 187 | BB | 29 | Read_vout5[15:8] | |
| 188 | BC | 28 | Read_vout5[7:0] | |
| 189 | BD | 27 | Status_mfr4 | |
| 190 | BE | 26 | Status_vout4 | |
| 191 | BF | 25 | Read_vout4[15:8] | |
| 192 | C0 | 24 | Read_vout4[7:0] | |
| 193 | C1 | 23 | Reserved | |
| 194 | C2 | 22 | Status_temp | |
| 195 | C3 | 21 | Read_temperature_1[15:8] | |
| 196 | C4 | 20 | Read_temperature_1[7:0] | |
| 197 | C5 | 19 | Status_mfr3 | |
| 198 | C6 | 18 | Status_vout3 | |
| 199 | C7 | 17 | Read_vout3[15:8] | |
| 200 | C8 | 16 | Read_vout3[7:0] | |
| 201 | C9 | 15 | Status_mfr2 | |
| 202 | CA | 14 | Status_vout2 | |
| 203 | CB | 13 | Read_vout2[15:8] | |
| 204 | CC | 12 | Read_vout2[7:0] | |
| 205 | CD | 11 | Reserved | |
| 206 | CE | 10 | Status_vin | |
| 207 | CF | 9 | Read_vin[15:8] | |
| 208 | D0 | 8 | Read_vin[7:0] | |
| 209 | D1 | 7 | Status_mfr1 | |
| 210 | D2 | 6 | Status_vout1 | |
| 211 | D3 | 5 | Read_vout1[15:8] | |

PMBus COMMAND DESCRIPTION

| BYTE NUMBER DECIMAL | BYTE NUMBER HEX | LOOP BYTE NUMBER DECIMAL | DATA LOOP 4 | 40 BYTES PER LOOP |
|------------------------|--------------------|-----------------------------------|------------------|----------------------|
| 212 | D4 | 4 | Read_vout1[7:0] | |
| 213 | D5 | 3 | Status_mfr0 | |
| 214 | D6 | 2 | Status_vout0 | |
| 215 | D7 | 1 | Read_vout0[15:8] | |
| 216 | D8 | 0 | Read_vout0[7:0] | |

| BYTE NUMBER DECIMAL | BYTE NUMBER HEX | LOOP BYTE NUMBER DECIMAL | DATA LOOP 5 | 40 BYTES PER LOOP |
|------------------------|--------------------|-----------------------------------|--------------------------|------------------------------|
| 217 | D9 | 39 | Status_mfr7 | |
| 218 | DA | 38 | Status_vout7 | |
| 219 | DB | 37 | Read_vout7[15:8] | |
| 220 | DC | 36 | Read_vout7[7:0] | |
| 221 | DD | 35 | Status_mfr6 | |
| 222 | DE | 34 | Status_vout6 | |
| 223 | DF | 33 | Read_vout6[15:8] | |
| 224 | E0 | 32 | Read_vout6[7:0] | |
| 225 | E1 | 31 | Status_mfr5 | |
| 226 | E2 | 30 | Status_vout5 | |
| 227 | E3 | 29 | Read_vout5[15:8] | |
| 228 | E4 | 28 | Read_vout5[7:0] | |
| 229 | E5 | 27 | Status_mfr4 | |
| 230 | E6 | 26 | Status_vout4 | |
| 231 | E7 | 25 | Read_vout4[15:8] | |
| 232 | E8 | 24 | Read_vout4[7:0] | |
| 233 | E9 | 23 | Reserved | |
| 234 | EA | 22 | Status_temp | |
| 235 | EB | 21 | Read_temperature_1[15:8] | |
| 236 | EC | 20 | Read_temperature_1[7:0] | |
| 237 | ED | 19 | Status_mfr3 | Last Valid Fault Log Byte |

| RESERVED BYTES | | | | |
|----------------|----|--|------|--|
| 238 | EE | | 0x00 | Bytes EE - FE Return 0x00 But Must Be Read |
| 239 | EF | | 0x00 | |
| 240 | F0 | | 0x00 | |
| 241 | F1 | | 0x00 | |
| 242 | F2 | | 0x00 | |
| 243 | F3 | | 0x00 | |
| 244 | F4 | | 0x00 | |
| 245 | F5 | | 0x00 | |
| 246 | F6 | | 0x00 | |
| 247 | F7 | | 0x00 | |
| 248 | F8 | | 0x00 | |
| 249 | F9 | | 0x00 | |
| 250 | FA | | 0x00 | |
| 251 | FB | | 0x00 | |
| 252 | FC | | 0x00 | |
| 253 | FD | | 0x00 | |
| 254 | FE | | 0x00 | |
| | | | | Use One Block Read Command to Read 255 Bytes Total, from 0x00 to 0xFE |

APPLICATIONS INFORMATION

OVERVIEW

The LTC2978 is a power management IC that is capable of sequencing, margining, trimming, supervising output voltage for OV/UV conditions, providing fault management, and voltage read back for eight DC/DC converters. Input voltage and LTC2978 junction temperature read back are also available. Odd numbered channels can be configured to read back sense resistor voltages. Multiple LTC2978s can be synchronized to operate in unison using the SHARE_CLK, FAULTB and CONTROL pins. The LTC2978 utilizes a PMBus compliant interface and command set.

POWERING THE LTC2978

The LTC2978 can be powered two ways. The first method requires that a voltage between 4.5V and 15V be applied to the V_{PWR} pin. See Figure 14. An internal linear regula-

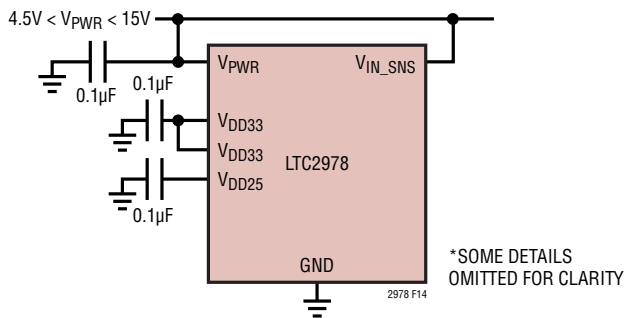


Figure 14. Powering LTC2978 Directly from an Intermediate Bus

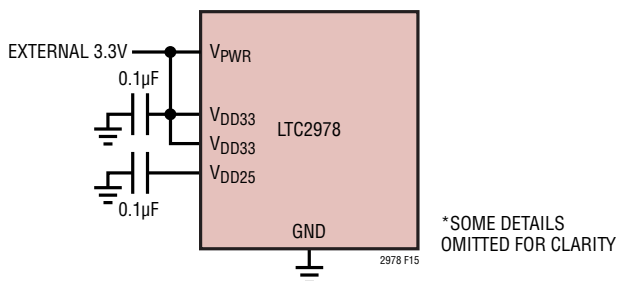


Figure 15. Powering LTC2978 from External 3.3V Supply

tor converts V_{PWR} down to 3.3V which drives all of the internal circuitry of the LTC2978.

Alternatively, power from an external 3.3V supply may be applied directly to the V_{DD33} pins 16 and 17 using a voltage between 3.13V and 3.47V. Tie V_{PWR} to V_{DD33} pins. See Figure 15. All functionality is available when using this alternate power method. The higher voltages needed for the $V_{OUT_EN[0:3]}$ pins and bias for the V_{SENSE} pins are charge pumped from V_{DD33} .

SETTING COMMAND REGISTER VALUES

The command register settings described herein are for the purpose of understanding and software development in a host processor. In actual practice, the LTC2978 can be completely configured for standalone operation with the LTC USB to I²C/SMBus/PMBus controller and software GUI using intuitive menu driven objects.

SEQUENCE, SERVO, MARGIN AND RESTART OPERATIONS

Command Units On or Off

Three control parameters determine how a particular channel is turned on and off. The CONTROL pins, the OPERATION command and the value of the input voltage measured at the V_{IN_SNS} pin (V_{IN}). In all cases, V_{IN} must exceed V_{IN_ON} in order to enable a start. When V_{IN} drops below V_{IN_OFF} an immediate OFF of all channels will result. Refer to the OPERATION section in the data sheet for a detailed description of the ON_OFF_CONFIG command.

Some examples of typical ON/OFF configurations are:

1. A DC/DC converter may be configured to turn on anytime V_{IN} exceeds V_{IN_ON} .
2. A DC/DC converter may be configured to turn on only when it receives an OPERATION command.
3. A DC/DC converter may be configured to turn on only via the CONTROL pin.
4. A DC/DC converter may be configured to turn on only when it receives an OPERATION command and the CONTROL pin is asserted.

APPLICATIONS INFORMATION

On Sequencing

The TON_DELAY command sets the amount of time that a channel will wait following the start of an ON sequence before its V_{OUT_EN} pin will enable a DC/DC converter. Once the DC/DC converter has been enabled, the TON_RISE command determines the amount of time the LTC2978 waits before soft connecting the V_{DACn} output and servoing the DC/DC converter output to $V_{OUT_COMMAND}$. The TON_MAX_FAULT_LIMIT command determines the amount of time after the DC/DC converter has been enabled that an undervoltage condition will be tolerated before a fault occurs. If a TON_MAX_FAULT occurs, the channel can be configured to disable the DC/DC converter and propagate the fault to other channels using the bidirectional FAULTB pins. Figure 16 shows a typical on-sequence using the CONTROL pin.

On State Operation

Once a channel has reached the ON state, the OPERATION command can be used to command the DC/DC converter's output to margin high, margin low, or return to a nominal output voltage indicated by $V_{OUT_COMMAND}$. The user also has the option of configuring a channel to continuously trim the output of the DC/DC converter to the $V_{OUT_COMMAND}$ voltage, or the channel's V_{DACn} output can be placed in a high impedance state thus allowing the DC/DC converter output voltage to go to its nominal value, $V_{DCn(NOM)}$. Refer

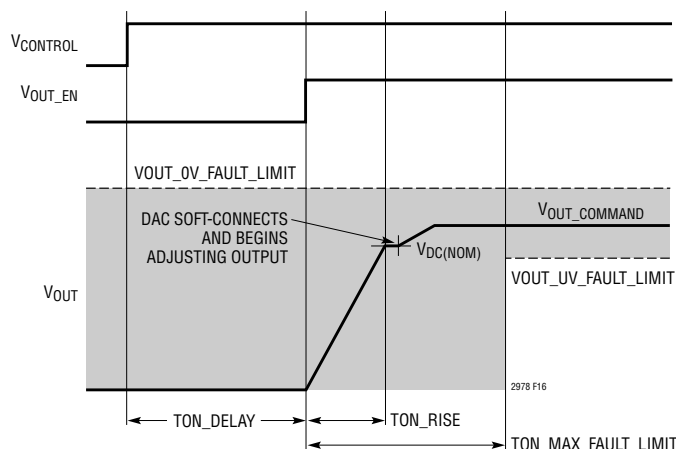


Figure 16. Typical On Sequence Using Control Pin

to the MFR_CONFIG_LTC2978 command for details on how to configure the output voltage servo.

Servo Modes

The ADC, DAC and internal processor comprise a digital servo loop that can be configured to operate in several useful modes. The servo target refers to the desired output voltage.

Continuous/noncontinuous trim mode. MFR_CONFIG_LTC2978 b[7]. In continuous trim mode, the servo will update the DAC in a closed loop fashion each time it takes a V_{OUT} reading. The update rate is determined by the time it takes to step through the ADC MUX which is typically 100ms. See Electrical Characteristics Table Note 6. In noncontinuous trim mode, the servo will drive the DAC until the ADC measures the output voltage desired and then stop updating the DAC.

Noncontinuous servo on warn mode. MFR_CONFIG_LTC2978 b[7] = 0, b[6] = 1. When in noncontinuous mode, the LTC2978 can additionally retrim (reservo) the output if the output drifts beyond the OV or UV warn limits.

DAC Modes

The DACs that drive the V_{DACn} pins can operate in several useful modes. See MFR_CONFIG_LTC2978.

- Soft connect. Using the LTC patented soft connect feature, the DAC output is driven to within 1 LSB of the voltage at the DC/DC's feedback node before connecting to avoid introducing transients on the output. This mode is used when servoing the output voltage. During start-up, the LTC2978 waits until TON_RISE has expired before connecting the DAC. This is the most common operating mode.
- Disconnected. DAC output is high Z.
- DAC manual with soft connect. Non servo mode. The DAC soft connects to the feedback node. The DAC code is driven to match the voltage at the feedback node. After connection, the DAC is moved by writing DAC codes to the device.

APPLICATIONS INFORMATION

- DAC manual with hard connect. Non servo mode. The DAC hard connects to the feedback node at the value in MFR_DAC. After connection, the DAC is moved by writing DAC codes to the device.

Margining

The LTC2978 margins and trims the output of a DC/DC converter by driving current into or out of the feedback node or the trim pin. Preset limits for margining are stored in the VOUT_MARGIN_HIGH/LOW registers. Margining is actuated by writing the appropriate bits to the OPERATION register.

Margining requires the DAC to be connected. Margin requests from a non-global OPERATION command that occur when the DAC is disconnected will force the DAC to soft connect. If a global (PAGE=0xFF) OPERATION command is used to margin, the DACs must already be connected using MFR_CONFIG_LTC2978 commands. When in the margin high/low state, the DAC cannot be disconnected. The DAC can only be disconnected from the ON state.

Off Sequencing

An off sequence is initiated using the CONTROL pin or the OPERATION command. The TOFF_DELAY value determines the amount of time that elapses from the beginning of the off sequence until each channel's VOUT_EN pin is pulled low, disabling its DC/DC converter.

V_{OUT} Off Threshold Voltage

The MFR_VOUT_DISCHARGE_THRESHOLD command register allows the user to specify the OFF threshold that the output voltage must decay below before the channel can enter/re-enter the ON state. The OFF threshold voltage is specified by multiplying MFR_VOUT_DISCHARGE_THRESHOLD and VOUT_COMMAND. In the event that an output voltage has not decayed below its OFF threshold before attempting to enter the ON state, the channel will continue to be held off, the appropriate bit is set in the STATUS_MFR_SPECIFIC register, and the ALERTB pin will be asserted low. When the output voltage has decayed below its OFF threshold, the channel can enter the ON state.

Automatic Restart Via MFR_RESTART_DELAY Command and CONTROLn pin

An automatic restart sequence can be initiated by driving the CONTROL pin to the off state for $>10\mu\text{s}$ then releasing it. The automatic restart disables all VOUT_EN pins that are mapped to a particular CONTROL pin for a time period = MFR_RESTART_DELAY and then starts all DC-DC Converters according to their respective TON_DELAYS. (See Figure 17). VOUT_ENn pins are mapped to one of the CONTROL pins by the MFR_CONFIG_LTC2978 command. This feature allows a host that is about to reset to restart the power in a controlled manner after it has recovered.

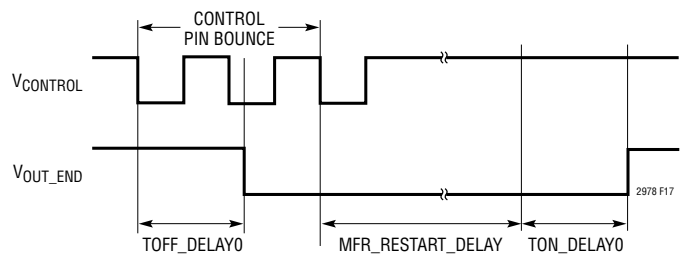


Figure 17. Off Sequence with Automatic Restart

FAULT MANAGEMENT

Output Overvoltage and Undervoltage Faults

The high speed voltage supervisor OV and UV fault thresholds are configured using the VOUT_OV_FAULT_LIMIT and VOUT_UV_FAULT_LIMIT commands, respectively. The VOUT_OV_FAULT_RESPONSE and VOUT_UV_FAULT_RESPONSE commands determine the responses to OV/UV faults. Fault responses can range from disabling the DC/DC converter immediately, waiting to see if the fault condition persists for some interval before disabling the DC/DC converter, or allowing the DC/DC converter to continue operating in spite of the fault. If a DC/DC converter is disabled, the LTC2978 can be configured to retry or latch-off. The retry interval is specified using

APPLICATIONS INFORMATION

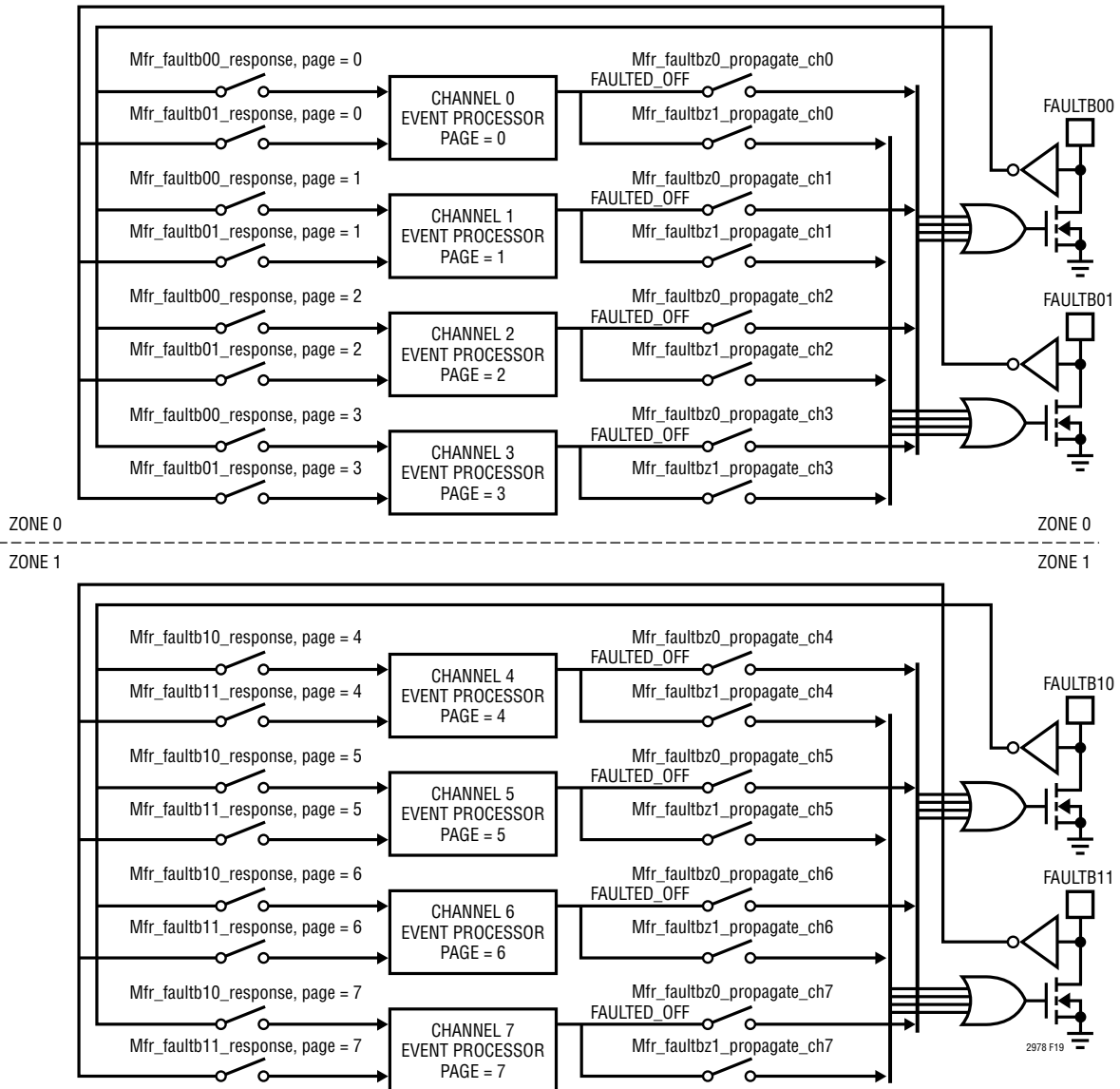


Figure 19. Channel Fault Management Block Diagram

APPLICATIONS INFORMATION

Multichannel Fault Management

Multichannel fault management is handled using the bidirectional FAULTBzn pins. The “z” designates the fault zone which is either 0 or 1. There are two fault zones in the LTC2978. Each zone contains 4-channels. Figure 19 illustrates the connections between channels and the FAULTBzn pins.

- The MFR_FAULTBz0_PROPAGATE command acts like a programmable switch that allows faulted-off conditions from a particular channel (PAGE) to propagate to either FAULTBzn output in that channel’s zone. The MFR_FAULTBzn_RESPONSE command controls similar switches on the inputs to each channel that allow any channel to shut down in response to any combination of the FAULTBzn pins within a zone. Channels responding to a FAULTBzn pin pulling low will attempt a new start sequence when the FAULTBzn pin in question is released by the faulted channel.
- To establish dependencies across fault zones, tie the fault pins together, e.g., FAULTB01 to FAULTB10. Any channel can depend on any other. To disable all channels in response to any channel faulting off, short all the FAULTBzn pins together, and set MFR_FAULTBzn_PROPAGATE = 0x01 and MFR_FAULTBzn_RESPONSE = 0x0F for all channels.

- A FAULTBzn pin can also be asserted low by an external driver in order to initiate an immediate off-sequence after a 10 μ s deglitch delay.

INTERCONNECT BETWEEN MULTIPLE LTC2978’S

Figure 20 shows how to interconnect the pins in a typical multi-LTC2978 array.

- All V_{IN_SNS} lines should be tied together in a star type connection at the point where V_{IN} is to be sensed. This will minimize timing errors for the case where the ON_OFF_CONFIG is configured to start the LTC2978 based on V_{IN} and ignore the CONTROL line and the OPERATION command. In multi-part applications that are sensitive to timing differences, it is recommended that the Vin_share_enable bit of the MFR_CONFIG_ALL_LTC2978 register be set high in order to allow SHARE_CLK to synchronize on/off sequencing in response to the VIN_ON and VIN_OFF thresholds.
- Connecting all V_{IN_EN} lines together will allow selected faults on any DC/DC converter’s output in the array to shut off a common input switch.

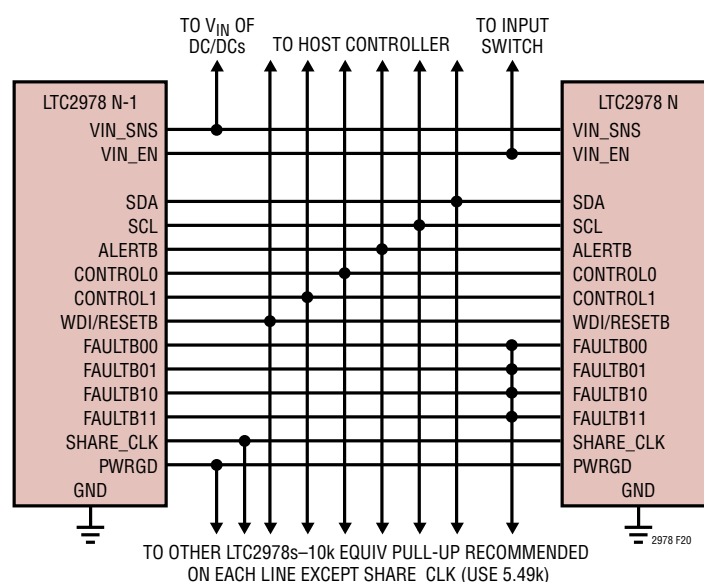


Figure 20. Typical Connections Between Multiple LTC2978s

2978fd

APPLICATIONS INFORMATION

- ALERTB is typically one line in an array of PMBus converters. The LTC2978 allows a rich combination of faults and warnings to be propagated to the ALERTB pin.
 - WDI/RESETB can be used to put the LTC2978 in the power-on reset state. Pull WDI/RESETB low for at least t_{RESETB} to enter this state.
 - The FAULTBzn lines can be connected together to create fault dependencies. Figure 20 shows a configuration where a fault on any FAULTBzn will pull all others low. This is useful for arrays where it is desired to abort a start-up sequence in the event any channel does not come up (see Figure 21).
 - PWRGD reflects the status of the outputs that are mapped to it by the MFR_PWRGD_EN command. Figure 20 shows all the PWRGD pins connected together, but any combination may be used. Note that the latency of the PWRGD pin response may be in the range of 30ms to 185ms depending on ADC MUX settings. See Electrical Characteristics Table Note 6.
- A fast deassertion of PWRGD may be implemented by wire ANDing the V_{IN_EN} pin with the PWRGD pin. If, for example, a UV or OV fault threshold is crossed, V_{IN_EN} will pull low if the associated bit in the MFR_VINEN_UV_FAULT_RESPONSE or MFR_VINEN_OV_FAULT_RESPONSE register is set. See Figure 22.

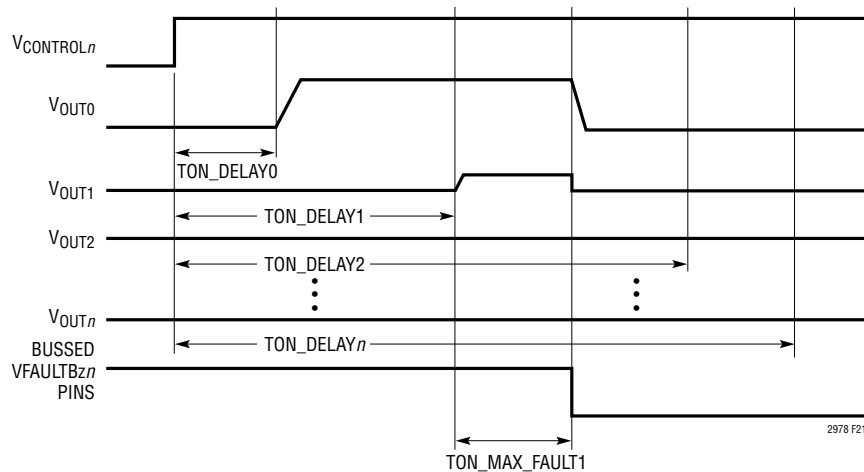


Figure 21. Aborted On Sequence Due to Channel 1 Short

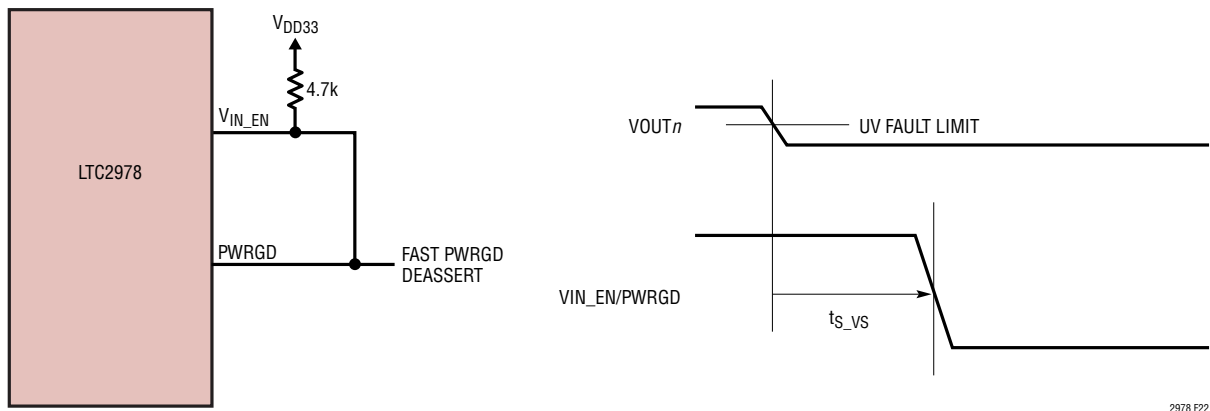


Figure 22. PWRGD Deassert

APPLICATIONS INFORMATION

APPLICATION CIRCUITS

Trimming and Margining DC/DC Converters with External Feedback Resistors

Figure 23 shows a typical application circuit for trimming/margining a power supply with an external feedback network. The $V_{SENSEPO}$ and $V_{SENSEMO}$ differential inputs sense the load voltage directly, and a correction voltage is developed between the V_{DACPO} and V_{DACMO} pins by the closed-loop servo algorithm. V_{DACMO} is Kelvin connected to the point-of-load GND in order to minimize the effects of load induced grounding errors. The V_{DACPO} output is connected to the DC/DC converter's feedback node through resistor R30. For this configuration, set $b[0]$ in $MFR_CONFIG_LTC2978 = 0$.

Four-Step Resistor Selection Procedure for DC/DC Converters with External Feedback Resistors

The following four-step procedure should be used to calculate the resistor values required for the application circuit shown in Figure 23.

1. Assume values for feedback resistor R20 and the nominal DC/DC converter output voltage $V_{DC(NOM)}$, and solve for R10.

$V_{DC(NOM)}$ is the output voltage of the DC/DC converter when the LTC2978's V_{DACPO} pin is in a high impedance state. R10 is a function of R20, $V_{DC(NOM)}$, the voltage at the feedback node (V_{FB}) when the loop is in regulation, and the feedback node's input current (I_{FB}).

$$R10 = \frac{R20 \cdot V_{FB}}{V_{DC(NOM)} - I_{FB} \cdot R20 - V_{FB}} \quad (1)$$

2. Solve for the value of R30 that yields the maximum required DC/DC converter output voltage $V_{DC(MAX)}$.

When V_{DACPO} is at 0V, the output of the DC/DC converter is at its maximum voltage.

$$R30 \leq \frac{R20 \cdot V_{FB}}{V_{DC(MAX)} - V_{DC(NOM)}} \quad (2)$$

3. Solve for the minimum value of V_{DACPO} that is needed to yield the minimum required DC/DC converter output voltage $V_{DC(MIN)}$.

The DAC has two full-scale settings, 1.38V and 2.65V. In order to select the appropriate full-scale setting, calculate the minimum required $V_{DACPO(F/S)}$ output voltage:

$$V_{DACPO(F/S)} > (V_{DC(NOM)} - V_{DC(MIN)}) \cdot \frac{R30}{R20} + V_{FB} \quad (3)$$

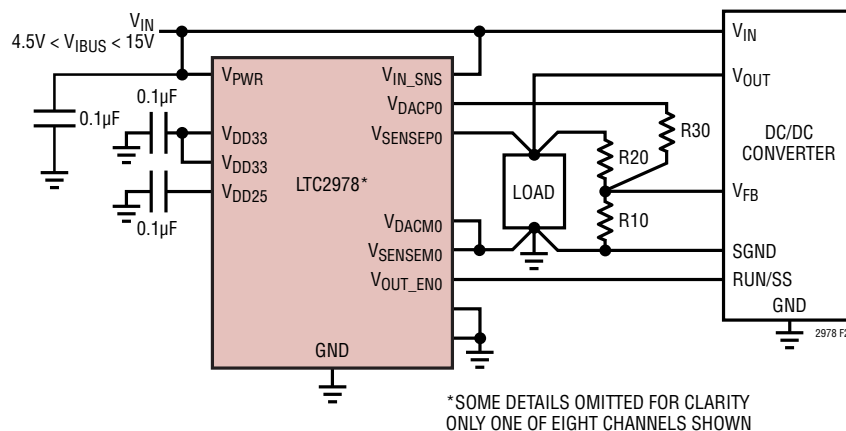


Figure 23. Application Circuit for DC/DC Converters with External Feedback Resistors

APPLICATIONS INFORMATION

4. Recalculate the minimum, nominal, and maximum DC/DC converter output voltages and the resulting margining resolution.

$$V_{DC(NOM)} = V_{FB} \cdot \left(1 + \frac{R_{20}}{R_{10}}\right) + I_{FB} \cdot R_{20} \quad (4)$$

$$V_{DC(MIN)} = V_{DC(NOM)} - \frac{R_{20}}{R_{30}} \cdot (V_{DACP0(F/S)} - V_{FB}) \quad (5)$$

$$V_{DC(MAX)} = V_{DC(NOM)} + \frac{R_{20}}{R_{30}} \cdot V_{FB} \quad (6)$$

$$V_{RES} = \frac{\frac{R_{20}}{R_{30}} \cdot V_{DACP0(F/S)}}{1024} \text{ V/DAC LSB} \quad (7)$$

Trimming and Margining DC/DC Converters with a TRIM Pin

Figure 24 illustrates a typical application circuit for trimming/margining the output voltage of a DC/DC converter with a TRIM Pin. The LTC2978's V_{DACP0} pin connects to the TRIM pin through resistor R30, and the V_{DACM0} pin is connected to the converter's point-of-load ground. For this configuration, set the DAC polarity bit `Mfr_config_dac_pol` in `MFR_CONFIG_LTC2978` to 1.

DC/DC converters with a TRIM pin are typically margined high or low by connecting an external resistor between the TRIM pin and either the V_{SENSEP} or V_{SENSEM} pin. The

relationships between these resistors and the $\Delta\%$ change in the output voltage of the DC/DC converter are typically expressed as:

$$R_{TRIM_DOWN} = \frac{R_{TRIM} \cdot 50}{\Delta_{DOWN}\%} - R_{TRIM} \quad (8)$$

$$R_{TRIM_UP} = R_{TRIM} \cdot \left[\frac{V_{DC} \cdot (100 + \Delta_{UP}\%)}{2 \cdot V_{REF} \cdot \Delta_{UP}\%} - \left(\frac{50}{\Delta_{UP}\%} \right) - 1 \right] \quad (9)$$

where R_{TRIM} is the resistance looking into the TRIM pin, V_{REF} is the TRIM pin's open-circuit output voltage and V_{DC} is the DC/DC converter's nominal output voltage. $\Delta_{UP}\%$ and $\Delta_{DOWN}\%$ denote the percentage change in the converter's output voltage when margining up or down, respectively.

Two-Step Resistor and DAC Full-Scale Voltage Selection Procedure for DC/DC Converters with a TRIM Pin

The following two-step procedure should be used to calculate the resistor value for R30 and the required full-scale DAC voltage (refer to Figure 24).

1. Solve for R30:

$$R_{30} \leq R_{TRIM} \cdot \left(\frac{50 - \Delta_{DOWN}\%}{\Delta_{DOWN}\%} \right) \quad (10)$$

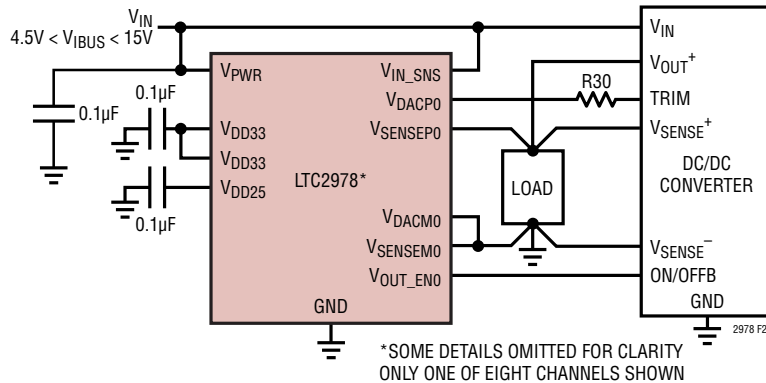


Figure 24. Application Circuit for DC/DC Converters with Trim Pin

APPLICATIONS INFORMATION

2. Calculate the maximum required output voltage for V_{DACP0} :

$$V_{DACP0} \geq \left(1 + \frac{\Delta_{UP}\%}{\Delta_{DOWN}\%} \right) \cdot V_{REF} \quad (11)$$

Note: Not all DC/DC's converters follow these trim equations especially newer bricks. Consult LTC Field Application Engineering.

Measuring Current

Odd numbered ADC channels may be used to measure supply current. Set the ADC to high resolution mode to configure for current measuring and improve sensitivity. Note that no OV or UV faults or warnings are reported in this mode, but telemetry is available from the READ_VOUT command using the 11-bit signed mantissa plus 5-bit signed exponent L11 data format. Set the MFR_CONFIG_LTC2978 bit b[9] = 1 in order to enable high res mode. The V_{OUT_EN} pin will assert low in this mode and cannot be used to control a DC/DC converter. The V_{DACP} output pin is also unavailable.

Measuring Current with a Sense Resistor

A circuit for measuring current with a sense resistor is shown in Figure 25. The balanced filter rejects both common mode and differential mode noise from the output of the DC/DC converter. The filter is placed directly across the sense resistor in series with the DC/DC converter's inductor. Note that the current sense inputs must be limited to less than 6V with respect to ground. Select R_{CM} and C_{CM} such that the filter's corner frequency is $< 1/10$ the DC/DC converter's switching frequency. This will result in a current sense waveform that offers a good compromise between the voltage ripple and the delay through the filter. A value $1k\Omega$ for R_{CM} is suggested in order to minimize gain errors due to the current sense inputs' internal resistance.

Measuring Current with Inductor DCR

Figure 26 shows the circuit for applications that require DCR current sense. A second order RC filter is required in these applications in order to minimize the ripple voltage seen at the current sense inputs. A value of $1k\Omega$ is suggested for R_{CM1} and R_{CM2} in order to minimize gain errors due the current sense inputs' internal resistance. C_{CM1} should be selected to provide cancellation of the zero created by the DCR and inductance, i.e. $C_{CM1} = L/(DCR \cdot R_{CM1})$. C_{CM2} should be selected to provide a second stage corner frequency at $< 1/10$ of the DC/DC converter's switching frequency. In addition, C_{CM2} needs to be much smaller than C_{CM1} in order to prevent significant loading of the filter's first stage.

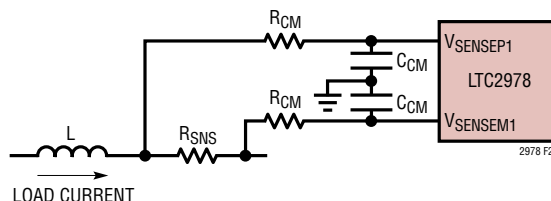


Figure 25. Sense Resistor Current Sensing Circuits

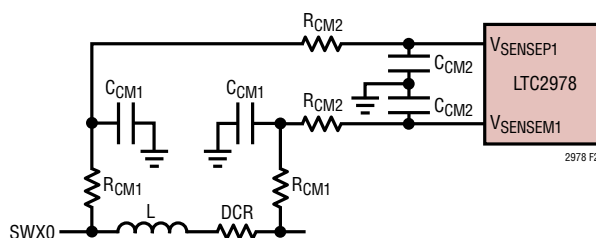


Figure 26. Inductor DCR Current Sensing Circuits

APPLICATIONS INFORMATION

Single Phase Design Example

As a design example for a DCR current sense application, assume $L = 2.2\mu\text{H}$, $\text{DCR} = 10\text{m}\Omega$, and $F_{\text{SW}} = 500\text{kHz}$.

Let $R_{\text{CM}1} = 1\text{k}\Omega$ and solve for $C_{\text{CM}1}$:

$$C_{\text{CM}1} \geq \frac{2.2\mu\text{H}}{10\text{m}\Omega \cdot 1\text{k}\Omega} = 220\text{nF}$$

Let $R_{\text{CM}2} = 1\text{k}\Omega$. In order to get a second pole at $F_{\text{SW}}/10 = 50\text{kHz}$:

$$C_{\text{CM}2} \cong \frac{1}{2\pi \cdot 50\text{kHz} \cdot 1\text{k}\Omega} = 3.18\text{nF}$$

Let $C_{\text{CM}2} = 3.3\text{nF}$. Note that since $C_{\text{CM}2}$ is much less than $C_{\text{CM}1}$ the loading effects of the second stage filter on the matched first stage are not significant. Consequently, the delay time constant through the filter for the current sense waveform will be approximately $3\mu\text{s}$.

Measuring Multiphase Currents

For current sense applications with more than one phase, RC averaging may be employed. Figure 27 shows an example of this approach for a 3-phase system with DCR current sensing. The current sense waveforms are averaged together prior to being applied to the second stage of the filter consisting of $R_{\text{CM}2}$ and $C_{\text{CM}2}$. Because the $R_{\text{CM}1}$ resistors for the three phases are in parallel, the value of $R_{\text{CM}1}$ must be multiplied by the number of phases. Also note that since the DCRs are effectively in parallel, the value for IOUT_CAL_GAIN will be equal to the inductor's DCR divided by the number of phases. Care should be taken in the layout of the multiphase inductors to keep the PCB trace resistance from the DC side of each inductor to the summing node balanced in order to provide the most accurate results.

Multiphase Design Example

Using the same values for inductance and DCR from the previous design example, the value for $R_{\text{CM}1}$ will be $3\text{k}\Omega$ for a three phase DC/DC converter if $C_{\text{CM}1}$ is left at 220nF . Similarly, the value for IOUT_CAL_GAIN will be $\text{DCR}/3 = 3.33\text{m}\Omega$.

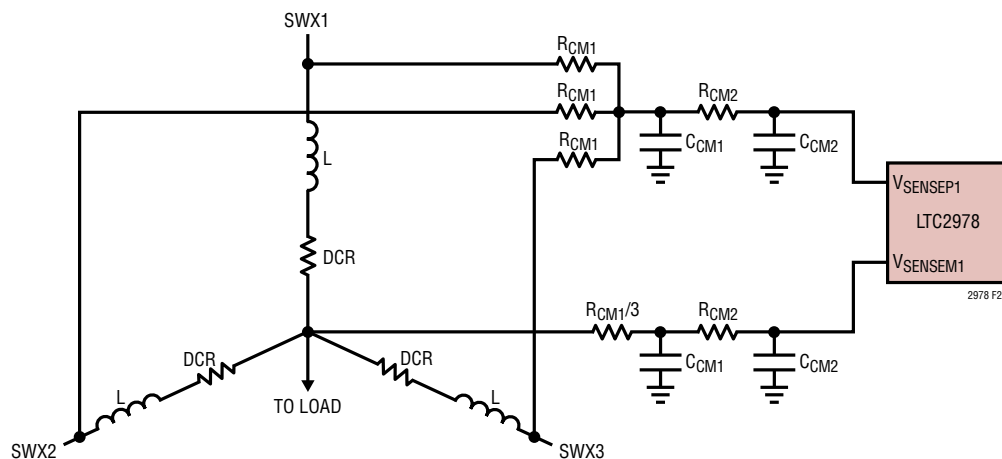


Figure 27. Multiphase DCR Current Sensing Circuits

APPLICATIONS INFORMATION

Anti-aliasing Filter Considerations

Noisy environments require an anti-aliasing filter on the input to the LTC2978's ADC. The R-C circuit shown in Figure 28 is adequate for most situations. Keep $R40 = R50 \leq 200\Omega$ to minimize ADC gain errors, and select a value for capacitors C10 and C20 that does not add too much additional response time to the OV/UV supervisor, e.g. $\tau \cong 10\mu s$ ($R = 100\Omega$, $C = 0.10\mu F$).

Sensing Negative Voltages

Figure 29 shows the LTC2978 sensing a negative power supply (V_{EE}). The R1/R2 resistor divider translates the negative supply voltage to the LTC2978's VSENSE1 input

while the VSENSE1 input is tied to the REFP pin which has a typical output voltage of 1.23V. The voltage divider should be configured in order to present about 0.5V to the voltage sense inputs when the negative supply reaches its POWER_GOOD_ON threshold so that the current flowing out of the VSENSE1 pin is minimized to $\sim 1\mu A$. The relationship between the POWER_GOOD_ON register value and the corresponding negative supply value can be expressed as:

$$V_{EE} = V_{REFP} - (\text{READ_VOUT}) \cdot \left(\frac{R2}{R1} + 1 \right) - 1\mu A \cdot R2$$

Where READ_VOUT returns $V_{SENSE1} - V_{SENSE0}$

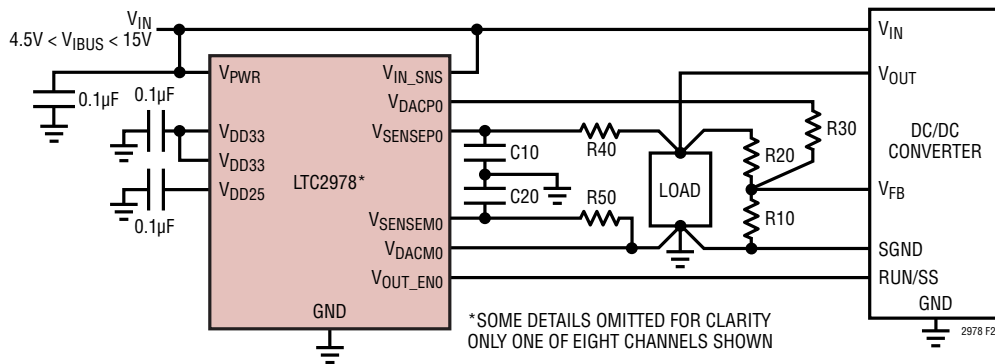


Figure 28. Antialiasing Filter on VSENSE Lines

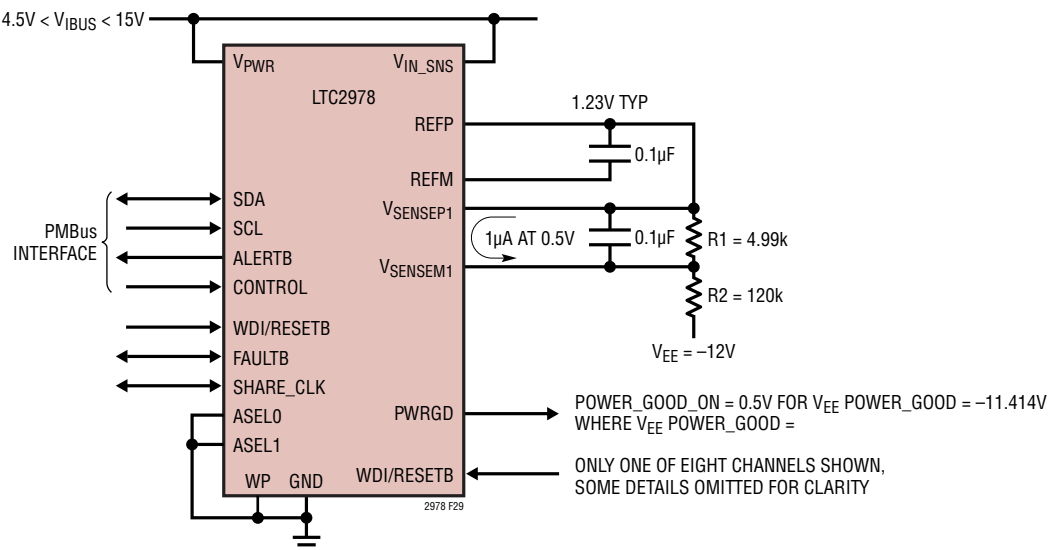


Figure 29. Sensing Negative Voltages

APPLICATIONS INFORMATION

Connecting the USB to I²C/SMBus/PMBus Controller to the LTC2978 in System

The LTC USB to I²C/SMBus/PMBus Controller can be interfaced to LTC2978s on the user's board for programming, telemetry and system debug. The controller, when used in conjunction with LTpowerPlay software, provides a powerful way to debug an entire power system. Failures are quickly diagnosed using telemetry, fault status registers and the fault log. The final configuration can be quickly developed and stored to the LTC2978's EEPROM.

Figures 30 and 31 illustrate application schematics for powering, programming and communicating with one or more LTC2978's via the LTC I²C/SMBus/PMBus controller regardless of whether or not system power is present.

Figure 30 shows the recommended schematic to use when the LTC2978 is powered by the system intermediate bus through its V_{PWR} pin.

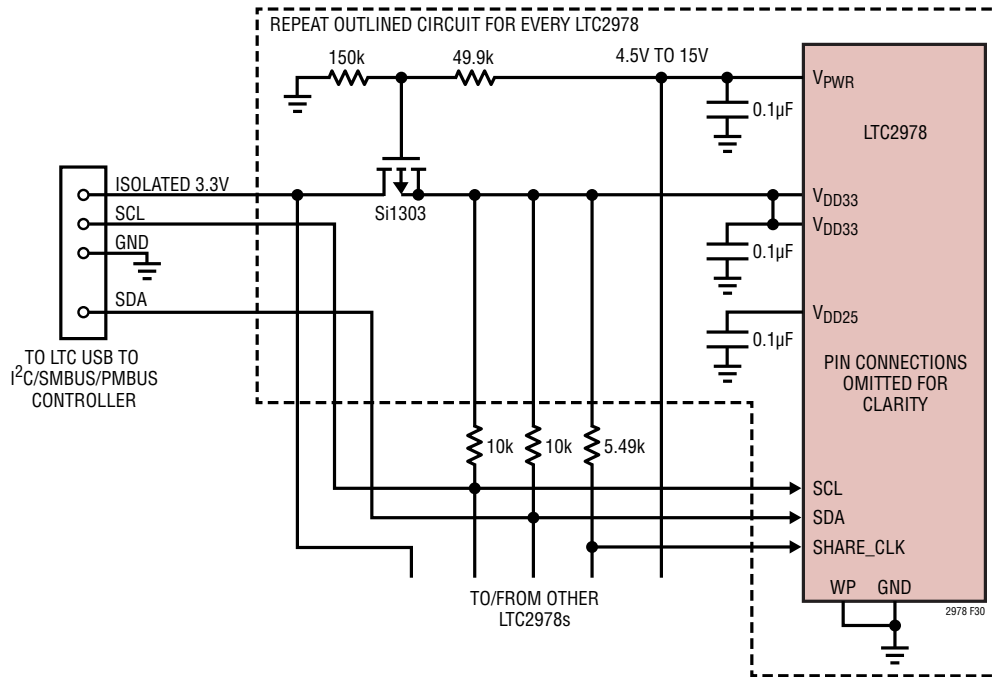


Figure 30. LTC Controller Connections When V_{PWR} is Used

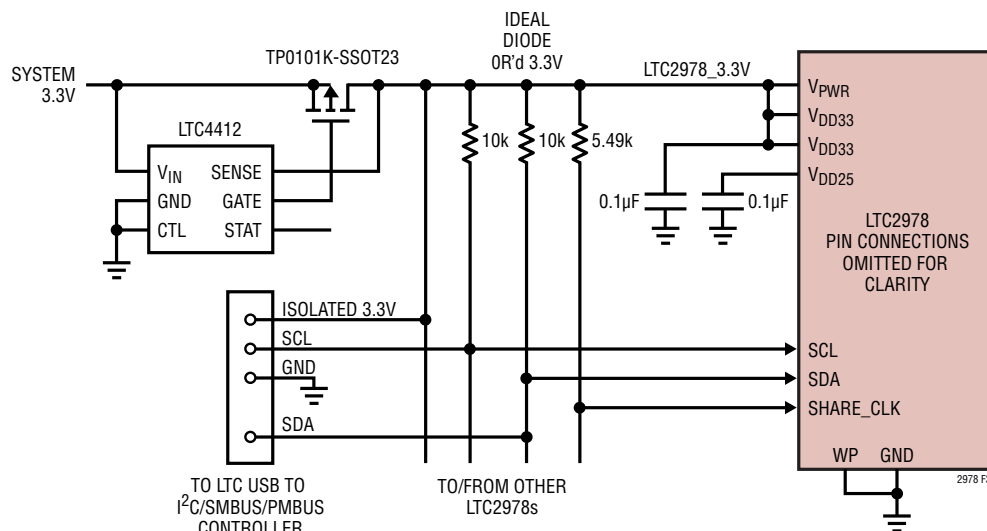
APPLICATIONS INFORMATION

Figure 31 shows the recommended schematic to use when the LTC2978 is powered by the system 3.3V through its V_{DD33} and V_{PWR} pins. The LTC4412 ideal ORing circuit allows either the controller or system to power the LTC2978.

Because of the controller's limited current sourcing capability, only the LTC2978s, their associated pull up resistors and the I²C/SMBus pull-up resistors should be powered from the ORed 3.3V supply. In addition, any device sharing I²C/SMBus bus connections with the LTC2978 should not have body diodes between the SDA/SCL pins and its V_{DD}

node because this will interfere with bus communication in the absence of system power.

The LTC controller's I²C/SMBus connections are opto-isolated from the PC's USB port. The 3.3V supply from the controller and the LTC2978's V_{DD33} pin can be paralleled because the LTC LDOs that generate these voltages can be backdriven and draw <10 μ A. The controller's 3.3V current limit is 100mA.



NOTE: LTC CONTROLLER I²C CONNECTIONS ARE OPTO-ISOLATED
ISOLATED 3.3V FROM CONTROLLER CAN BE BACK DRIVEN AND WILL ONLY DRAW < 10 μ A
ISOLATED 3.3V CURRENT LIMIT = 100mA

Figure 31. LTC Controller Connections When LTC2978 Powered Directly from 3.3V

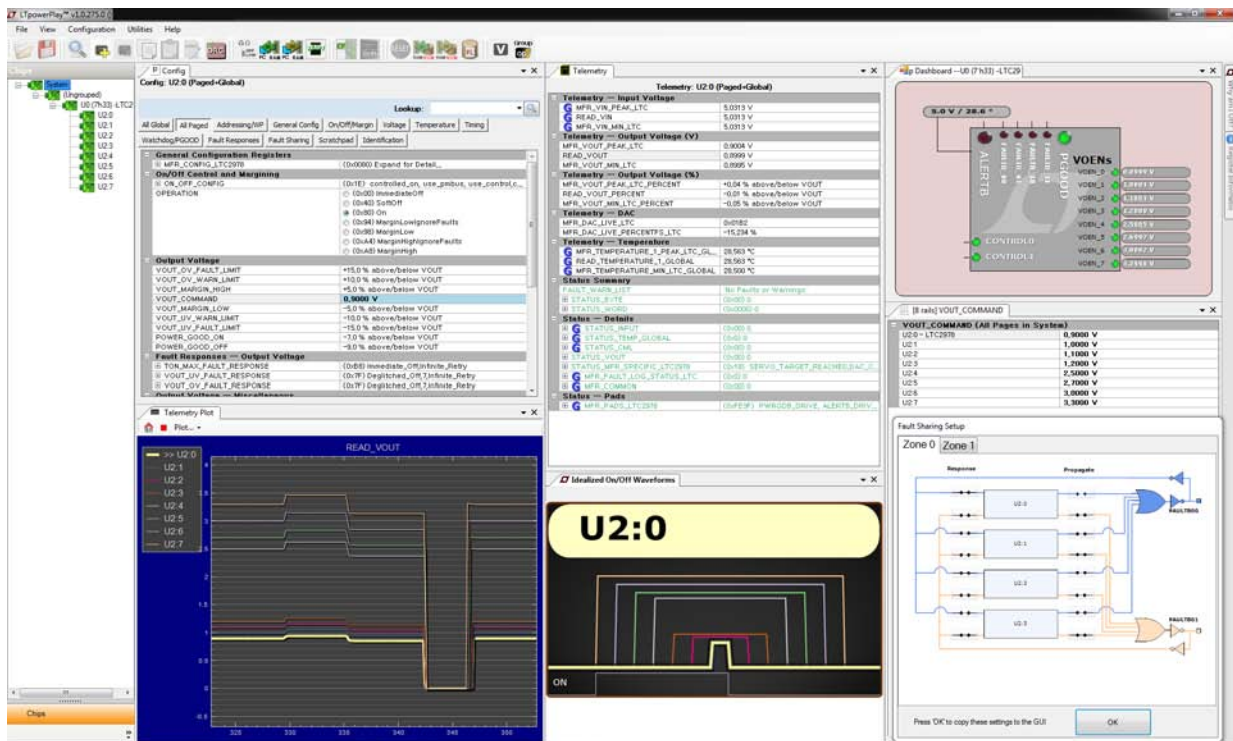
APPLICATIONS INFORMATION

LTpowerPlay: AN INTERACTIVE GUI FOR DIGITAL POWER

LTpowerPlay is a powerful Windows based development environment that supports Linear Technology digital power ICs with EEPROM, including the LTC2978 octal digital power supply manager. The software supports a variety of different tasks. You can use LTpowerPlay to evaluate Linear Technology ICs by connecting to a demo board system. LTpowerPlay can also be used in an offline mode (with no hardware present) in order to build a multi-chip configuration file that can be saved and reloaded at a later time. LTpowerPlay provides unprecedented diagnostic and debug features. It becomes a valuable diagnostic tool

during board bring-up to program or tweak the power management scheme in a system or to diagnose power issues when bringing up rails. LTpowerPlay utilizes Linear Technology's USB-to-I²C/SMBus/PMBus Controller to communicate with one of many potential targets, including the DC1540 demo board set, the DC1508 socketed programming board, or a customer target system. The software also provides an automatic update feature to keep the software current with the latest set of device drivers and documentation. A great deal of context sensitive help is available within LTpowerPlay along with several tutorial demos. Complete information is available at:

www.linear.com/ltpowerplay



APPLICATIONS INFORMATION

PCB ASSEMBLY AND LAYOUT SUGGESTIONS

Bypass Capacitor Placement

The LTC2978 requires 0.1 μ F bypass capacitors between the V_{DD33} pins and GND, the V_{DD25} pin and GND, and the REFP pin and REFM pin. If the chip is being powered from the V_{PWR} input, then that pin should also be bypassed to GND by a 0.1 μ F capacitor. In order to be effective, these capacitors should be made of high quality ceramic dielectric such as X5R or X7R and be placed as close to the chip as possible.

Exposed Pad Stencil Design

The LTC2978's package is thermally and electrically efficient. This is enabled by the exposed die attach pad on the under side of the package which must be soldered down to the PCB or mother board substrate. It is a good practice to minimize the presence of voids within the exposed pad inter-connection. Total elimination of voids is difficult, but the design of the exposed pad stencil is key. Figure 32 shows a suggested screen print pattern.

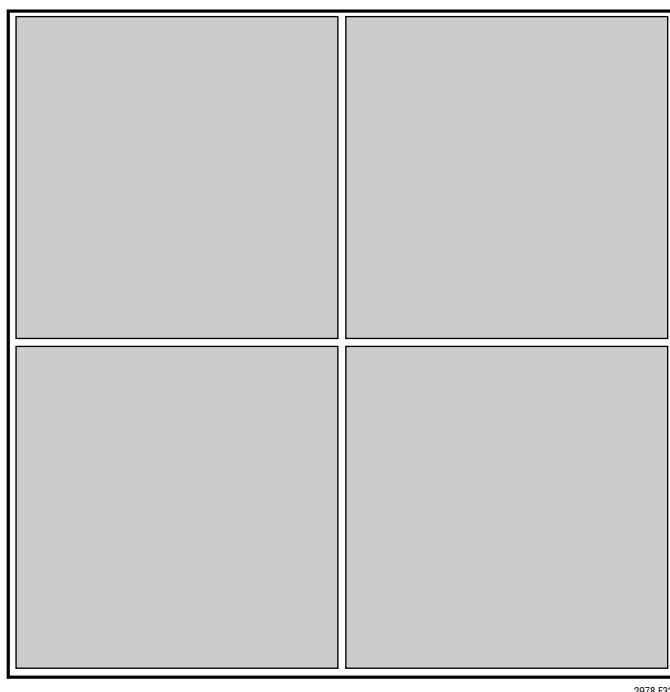


Figure 32. Suggested Screen Pattern for Die Attach Pad

The proposed stencil design enables out-gassing of the solder paste during reflow as well as regulating the finished solder thickness.

PC Board Layout

Mechanical stress on a PC board and soldering-induced stress can cause the LTC2978's reference voltage and voltage drift to shift. A simple way to reduce these stress-related shifts is to mount the IC near the short edge of the PC board, or in a corner. The board edge acts as a stress boundary, or a region where the flexure of the board is minimal.

Unused ADC Sense Inputs

Connect all unused ADC sense inputs ($V_{SENSEPN}$ or $V_{SENSEMn}$) to GND. In a system where the inputs are connected to removable cards and may be left floating in certain situations, connect the inputs to GND using 100k resistors. Place the 100k resistors before any filter components, as shown in Figure 33, to prevent loading of the filter.

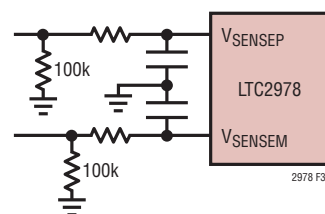
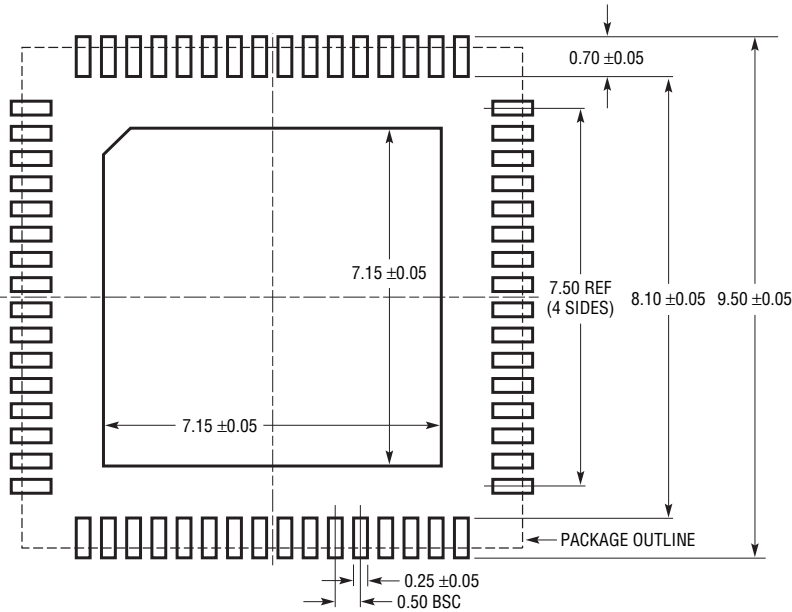


Figure 33. Connecting Unused Inputs to GND

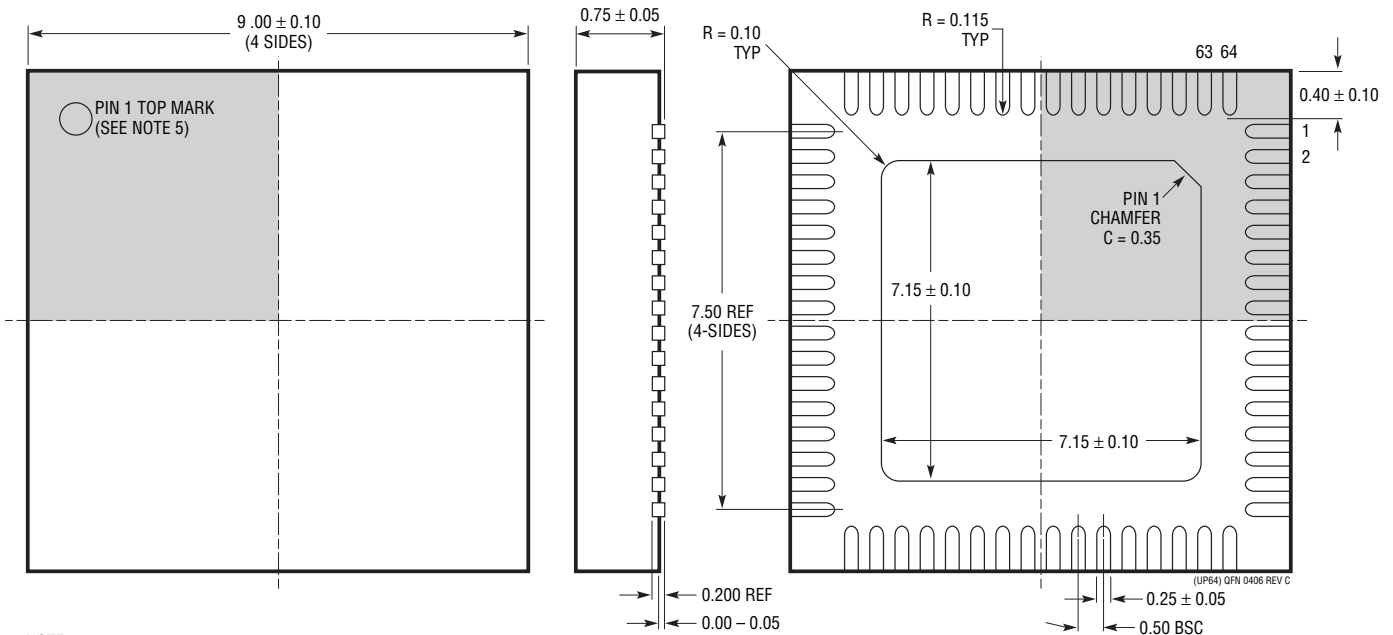
PACKAGE DESCRIPTION

Please refer to <http://www.linear.com/designtools/packaging/> for the most recent package drawings.

UP Package
64-Lead Plastic QFN (9mm × 9mm)
 (Reference LTC DWG # 05-08-1705 Rev C)



RECOMMENDED SOLDER PAD PITCH AND DIMENSIONS
 APPLY SOLDER MASK TO AREAS THAT ARE NOT SOLDERED



BOTTOM VIEW—EXPOSED PAD

- NOTE:
1. DRAWING CONFORMS TO JEDEC PACKAGE OUTLINE MO-220 VARIATION WNRJ-5
 2. ALL DIMENSIONS ARE IN MILLIMETERS
 3. DIMENSIONS OF EXPOSED PAD ON BOTTOM OF PACKAGE DO NOT INCLUDE MOLD FLASH. MOLD FLASH, IF PRESENT, SHALL NOT EXCEED 0.20mm ON ANY SIDE, IF PRESENT
 4. EXPOSED PAD SHALL BE SOLDER PLATED
 5. SHADED AREA IS ONLY A REFERENCE FOR PIN 1 LOCATION ON THE TOP AND BOTTOM OF PACKAGE
 6. DRAWING NOT TO SCALE

REVISION HISTORY (Revision history begins at Rev B)

| REV | DATE | DESCRIPTION | PAGE NUMBER |
|-----|-------|--|-------------|
| B | 10/11 | All sections revised | 1 - 80 |
| C | 3/12 | Change MFR_CONFIG name to MFR_CONFIG_LTC2978 | 19, 23, 42 |
| | | Changed text "data log" to "fault log" under EEPROM Related Commands DATA_LOG Comments | 23 |
| | | Elaborated on ON_OFF_CONFIG command description | 31 |
| | | Added Unused ADC Sense Inputs section | 77 |
| | | Renumbered Figure 33 to Figure 34 | 80 |
| D | 4/13 | Added Not Recommended for New Designs | 1 |
| | | Added REFM pin floating condition to Electrical Characteristics | 5 - 8 |
| | | Added Initialization Time (t_{INIT}) parameter to Electrical Characteristics | 5 |
| | | Added grounding requirement to additional unused pins: 41, 45, 51, 54, 57, 58, 61 | 15 |
| | | Added requirement to MFR_FAULT_LOG_CLEAR command | 55 |
| | | Added DAC requirement if using global OPERATION command to margin | 64 |

TYPICAL APPLICATION

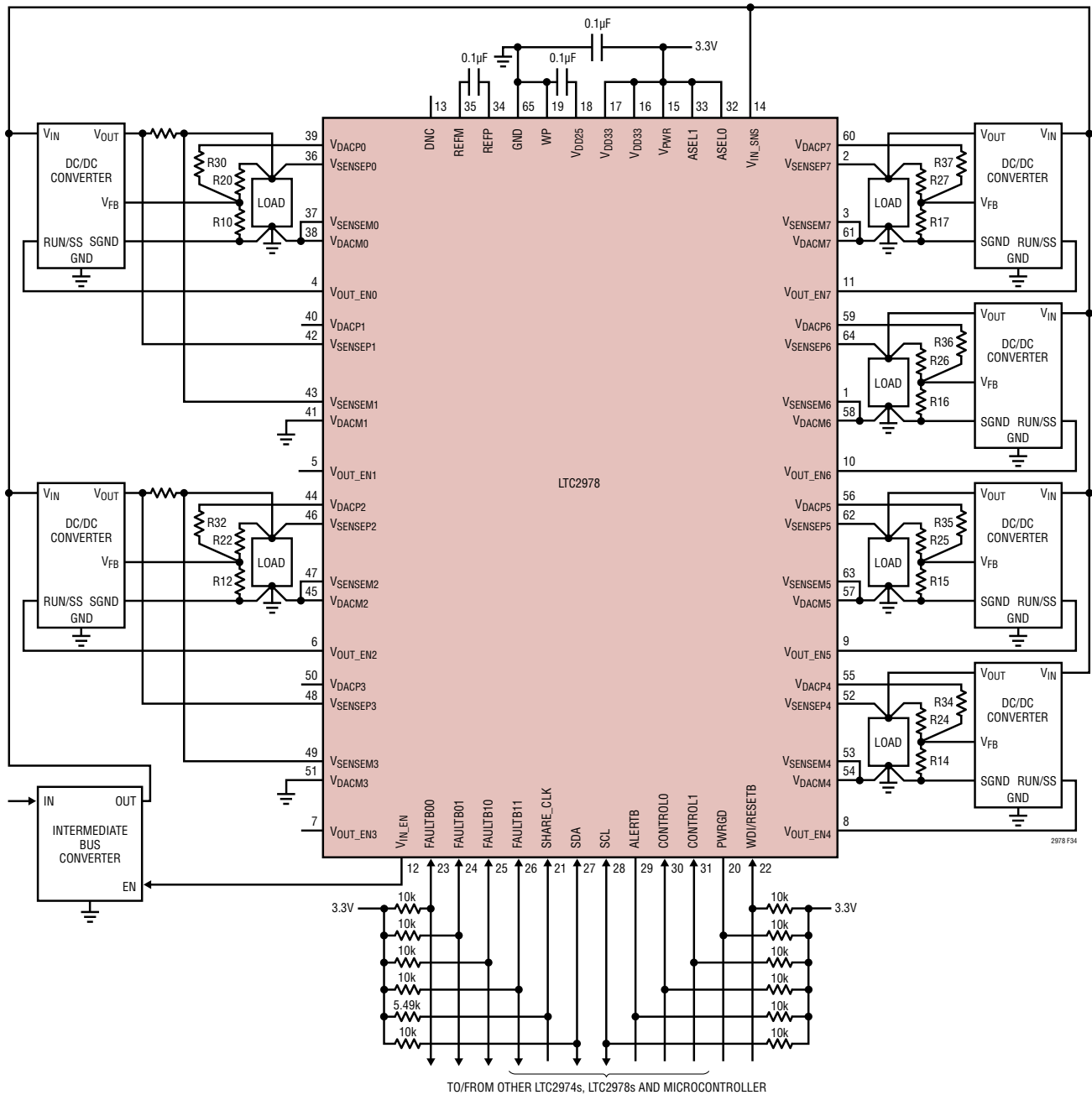


Figure 34. LTC2978 Application Circuit with 3.3V Chip Power

RELATED PARTS

| PART NUMBER | DESCRIPTION | COMMENTS |
|-------------------------|---|--|
| LTC2970 | Dual I ² C Power Supply Monitor and Margining Controller | 5V to 15V, 0.5% TUE 14-Bit ADC, 8-Bit DAC, Temperature Sensor |
| LTC2974 | Quad Digital Power Supply Manager with EEPROM | 0.25% TUE 16-Bit ADC, Voltage/Current/Temperature Monitoring and Supervision |
| LTC3880 | Dual Step-Down Regulator with EEPROM | 0.5% TUE 16-Bit ADC, Voltage/Current/Temperature Monitoring and Supervision |
| LTC3883 | Single Step-Down Regulator with EEPROM | 0.5% TUE 16-Bit ADC, Voltage/Current/Temperature Monitoring and Supervision |

2978fd