

# MPXV6115V, -115 to 0 kPa, Gauge, and Absolute Pressure Sensor

The MPXV6115V series sensor integrates on-chip, bipolar op-amp circuitry and thin film resistor networks to provide a high output signal and temperature compensation. The small form factor and high reliability of on-chip integration make this pressure sensor a logical and economical choice for the system designer.

The MPXV6115V series piezoresistive transducer is a state-of-the-art, monolithic, signal conditioned, silicon pressure sensor. This sensor combines advanced micromachining techniques, thin film metallization, and bipolar semiconductor processing to provide an accurate, high level analog output signal that is proportional to applied pressure.

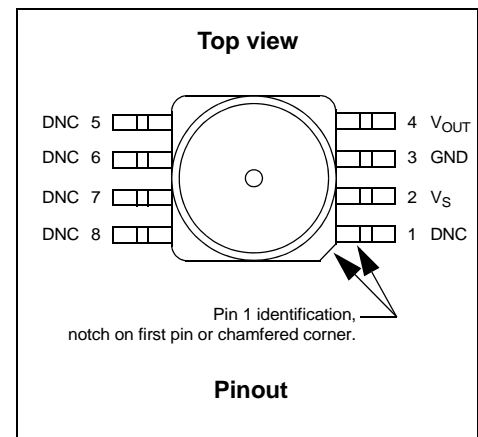
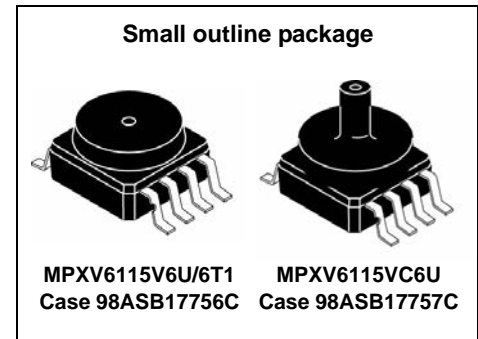
### Features

- Improved accuracy at high temperature
- 1.5% maximum error from 0 to 85 °C
- Ideally suited for microprocessor- or microcontroller-based systems
- Temperature compensated from -40 to +125 °C
- Durable thermoplastic surface mount package

### Typical applications

- Vacuum pump monitoring
- Brake booster monitoring

## MPXV6115V



Ordering information									
Device name	Shipping	Package	# of Ports			Pressure Type			Device Marking
			None	Single	Dual	Gauge	Differential	Absolute	
<b>Small Outline Package</b>									
MPXV6115V6U	Rail	98ASB17756C	•			Vacuum/ Gauge			MPXV6115V
MPXV6115V6T1	Tape and Reel	98ASB17756C	•			Vacuum/ Gauge			MPXV6115V
MPXV6115VC6U	Rail	98ASB17757C		•		Vacuum/ Gauge			MPXV6115V

Freescale reserves the right to change the detail specifications as may be required to permit improvements in the design of its products.

© 2009-2013, 2015 Freescale Semiconductor, Inc. All rights reserved.



## Contents

<b>1</b>	<b>General Description</b> .....	<b>3</b>
1.1	Block diagram .....	3
1.2	Pinout .....	3
<b>2</b>	<b>Mechanical and Electrical Specifications</b> .....	<b>4</b>
2.1	Maximum ratings .....	4
2.2	Operating characteristics .....	4
<b>3</b>	<b>On-chip Temperature Compensation and Calibration</b> .....	<b>5</b>
<b>4</b>	<b>Package Information</b> .....	<b>7</b>
4.1	Minimum recommended footprint for surface mounted applications .....	7
4.2	Package Dimensions .....	8
<b>5</b>	<b>Revision History</b> .....	<b>10</b>

## Related Documentation

The MPXV6115V device features and operations are described in a variety of reference manuals, user guides, and application notes. To find the most-current versions of these documents:

1. Go to the Freescale homepage at:  
<http://www.freescale.com/>
2. In the Keyword search box at the top of the page, enter the device number MPXV6115V.
3. In the Refine Your Result pane on the left, click on the Documentation link.

### MPXV6115V

# 1 General Description

## 1.1 Block diagram

Figure 1 shows a block diagram of the internal circuitry integrated on a pressure sensor chip.

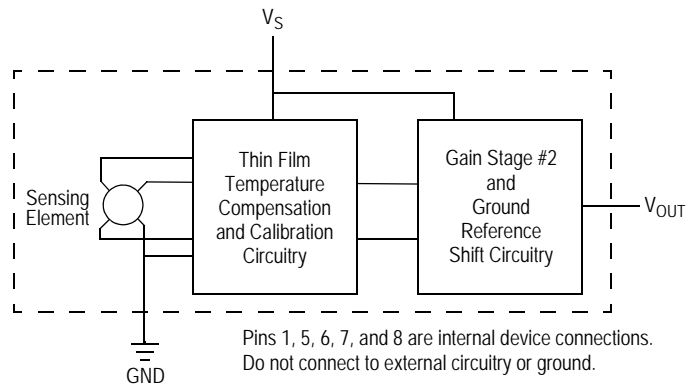


Figure 1. Integrated pressure sensor block diagram

## 1.2 Pinout

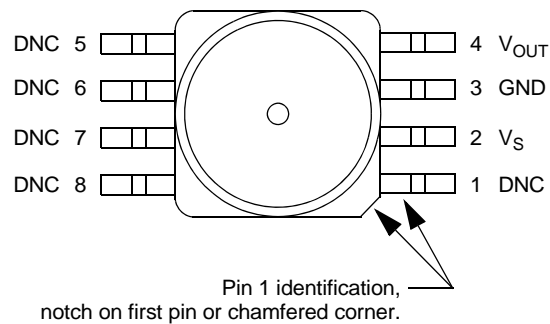


Figure 2. Device pinout (top view)

Table 1. Pin functions

Pin	Name	Function
1	DNC	Do not connect to external circuitry or ground. Pin 1 is notated by the notch in the lead or chamfered corner.
2	$V_S$	Voltage supply
3	GND	Ground
4	$V_{OUT}$	Output voltage
5	DNC	Do not connect to external circuitry or ground.
6	DNC	Do not connect to external circuitry or ground.
7	DNC	Do not connect to external circuitry or ground.
8	DNC	Do not connect to external circuitry or ground.

## 2 Mechanical and Electrical Specifications

### 2.1 Maximum ratings

**Table 2. Maximum ratings<sup>(1)</sup>**

Parametrics	Symbol	Value	Units
Maximum pressure (P1 > P2)	$P_{max}$	400	kPa
Storage temperature	$T_{stg}$	-40 to +125	°C
Operating temperature	$T_A$	-40 to +125	°C
Output source current @ full-scale output <sup>(2)</sup>	$I_{o+}$	0.5	mAdc
Output sink current @ minimum pressure offset <sup>(2)</sup>	$I_{o-}$	-0.5	mAdc

1. Exposure beyond the specified limits may cause permanent damage or degradation to the device.
2. Maximum output current is controlled by effective impedance from  $V_{OUT}$  to GND or  $V_{OUT}$  to  $V_S$  in the application circuit.

### 2.2 Operating characteristics

**Table 3. Operating characteristics** ( $V_S = 5.0 V_{DC}$ ,  $T_A = 25\text{ °C}$  unless otherwise noted, P1 > P2.)

Characteristic	Symbol	Min	Typ	Max	Unit
Pressure range	$P_{OP}$	-115	—	0	kPa
Supply voltage <sup>(1)</sup>	$V_S$	4.75	5.0	5.25	$V_{DC}$
Supply current	$I_o$	—	6.0	10	mAdc
Full-scale output <sup>(2)</sup> (0 to 85 °C), @ $V_S = 5.0$ Volts	$V_{FSO}$	4.534	4.6	4.665	$V_{DC}$
Full-scale span <sup>(3)</sup> (0 to 85 °C), @ $V_S = 5.0$ Volts	$V_{FSS}$	—	4.4	—	$V_{DC}$
Accuracy <sup>(4)</sup> (0 to 85 °C)	—	—	—	±1.5	% $V_{FSS}$
Sensitivity	V/P	—	38.26	—	mV/kPa
Response time <sup>(5)</sup>	$t_R$	—	1.0	—	ms
Warm-up time <sup>(6)</sup>	—	—	20	—	ms
Offset stability <sup>(7)</sup>	—	—	±0.5	—	% $V_{FSS}$

1. Device is ratiometric within this specified excitation range.
2. Full-scale output ( $V_{FSO}$ ) is defined as the output voltage at the maximum or full rated pressure.
3. Full-scale span ( $V_{FSS}$ ) is defined as the algebraic difference between the output voltage at full rated pressure and the output voltage at the minimum rated pressure.
4. Accuracy is the deviation in actual output from nominal output over the entire pressure range and temperature range as a percent of span at 25 °C due to all sources of error including the following:
  - Linearity: Output deviation from a straight line relationship with pressure over the specified pressure range.
  - Temperature hysteresis: Output deviation at any temperature within the operating temperature range, after the temperature is cycled to and from the minimum or maximum operating temperature points, with zero differential pressure applied.
  - Pressure hysteresis: Output deviation at any pressure within the specified range, when this pressure is cycled to and from minimum or maximum rated pressure at 25 °C
  - TcSpan: Output deviation over the temperature range of 0 to 85 °C, relative to 25 °C.
  - TcOffset: Output deviation with minimum pressure applied, over the temperature range of 0 to 85 °C, relative to 25 °C.
5. Response time is defined as the time for the incremental change in the output to go from 10% to 90% of its final value when subjected to a specified step change in pressure.
6. Warm-up time is defined as the time required for the product to meet the specified output voltage after the pressure has been stabilized.
7. Offset stability is the product's output deviation when subjected to 1000 cycles of Pulsed Pressure, Temperature Cycling with Bias Test.

### 3 On-chip Temperature Compensation and Calibration

Figure 3 illustrates the absolute sensing chip in the basic small outline chip carrier (SO8).

Figure 4 shows a typical application circuit (output source current operation).

Figure 5 shows the sensor output signal relative to pressure input. Typical minimum and maximum output curves are shown for operation over 0 to 85 °C temperature range. The output will saturate outside of the rated pressure range.

A fluorosilicone gel isolates the die surface and wire bonds from the environment, while allowing the pressure signal to be transmitted to the silicon diaphragm. The MPXV6115V series pressure sensor operating characteristics, internal reliability and qualification tests are based on use of dry air as the pressure media. Media other than dry air may have adverse effects on sensor performance and long-term reliability. Contact the factory for information regarding media compatibility in your application.

The MPXV6115V is optimized to perform in vacuum pressures applied to port P1. The sensor is calibrated and temperature compensated to give a positive electrical output upon measuring a vacuum pressure up to the rated pressure of up to -115 kPa where the output will be the full-scale voltage listed in Table 3.

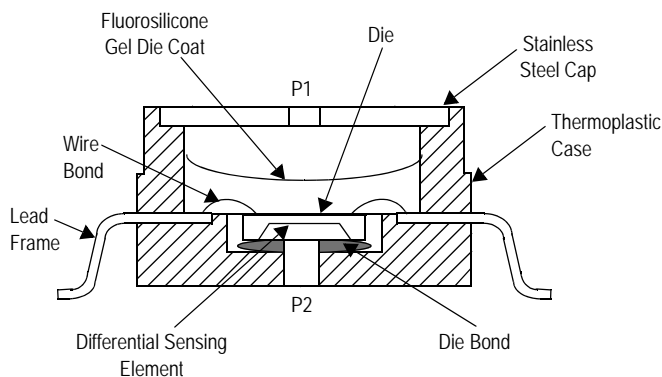


Figure 3. Cross-sectional diagram (not-to-scale)

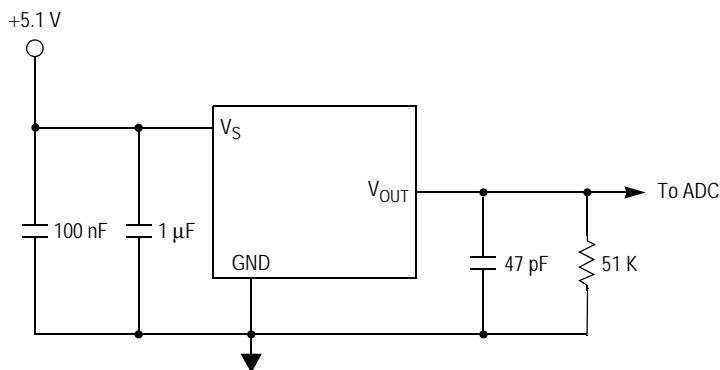
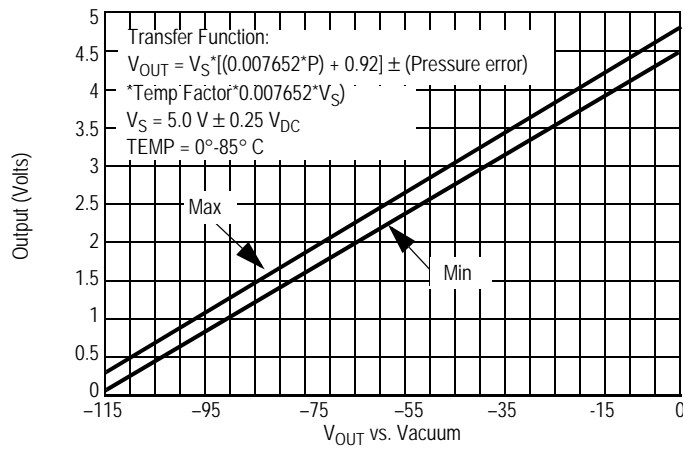


Figure 4. Typical application circuit (output source current operation)



**Figure 5. Output vs. Absolute Pressure**

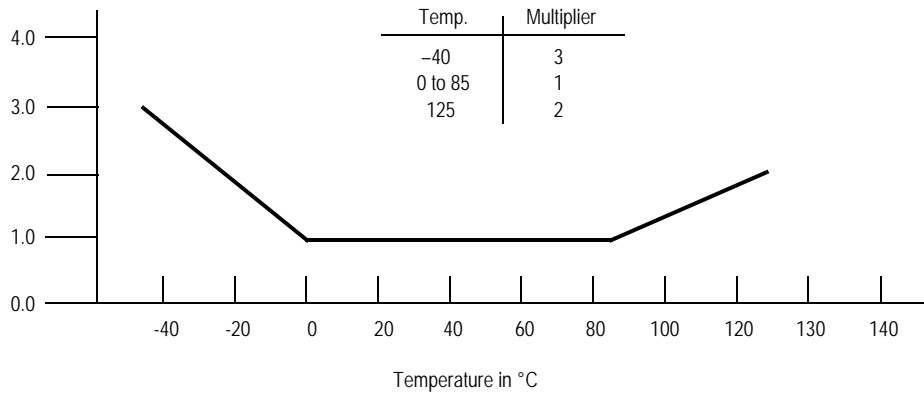
**Nominal Transfer Value:**

$$V_{OUT} = V_S \times (0.007652 \times P + 0.92)$$

$$\pm (\text{Pressure Error} \times \text{Temp. Factor} \times 0.007652 \times V_S)$$

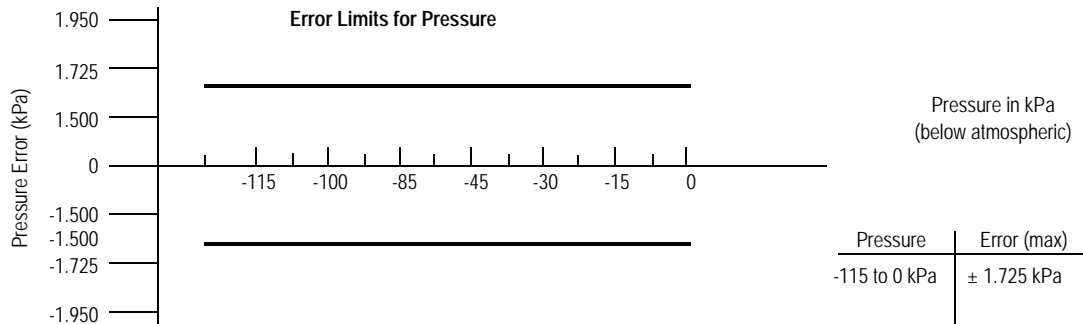
$$V_S = 5.0 \pm 0.25 V_{DC}$$

**Figure 6. Transfer function**



NOTE: The temperature multiplier is a linear response from 0 to -40 °C and from 85 to 125 °C.

**Figure 7. Temperature error band**

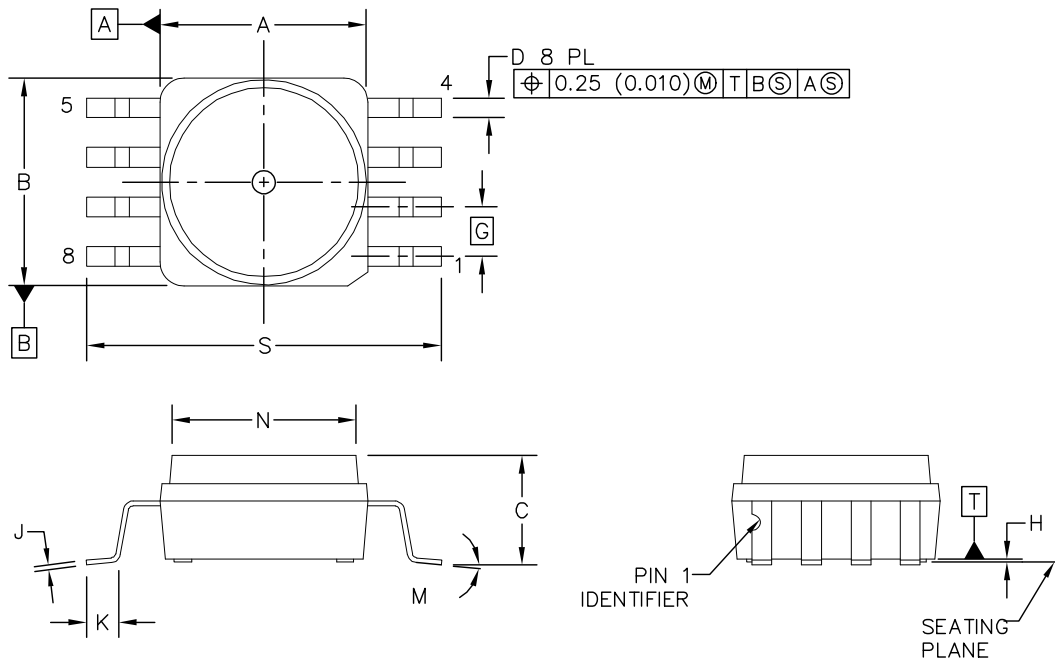


**Figure 8. Pressure error band**



## 4.2 Package Dimensions

This drawing is located at [http://cache.freescale.com/files/shared/doc/package\\_info/98ASB17756C.pdf](http://cache.freescale.com/files/shared/doc/package_info/98ASB17756C.pdf).



DIM	MILLIMETERS		INCHES	
	MIN	MAX	MIN	MAX
A	10.54	10.79	0.415	0.425
B	10.54	10.79	0.415	0.425
C	5.38	5.84	0.212	0.230
D	0.96	1.07	0.038	0.042
G	2.54 BSC		0.100 BSC	
H	0.05	0.25	0.002	0.010
J	0.23	0.28	0.009	0.011
K	1.55	1.80	0.061	0.071
M	0°	7°	0°	7°
N	10.29	10.54	0.405	0.415
S	18.01	18.41	0.709	0.725

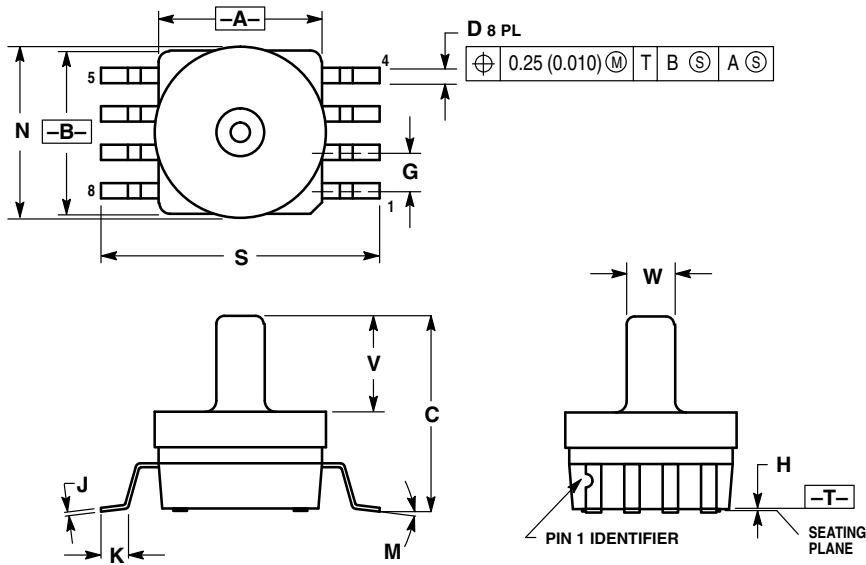
### NOTES:

1. DIMENSIONING AND TOLERANCING PER ASME Y14.5M, 1994
2. CONTROLLING DIMENSION: INCH.
3. DIMENSION "A" AND "B" DO NOT INCLUDE MOLD PROTRUSION.
4. MAXIMUM MOLD PROTRUSION 0.15 (0.006).
5. ALL VERTICAL SURFACES 5° TYPICAL DRAFT.

© FREESCALE SEMICONDUCTOR, INC. ALL RIGHTS RESERVED.	MECHANICAL OUTLINE	PRINT VERSION NOT TO SCALE
TITLE:  8 LD SENSOR SOP	DOCUMENT NO: 98ASB17756C STANDARD: NON-JEDEC	REV: A  10 JAN 2013

### Case 98ASB17756C, small outline package, surface mount





- NOTES:
1. DIMENSIONING AND TOLERANCING PER ANSI Y14.5M, 1982.
  2. CONTROLLING DIMENSION: INCH.
  3. DIMENSION A AND B DO NOT INCLUDE MOLD PROTRUSION.
  4. MAXIMUM MOLD PROTRUSION 0.15 (0.006).
  5. ALL VERTICAL SURFACES 5° TYPICAL DRAFT.

DIM	INCHES		MILLIMETERS	
	MIN	MAX	MIN	MAX
A	0.415	0.425	10.54	10.79
B	0.415	0.425	10.54	10.79
C	0.500	0.520	12.70	13.21
D	0.038	0.042	0.96	1.07
G	0.100 BSC		2.54 BSC	
H	0.002	0.010	0.05	0.25
J	0.009	0.011	0.23	0.28
K	0.061	0.071	1.55	1.80
M	0°	7°	0°	7°
N	0.444	0.448	11.28	11.38
S	0.709	0.725	18.01	18.41
V	0.245	0.255	6.22	6.48
W	0.115	0.125	2.92	3.17

Case 98ASB17757C, small outline package, through-hole



## 5 Revision History

Table 4. Revision history

Revision number	Revision date	Description of changes
2	10/2012	<ul style="list-style-type: none"><li>• Added devices MPXB611V6U and MPX6115V6T1 and corresponding package, 482.</li></ul>
3	01/2013	<ul style="list-style-type: none"><li>• Corrected psi range on page 1, device description box</li></ul>
4.0	09/2015	<ul style="list-style-type: none"><li>• Updated format.</li><li>• Corrected figure 4.</li><li>• Added vacuum pressure information to section 3.</li><li>• Updated case outline 98ASB17756C with current version.</li><li>• Deleted obsolete device MPXV6115VC6T1.</li></ul>



**How to Reach Us:**

**Home Page:**

freescale.com

**Web Support:**

freescale.com/support

Information in this document is provided solely to enable system and software implementers to use Freescale products. There are no express or implied copyright licenses granted hereunder to design or fabricate any integrated circuits based on the information in this document.

Freescale reserves the right to make changes without further notice to any products herein. Freescale makes no warranty, representation, or guarantee regarding the suitability of its products for any particular purpose, nor does Freescale assume any liability arising out of the application or use of any product or circuit, and specifically disclaims any and all liability, including without limitation consequential or incidental damages. "Typical" parameters that may be provided in Freescale data sheets and/or specifications can and do vary in different applications, and actual performance may vary over time. All operating parameters, including "typicals," must be validated for each customer application by customer's technical experts. Freescale does not convey any license under its patent rights nor the rights of others. Freescale sells products pursuant to standard terms and conditions of sale, which can be found at the following address: [freescale.com/salestermsandconditions](http://freescale.com/salestermsandconditions).

Freescale and the Freescale logo are trademarks of Freescale Semiconductor, Inc., Reg. U.S. Pat. & Tm. Off. All other product or service names are the property of their respective owners.

© 2009-2013, 2015 Freescale Semiconductor, Inc.