

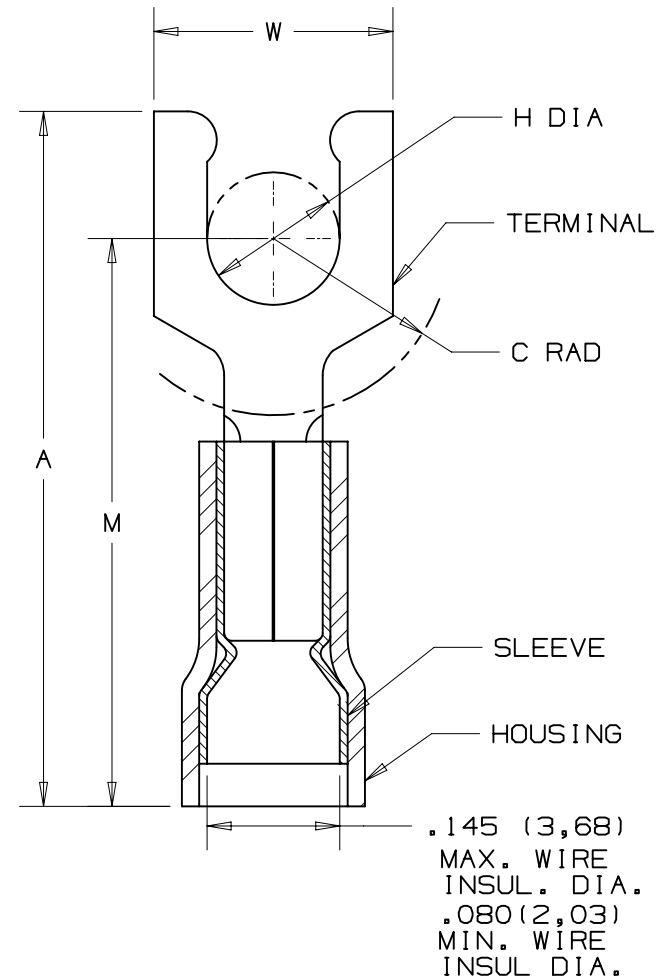
THIS COPY IS PROVIDED ON A RESTRICTED BASIS AND IS NOT TO BE USED IN ANY WAY DETRIMENTAL TO THE INTERESTS OF PANDUIT CORP.

PANDUIT PART NUMBER	STUD SIZE	DIMENSIONS - in.					TOOLS
		A ± .03	W ± .01	C ± .02	M ± .03	H ± .01	
PNF18-6LFW	#6	.85 (21.6)	.29 (7.4)	.20 (5.1)	.63 (16.0)	.15 (3.8)	CT-100A *CT-160 *CT-260 **CT-400 CT-600-A (CT-500CH) CT-600-A (CT-550CH) CT-1550 CT-1551 CT-2500 (CT-2550CH)
PNF18-6LF	#6	.82 (20.8)	.27 (6.9)	.20 (5.1)	.63 (16.0)	.15 (3.8)	
PNF18-8LF	#8	.89 (22.6)	.29 (7.4)	.26 (6.6)	.68 (17.3)	.16 (4.1)	
PNF18-10LF	#10	.89 (22.6)	.33 (8.4)	.25 (6.4)	.68 (17.3)	.19 (4.8)	

** UL LISTED ONLY
 *PANDUIT APPROVED TOOL

NOTES:

- UL LISTED AND CSA CERTIFIED FOR:
 - A. 600V MAX. BLDG WIRE
 - 1000V MAX. IN SIGNS, FIXTURES & LUMINARIES
 - B. 221° F (105° C) MAX TEMP. RATING
 - C. #22-18 AWG SOLID OR STRANDED, COPPER WIRE
- SEE WWW.PANDUIT.COM FOR PACKAGE QUANTITIES
- MATERIAL:
 - A. STAMPING - .032" [.81] THK COPPER, TIN PLATED
 - B. HOUSING - NYLON, RED
 - C. SLEEVE - BRASS, TIN PLATED
- DIMENSIONS IN BRACKETS ARE IN MILLIMETERS
- WIRE STRIP LENGTH: $7/32 + 1/32$ (5.6 + .8)
 $- 0$ - 0



#22-18 LOCKING FORK NYLON INSUL FUNNEL WIRE ENTRY .145 [3.68] MAX WIRE INSUL DIA. CUSTOMER DRAWING							
ITEM REVISION NAME N41056BA/07							
DATASET FILE NAME N41056BA/07							
UNLESS OTHERWISE SPECIFIED, DIMENSIONAL TOLERANCES ARE: IN [mm]	MATERIAL: SEE NOTES						
.X ± .XXX ± .XX ± ANGLES ± THIRD ANGLE PROJECTION	DRAWING NUMBER: A41056						
DRAWN BY: DRL	DATE: LA						
SCALE: NONE	SHT 1 OF 1						
REV	DATE	BY	CHK	APR	DESCRIPTION	ECN	SIZE: A

D101000A/16