

5

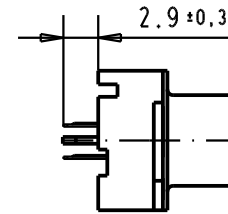
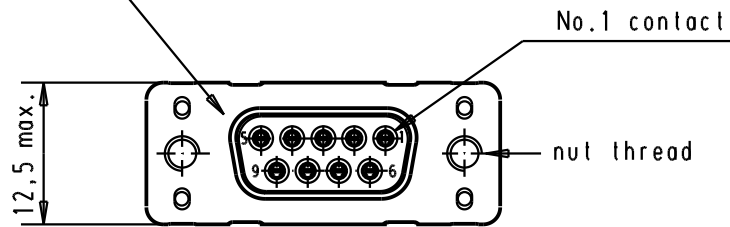
4

3

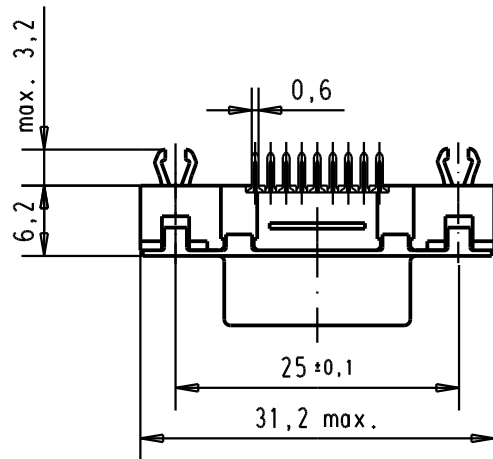
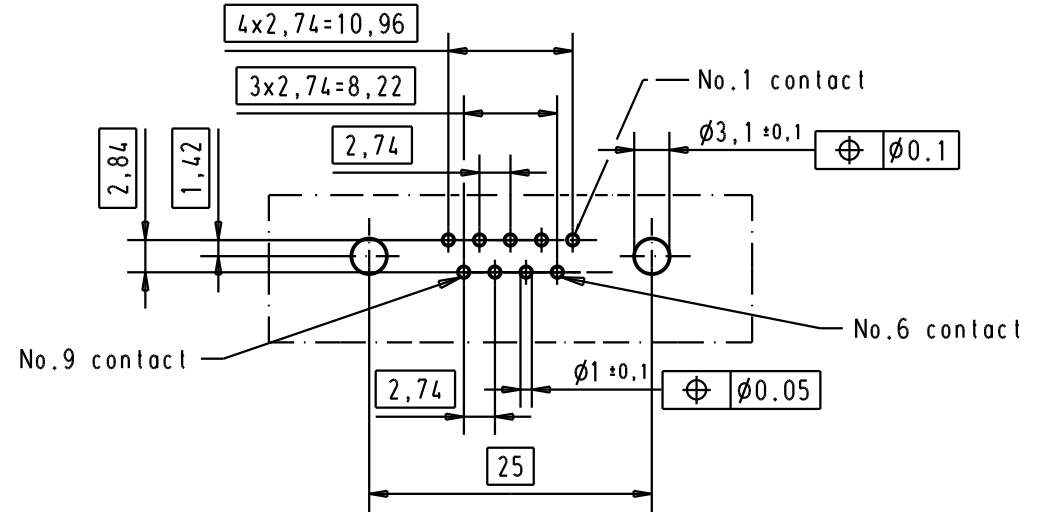
2

1

Mating face according to: MIL-C-24308 / DIN 41652 / CECC 75301-802





Printed board layout component side



Connector retention and insertion forces on the PCB = 25 / 80 newtons

A

09 66 155 3511	M3	1								 All Dim. in mm Orig. Size DIN A 4	D-sub, High temperature, female, straight, 9 poles, with solder pins 2.9, nuts and grounding board lock	Maßstab/ Scale 1,5:1
09 66 155 6511	M3	2				Detail.	05-MAR-02	CV				
09 66 155 7511	M3	3				Insp.						
09 66 155 3512	4-40 UNC	1				Stand.						
09 66 155 6512	4-40 UNC	2	31892	05/05/04	JH	HARTING EURL F-95972 Paris				TB 09 66 155 x51x	Blatt/ Page 1	
09 66 155 7512	4-40 UNC	3	29723	05-MAR-02	CV							
Part number	Nut thread	Performance level	Mod.	Dat.	Name				Sub.			