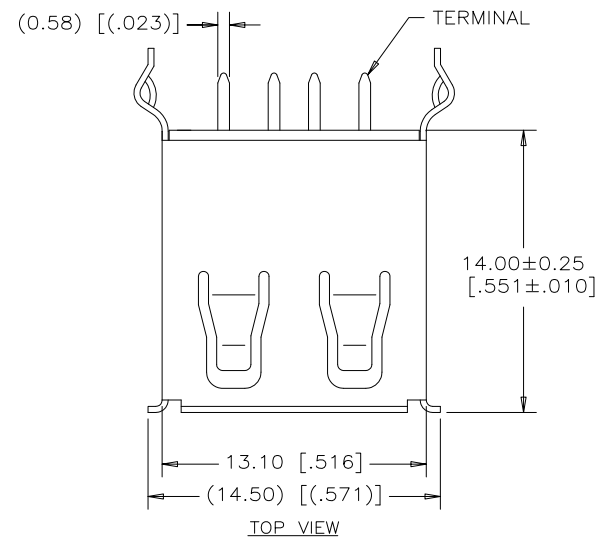


REVISIONS				
SYM	ZONE	ECN, ERN NO.	DATE	APPRD.
G		PRODUCT DWG (EAR 14896)	NOV24/20	K.L.



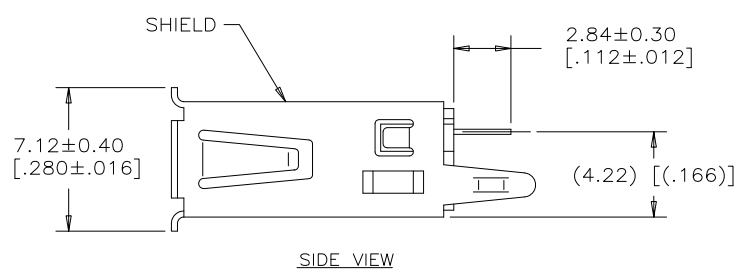
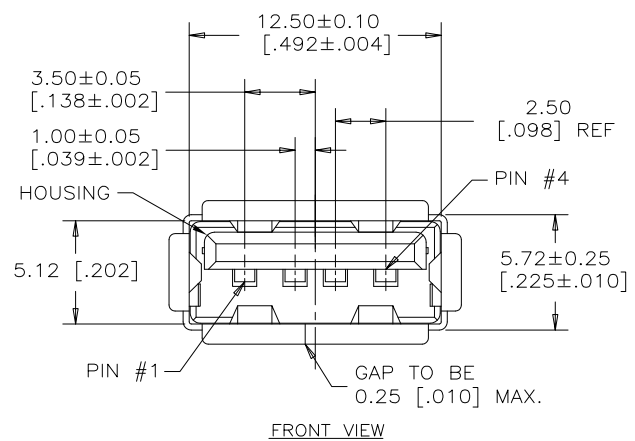
AMPHENOL PART NUMBER: U E 2 7 - A E X 4 - X 0 X

SERIES
UE27=RECEPTACLE
TYPE
A=SERIES A

STYLE
E=STRAIGHT PCB, VERTICAL MOUNT

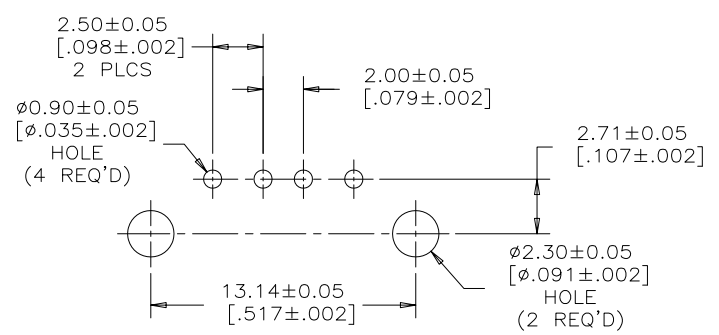
CONTACT PLATING OPTION
5=0.76µm [30µ"] GOLD OVER NICKEL ON CONTACT MATING AREA,
2.54µm [100µ"] TIN PLATING ON CONTACT TAILS.
7=GOLD FLASH OVER NICKEL ON CONTACT MATING AREA,
2.54µm [100µ"] TIN PLATING ON CONTACT TAILS.

MODIFIER
0=PBT HOUSING
H=HIGH TEMP HOUSING (MAXIMUM TEMPERATURE RATING: 260°C FOR 10s)
SHIELDING OPTION
0=STANDARD
COLOUR:
1=BLACK
2=BEIGE (AVAILABLE FOR PBT HOUSING ONLY)
NUMBER OF CONTACTS
4=4 CONTACTS



NOTES:

- HOUSING: ENGINEERING THERMOPLASTIC, FLAMMABILITY UL94V-0, SEE ORDERING CODE FOR OPTIONS.
- CONTACTS: COPPER ALLOY, SEE ORDERING CODE FOR PLATING OPTIONS.
- SHIELD: COPPER ALLOY. PLATED NICKEL OVER COPPER
- CURRENT RATING: 1.5A @ 250V AC
- CONTACT RESISTANCE: 30 MILLIOHMS MAX.
- DIELECTRIC WITHSTANDING VOLTAGE: 500V AC
- MATING CYCLES: 1500 CYCLES
- OPERATING TEMPERATURE: -40°C TO +85°C



MATERIAL	DRAWN	Chigow	DATE	DEC05/05
	DESIGNED			
FINISH	CHECKED	PAULW	DATE	DEC05/05
	I. E. APPRD.			
	Q. A. APPRD.			
	DWG. APPRD.			
	ENG. REL. NO.			
	REF.			
	DIMENSIONS ARE IN	CODE ID. NO.		
	mm [INCHES]	03554		

Amphenol Canada Corp. Commercial Products			
TITLE UNIVERSAL SERIAL BUS (SERIES A) RECEPTACLE, STRAIGHT PCB TAIL, VERTICAL MOUNT, RoHS COMPLIANT			
DWG	DRAWING NO.	P-UE27-AEX4-X0X	REV.
C			G
SCALE	5/1	WT.	SHEET 1 OF 1

THIS DOCUMENT CONTAINS PROPRIETARY INFORMATION AND SUCH INFORMATION MAY NOT BE DISCLOSED TO OTHERS FOR ANY PURPOSE OR USED FOR MANUFACTURING PURPOSES WITHOUT WRITTEN PERMISSION FROM AMPHENOL CANADA CORP.