

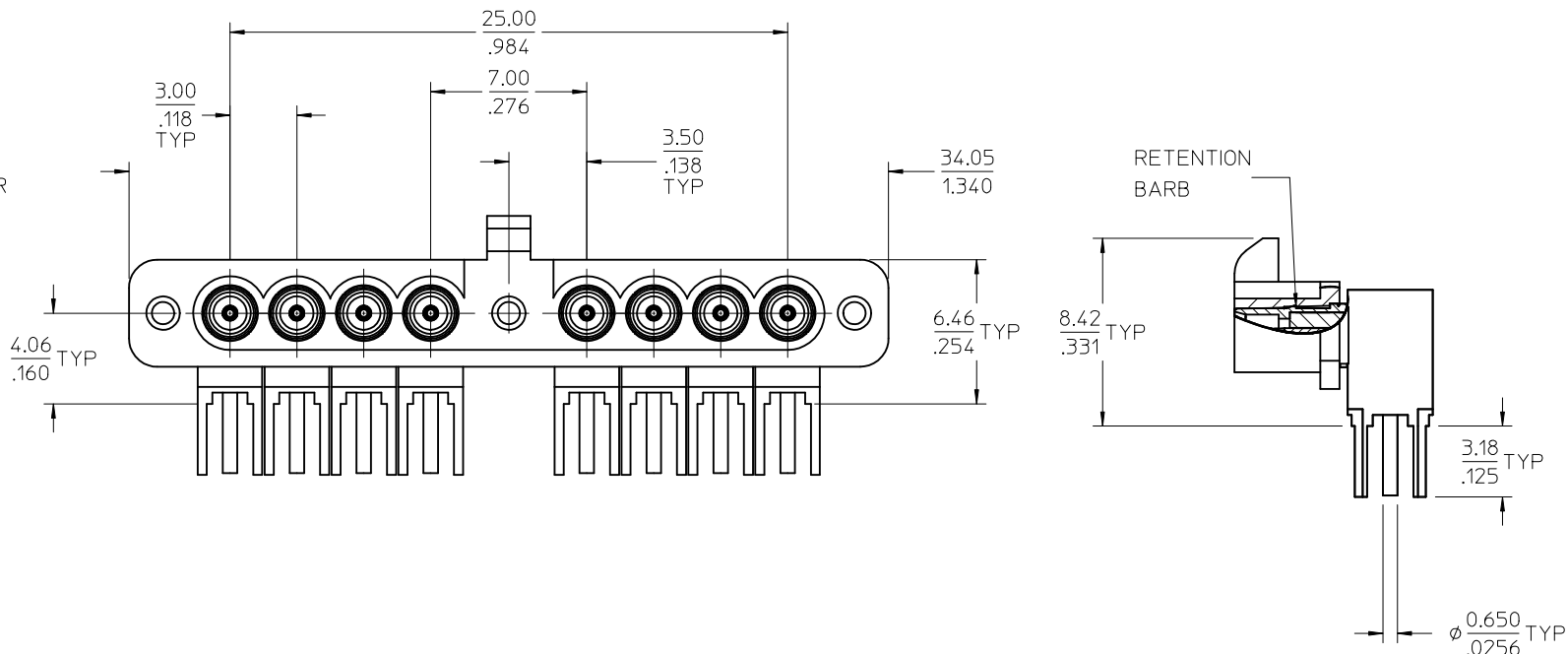
MATERIALS AND FINISHES

BODIES: BRASS
 PLATED GOLD OVER NICKEL

CONTACTS: BERYLLIUM COPPER
 PLATED: GOLD OVER NICKEL

INSULATORS: TEFLON

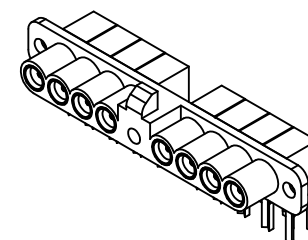
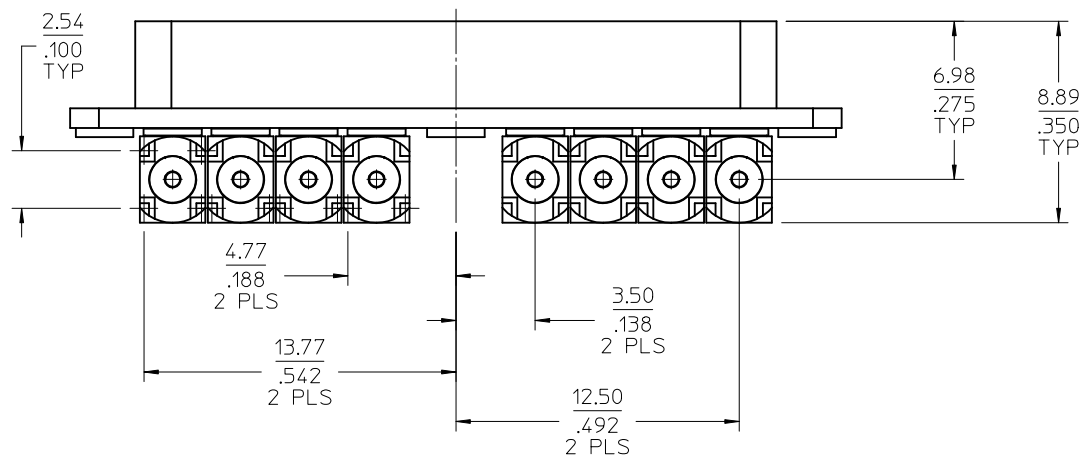
BLOCK: STANYL



MATING FORCE WITH POPULATED
 BLOCK OF SSMCX PLUGS IS
 2.27-4.54 KG (5-10 LBS TYP)

UN-MATING FORCE WITH POPULATED
 BLOCK OF SSMCX PLUGS IS
 1.36-4.08 KG (3-9 LBS TYP)

LATCH NOT ENGAGED



PART # 73358-0490

PS-89675-3600	ELEC/MECH PERFORMANCE
ES-73599-0009-0011	INTERFACE SSMCX JACK
SPECIFICATION	DESCRIPTION

CHG: ADDED SHEET 4
 FOR 73358-0492
 6 PORT VERSION.

EC NO: URF2010-0385
 DRWN: ROBERTSON 2009/12/30
 CHKD: SSS 2010/01/04
 APPR: JWIENER 2010/01/04

QUALITY SYMBOLS

▽=0

▽=0

DESCRIPTION

GENERAL TOLERANCES (UNLESS SPECIFIED)

	mm	INCH
4 PLACES	± .005	± .0005
3 PLACES	± .005	± .0005
2 PLACES	± .005	± .0005
1 PLACE	± .005	± .0005

ANGULAR ± 2°

DRAFT WHERE APPLICABLE
 MUST REMAIN
 WITHIN DIMENSIONS

DIMENSION STYLE
 MM/IN

DRAWN BY
 JDW

CHECKED BY
 SSS

APPROVED BY
 JDW

MATERIAL NO.
 733580490

DATE
 2009/09/22

DATE
 2009/09/22

DATE
 2009/09/22

SCALE
 INCH

DESIGN UNITS
 INCH

THIRD ANGLE PROJECTION

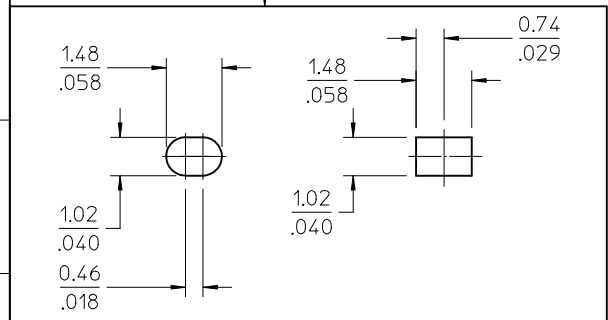
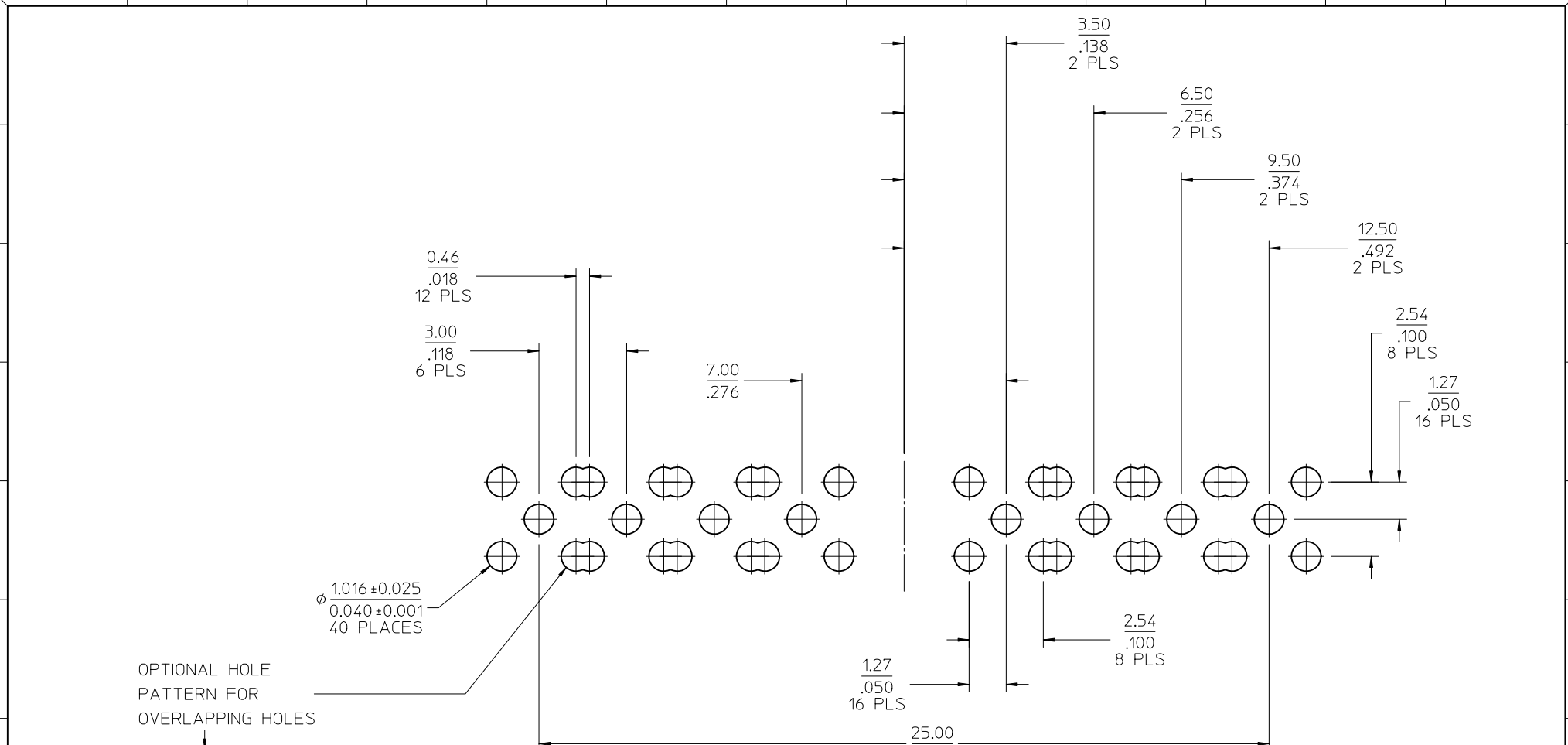
TITLE
 SSMCX J RA PCB TALL
 MF GANG 4/6/8 50 OHM
 SSMCX-J/PCB, EWR-4206

MOLEX INCORPORATED

DOCUMENT NO.
 SD-73358-049

SHEET NO.
 1 OF 4

THIS DRAWING CONTAINS INFORMATION THAT IS PROPRIETARY TO MOLEX INCORPORATED AND SHOULD NOT BE USED WITHOUT WRITTEN PERMISSION

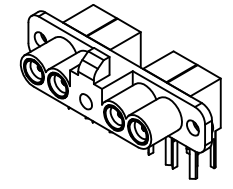
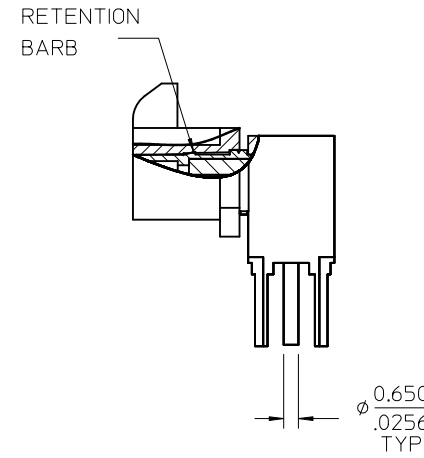
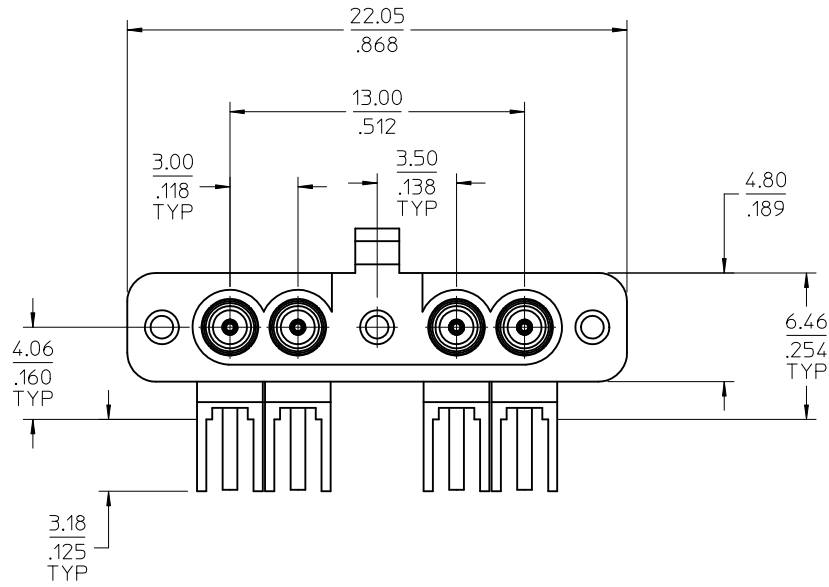


PCB HOLE PATTERN FOR 73358-0490

CHG: SEE SHEET 1. EC NO: URF2010-0385 DRWN:ROBERTSON 2009/12/30 CHKD:SSS 2010/01/04 APPR:JWIENER 2010/01/04	QUALITY SYMBOLS ▽=0 ▽=0	GENERAL TOLERANCES (UNLESS SPECIFIED)	DIMENSION STYLE MM/IN	SCALE INCH	DESIGN UNITS INCH	THIRD ANGLE PROJECTION														
		<table border="1"> <thead> <tr> <th></th> <th>mm</th> <th>INCH</th> </tr> </thead> <tbody> <tr> <td>4 PLACES</td> <td>± ---</td> <td>± ---</td> </tr> <tr> <td>3 PLACES</td> <td>± ---</td> <td>± ---</td> </tr> <tr> <td>2 PLACES</td> <td>± ---</td> <td>± ---</td> </tr> <tr> <td>1 PLACE</td> <td>± ---</td> <td>± ---</td> </tr> </tbody> </table>		mm	INCH	4 PLACES	± ---	± ---	3 PLACES	± ---	± ---	2 PLACES	± ---	± ---	1 PLACE	± ---	± ---	DRAWN BY JDW	DATE 2009/09/22	TITLE SSMCX J RA PCB TALL MF GANG 4/6/8 50 OHM SSMCX-J/PCB, EWR-4206
			mm	INCH																
		4 PLACES	± ---	± ---																
3 PLACES	± ---	± ---																		
2 PLACES	± ---	± ---																		
1 PLACE	± ---	± ---																		
ANGULAR ± 2 °	CHECKED BY SSS	DATE 2009/09/22	APPROVED BY JDW	DATE 2009/09/22	MATERIAL NO. 733580490	DOCUMENT NO. SD-73358-049														
DRAFT WHERE APPLICABLE MUST REMAIN WITHIN DIMENSIONS	SIZE C	THIS DRAWING CONTAINS INFORMATION THAT IS PROPRIETARY TO MOLEX INCORPORATED AND SHOULD NOT BE USED WITHOUT WRITTEN PERMISSION																		

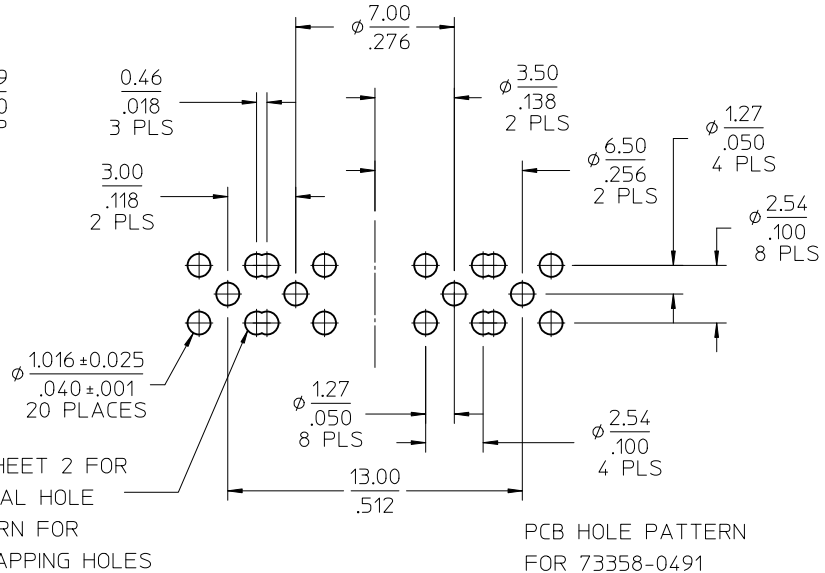
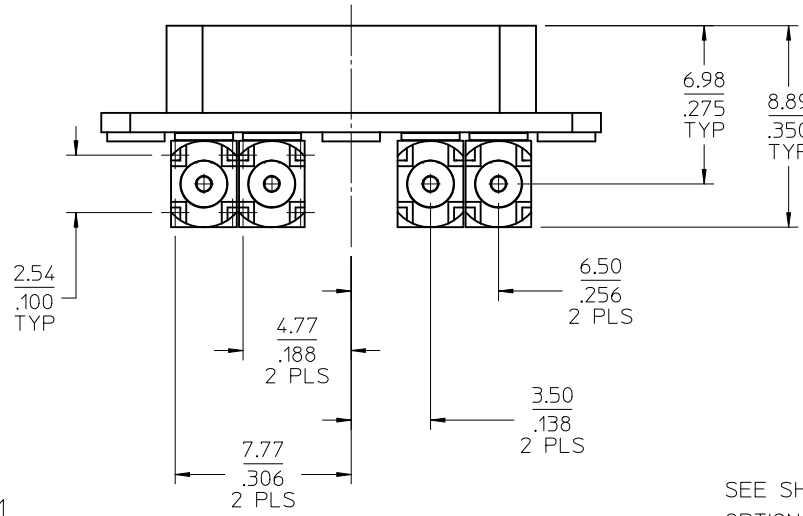
MATERIALS AND FINISHES

SEE SHEET 1



MATING FORCE WITH POPULATED BLOCK OF SSMCX PLUGS IS 1.13-2.27 KG (2.5-5 LBS TYP)

UN-MATING FORCE WITH POPULATED BLOCK OF SSMCX PLUGS IS 0.68-2.04 KG (1.5-4.5 LBS TYP) LATCH NOT ENGAGED



PART # 73358-0491

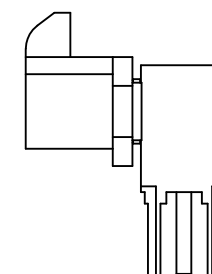
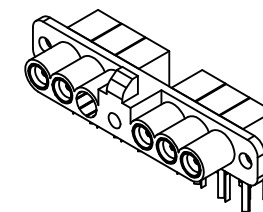
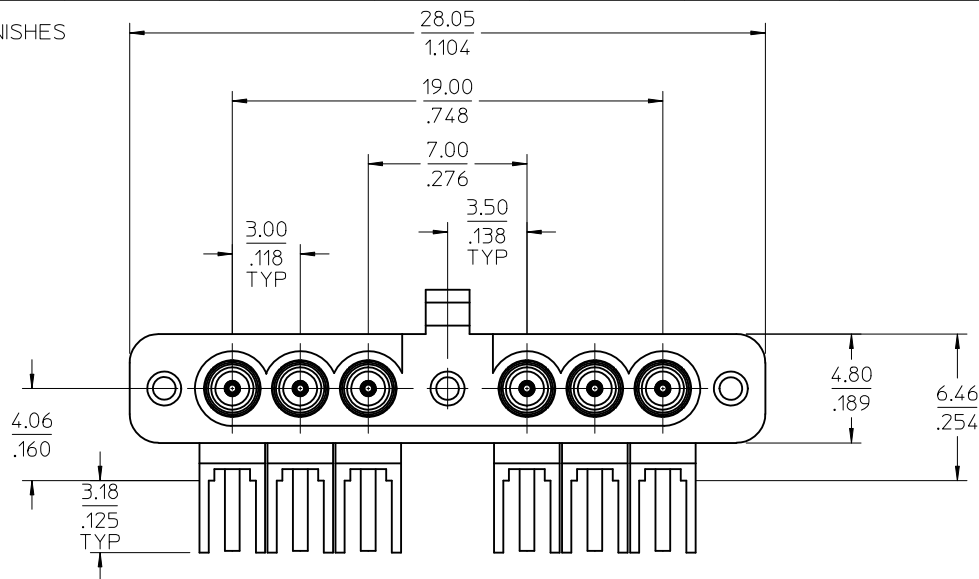
SEE SHEET 2 FOR OPTIONAL HOLE PATTERN FOR OVERLAPPING HOLES

PCB HOLE PATTERN FOR 73358-0491

<p>SEE SHEET 1</p> <p>EC NO: URF2010-0385</p> <p>DRWN:ROBERTSON 2009/12/30</p> <p>CHKD:SSS 2010/01/04</p> <p>APPR:JWIENER 2010/01/04</p> <p>REV A1</p>	<p>QUALITY SYMBOLS</p> <p>▽=0</p> <p>▽=0</p>	<p>GENERAL TOLERANCES (UNLESS SPECIFIED)</p> <table border="1"> <thead> <tr> <th></th> <th>mm</th> <th>INCH</th> </tr> </thead> <tbody> <tr> <td>4 PLACES</td> <td>± .005</td> <td>± .0002</td> </tr> <tr> <td>3 PLACES</td> <td>± .005</td> <td>± .0002</td> </tr> <tr> <td>2 PLACES</td> <td>± .005</td> <td>± .0002</td> </tr> <tr> <td>1 PLACE</td> <td>± .005</td> <td>± .0002</td> </tr> </tbody> </table>			mm	INCH	4 PLACES	± .005	± .0002	3 PLACES	± .005	± .0002	2 PLACES	± .005	± .0002	1 PLACE	± .005	± .0002	<p>DIMENSION STYLE</p> <p>MM/IN</p>	<p>SCALE</p> <p>DESIGN UNITS</p> <p>INCH</p>	<p>THIRD ANGLE PROJECTION</p>
			mm	INCH																	
		4 PLACES	± .005	± .0002																	
		3 PLACES	± .005	± .0002																	
2 PLACES	± .005	± .0002																			
1 PLACE	± .005	± .0002																			
<p>ANGULAR ± 2 °</p>		<p>DRAWN BY</p> <p>DATE</p> <p>JDW 2009/09/22</p>	<p>TITLE</p> <p>SSMCX J RA PCB TALL</p> <p>MF GANG 4/6/8 50 OHM</p> <p>SSMCX-J/PCB, EWR-4206</p>																		
<p>DRAFT WHERE APPLICABLE MUST REMAIN WITHIN DIMENSIONS</p>		<p>CHECKED BY</p> <p>DATE</p> <p>SSS 2009/09/22</p>	<p>MOLEX INCORPORATED</p>																		
<p>SIZE</p> <p>C</p>		<p>APPROVED BY</p> <p>DATE</p> <p>JDW 2009/09/22</p>	<p>MATERIAL NO.</p> <p>733580491</p>	<p>DOCUMENT NO.</p> <p>SD-73358-049</p>	<p>SHEET NO.</p> <p>3 OF 4</p>																

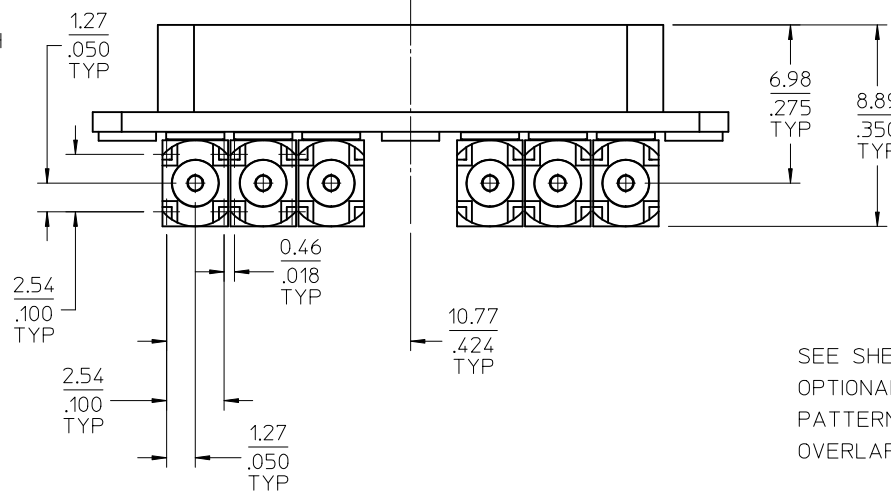
MATERIALS AND FINISHES

SEE SHEET 1

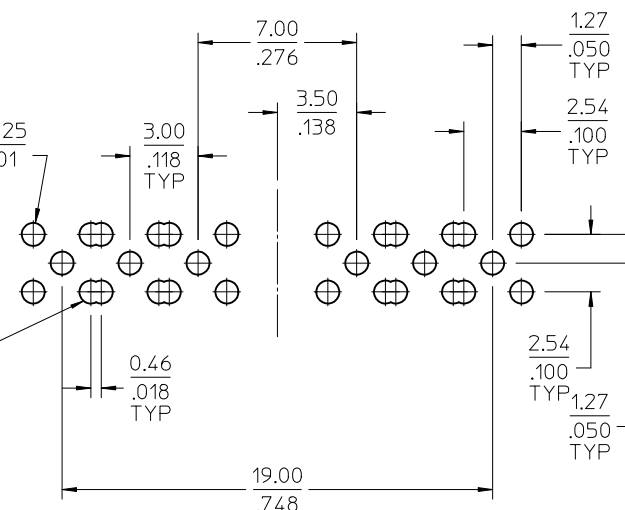


MATING FORCE WITH POPULATED BLOCK OF SSMCX PLUGS IS 2.04-340 KG (4.5-7.5 LBS TYP)

UN-MATING FORCE WITH POPULATED BLOCK OF SSMCX PLUGS IS 1.35-2.27 KG (3-5 LBS TYP) LATCH NOT ENGAGED



SEE SHEET 2 FOR OPTIONAL HOLE PATTERN FOR OVERLAPPING HOLES



POCB HOLE PATTERN
73358-0492

PART # 73358-0492

CHG: SEE SHEET 1.
EC NO: URF2010-0385
DRAWN: ROBERTSON 2009/12/30
CHKD: SSS 2010/01/04
APPR: JWIENER 2010/01/04

REV	DESCRIPTION
A1	

QUALITY SYMBOLS	
	=0
	=0

GENERAL TOLERANCES (UNLESS SPECIFIED)	
	mm
	INCH
4 PLACES	± .005
3 PLACES	± .004
2 PLACES	± .003
1 PLACE	± .002
ANGULAR ± 2°	

DIMENSION STYLE		SCALE	DESIGN UNITS	THIRD ANGLE PROJECTION
MM/IN			INCH	
DRAWN BY	DATE	TITLE		
JDW	2009/09/22	SSMCX J RA PCB TALL		
CHECKED BY	DATE	MF GANG 4/6/8 50 OHM		
SSS	2009/09/22	SSMCX-J/PCB, EWR-4206		
APPROVED BY	DATE	MOLEX INCORPORATED		
JDW	2009/09/22	MATERIAL NO. 733580462		
DOCUMENT NO.		SHEET NO.		
SD-73358-049		4 OF 4		

THIS DRAWING CONTAINS INFORMATION THAT IS PROPRIETARY TO MOLEX INCORPORATED AND SHOULD NOT BE USED WITHOUT WRITTEN PERMISSION