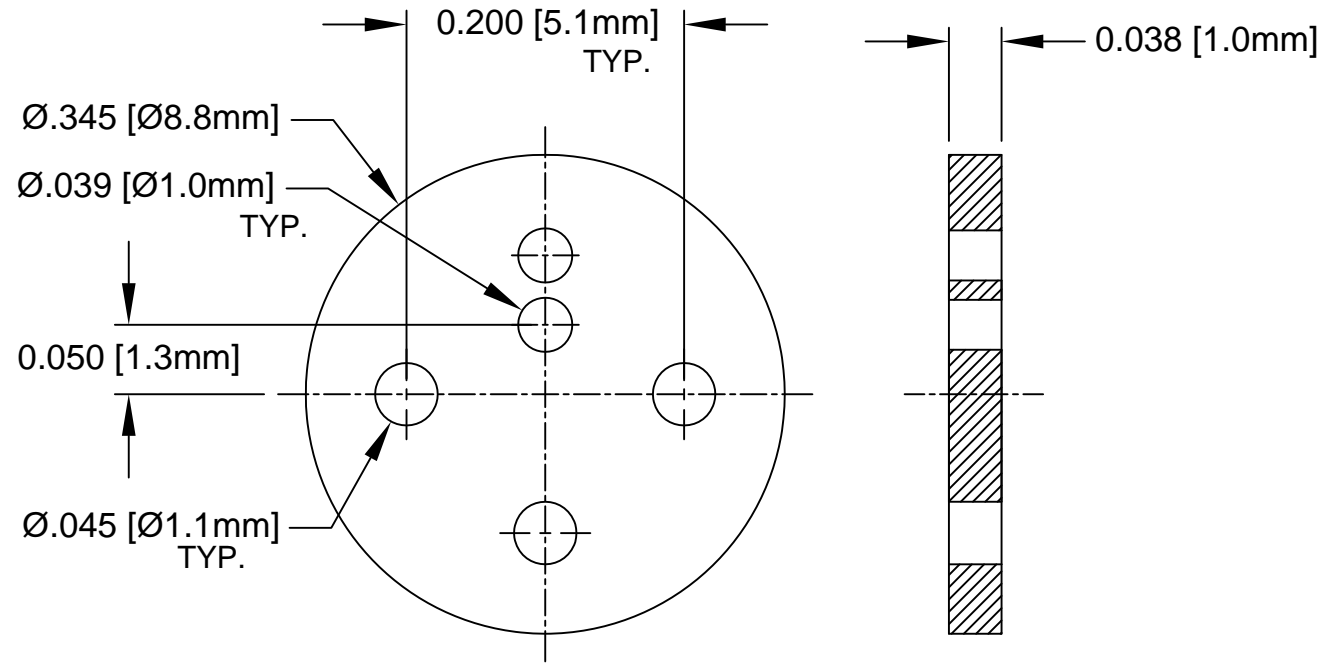


| REV. | DESCRIPTION | DATE | APPROVED |
|------|--------------------------------|----------|----------|
| A | Engineering Update w/o Changes | 02/23/04 | M. C. |
| B | Changed Dimension | 04/06/06 | M. C. |
| C | Updated Material Notes | 12/17/13 | G. W. |
| D | Removed Material Code | 05/22/16 | J. C. |



2. MATERIAL: NYLON 6/6, 94V-2, NATURAL.

1. GENERAL SPECIFICATIONS: BIVAR MOLDED COMPONENT SPECIFICATION BV00-E101.

| STANDARD TOLERANCE (UNLESS OTHERWISE SPECIFIED) | | BIVAR [®] | |
|--|--------------------------|--|-----------------------|
| DECIMALS | ANGULAR | 4 THOMAS, IRVINE, CA. 92618 TEL: (949) 951-8808 FAX: (949) 951-3974 | |
| .X ± .1 | X° ± 1° | TITLE: PERM-O-PAD TO-5 MOUNT | |
| .XX ± .01 | | | |
| .XXX ± .005 | | | |
| DESIGNED: S. Irving | DATE: 09/15/98 | PART NO: 506-038 | REVISION: D |
| CHECKED: M. Chen | DATE: 09/23/03 | CAGE CODE : 32559 | SHEET # 1 OF 1 |
| CAD GENERATED DOCUMENT, DO NOT MEASURE DRAWING. | | | |