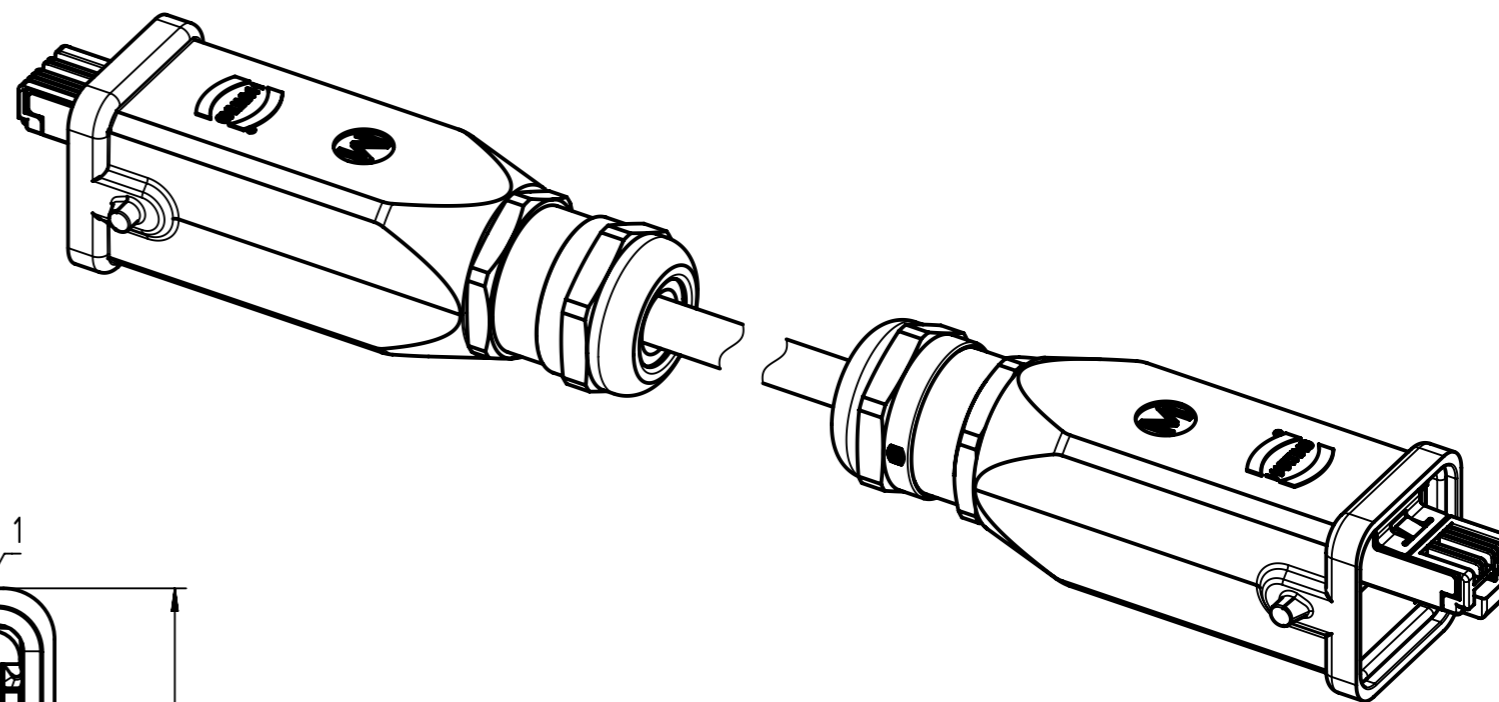
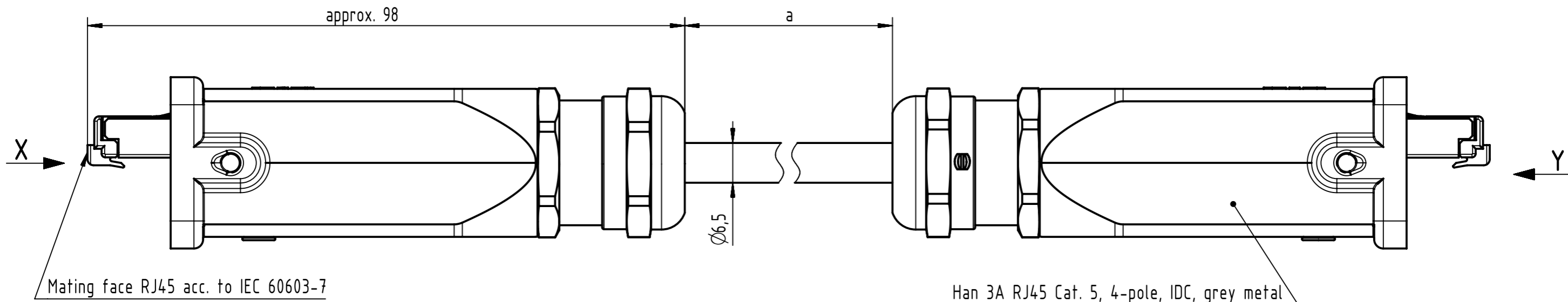


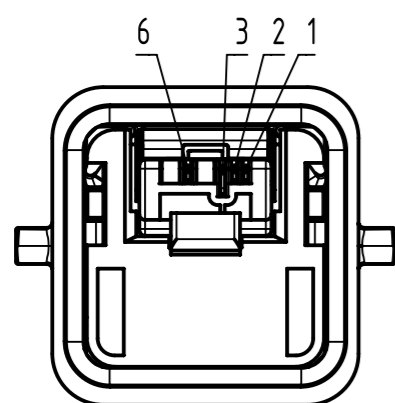
Connector Location A

Connector Location B

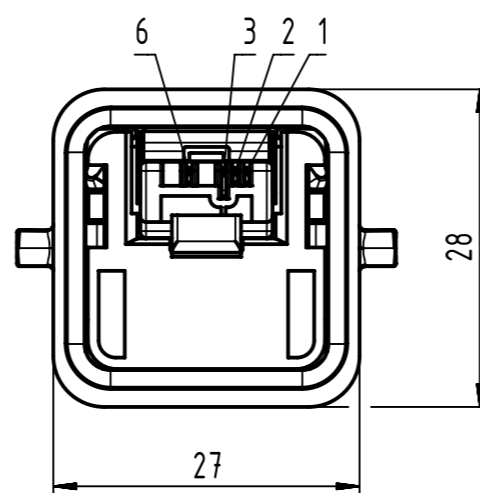
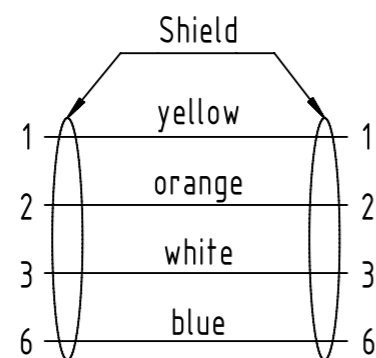


X
male

Y
male



Loading Plan



- Protection level: IP65/67
- Temperature range: -40°C ... +70°C

	All rights reserved Department HCS - RO HARTING Customised Solutions D-32339 Espelkamp	Tech. Character.		Free size tol.		According to production drawing	
		Created by COSTEA Costea	Inspected by STOCHECIC Stocheci	Standardisation MUNTEANV Muntean	Date 2019-07-18	State Final Release	
Title Han 3A RJ45 Cable Assembly						Doc-Key / ECM-Nr. 100081046/UGD/010/E 500000156154	
		Type TB	Number 0945715XXXX			Rev. E	Page 1/2

1	2	3	4
A	51	09457151126	4
	50	09457151125	3
	49	09457151124	2
	48	09457151123	1.5
	47	09457151122	1
	46	09457151121	0.5
B	45	09457150083	100
	44	09457150082	90
	43	09457150081	80
	42	09457150080	70
	41	09457150079	60
	40	09457150078	50
	39	09457150077	40
	38	09457150076	30
	37	09457150075	20
	36	09457150074	15
	35	09457150073	10
	34	09457150072	9
	33	09457150071	8
C	32	09457150070	7
	31	09457150069	6
	30	09457150068	5
	29	09457150067	4
	28	09457150066	3
	27	09457150065	2
	26	09457150064	1.5
	25	09457150063	1
	24	09457150062	0.5
D	23	09457150061	100
	22	09457150060	90
	21	09457150059	80
	20	09457150058	70
	19	09457150057	60
	18	09457150056	50
	17	09457150055	40
	16	09457150054	30
	15	09457150090	25
	14	09457150053	20
	13	09457150052	15
	12	09457150051	10
E	11	09457150031	9
	10	09457150030	8
	9	09457150029	7
	8	09457150028	6
	7	09457150027	5
	6	09457150026	4
	5	09457150025	3
	4	09457150024	2
	3	09457150023	1.5
	2	09457150022	1
F	1	09457150021	0.5
	Cont. no.	Part no.	Dim. a[m]

RJI Ethernet Standard Cable,
4xAWG 22/1, PVC,
Cat. 5+, green

RJI Ethernet Stranded Cable,
4xAWG 22/7, PVC outdoor,
Cat. 5+, black

RJI Ethernet Trailing Cable,
4xAWG 22/7, PUR,
Cat. 5+, green

5	6	7	8
95	09457151183		100
94	09457151182		90
93	09457151181		80
92	09457151180		70
91	09457151179		60
90	09457151178		50
89	09457151177		40
88	09457151176		30
87	09457151175		20
86	09457151174		15
85	09457151173		10
84	09457151172		9
83	09457151171		8
82	09457151185		7.5
81	09457151170		7
80	09457151169		6
79	09457151168		5
78	09457151167		4
77	09457151166		3
76	09457151165		2
75	09457151164		1.5
74	09457151163		1
73	09457151162		0.5
72	09457151161		100
71	09457151160		90
70	09457151144		85
69	09457151159		80
68	09457151158		70
67	09457151143		65
66	09457151157		60
65	09457151142		55
64	09457151156		50
63	09457151155		40
62	09457151141		35
61	09457151154		30
60	09457151140		25
59	09457151153		20
58	09457151152		15
57	09457151151		10
56	09457151131		9
55	09457151130		8
54	09457151129		7
53	09457151128		6
52	09457151127		5
Cont. no.	Part no.	Type of cable	Dim. a[m]

RJI Ethernet Stranded Cable,
4xAWG 22/7, PVC,
Cat. 5+, green

RJI Ethernet Standard Cable,
4xAWG 22/1, PVC,
Cat. 5+, green



All Dimensions in mm

Tech. Character.

Free size tol.

According to production drawing



All rights reserved
Department HCS - RO

Created by
COSTEA
Costea

Inspected by
STOCHECIC
Stochechi

Standardisation
MUNTEANV
Muntean

Date
2019-07-18

State
Final Release

Title
Han 3A RJ45 Cable Assembly

Doc-Key / ECM-Nr.
100081046/UGD/010/E
500000156154

HARTING Customised Solutions
D-32339 Espelkamp

Type
TB

Number
0945715XXXX

Rev.
E

Page
2/2