

APPROVAL SHEET



WLSS628P Series
Shielded SMD Power Inductors

*Contents in this sheet are subject to change without prior notice.

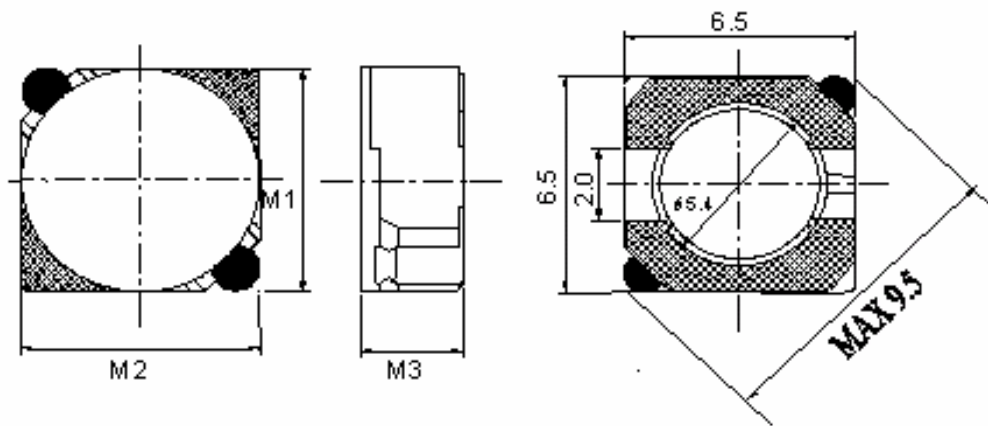
Features

1. Shielded power inductor.
2. Wide inductance range.

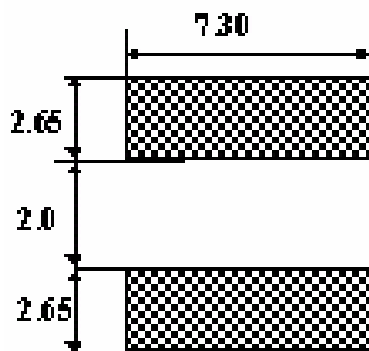
Applications

1. Inductor in DC/DC converter.
2. Use in STB 、 PDA 、 Notebook.

Shape and Dimension



Unit : mm



	DIM.	TOL.
M1	6.7	±0.3
M2	6.7	±0.3
M3	3.0	MAX.

Ordering Information

WL	SS	628P	Z0	N	3R0	L	B
Product Code	Series	Dimensions	Series extension	Tolerance	Value	Packing Code	
WL: Inductor	Shielded SMD Power Inductors	6.7 * 6.7 mm	Z0:STD	N: ± 30%	3R0 =3.0uH 100 = 10.0uH 101 =100uH	L=13" Reeled (Embossed tape)	B:STD

Electrical Characteristics

WLSS628P Series	Marking	L (uH)	Inductance Tolerance	Test Freq (KHz)	DCR (mΩ) MAX.	Rated Current (A)
WLSS628PZ0N3R0LB	3R0	3.0	±30%	10	24	3.00
WLSS628PZ0N3R9LB	3R9	3.9	±30%	10	27	2.60
WLSS628PZ0N5R0LB	5R0	5.0	±30%	10	31	2.40
WLSS628PZ0N6R0LB	6R0	6.0	±30%	10	35	2.25
WLSS628PZ0N7R3LB	7R3	7.3	±30%	10	54	2.1
WLSS628PZ0N8R6LB	8R6	8.6	±30%	10	58	1.85
WLSS628PZ0N100LB	100	10	±30%	10	65	1.70
WLSS628PZ0N120LB	120	12	±30%	10	70	1.55
WLSS628PZ0N150LB	150	15	±30%	10	84	1.40
WLSS628PZ0N180LB	180	18	±30%	10	95	1.32
WLSS628PZ0N220LB	220	22	±30%	10	128	1.2
WLSS628PZ0N270LB	270	27	±30%	10	142	1.05
WLSS628PZ0N330LB	330	33	±30%	10	165	0.97
WLSS628PZ0N390LB	390	39	±30%	10	210	0.86
WLSS628PZ0N470LB	470	47	±30%	10	238	0.80
WLSS628PZ0N560LB	560	56	±30%	10	277	0.73
WLSS628PZ0N680LB	680	68	±30%	10	304	0.65
WLSS628PZ0N820LB	820	82	±30%	10	390	0.60
WLSS628PZ0N101LB	101	100	±30%	10	535	0.54

a. Tolerance : N:±30%

b. Operating Temp : -25°C to +105°C.

c. Inductance measured using the HP4284A LCR meter, CHROMA 1320 & 3302 & 16502.

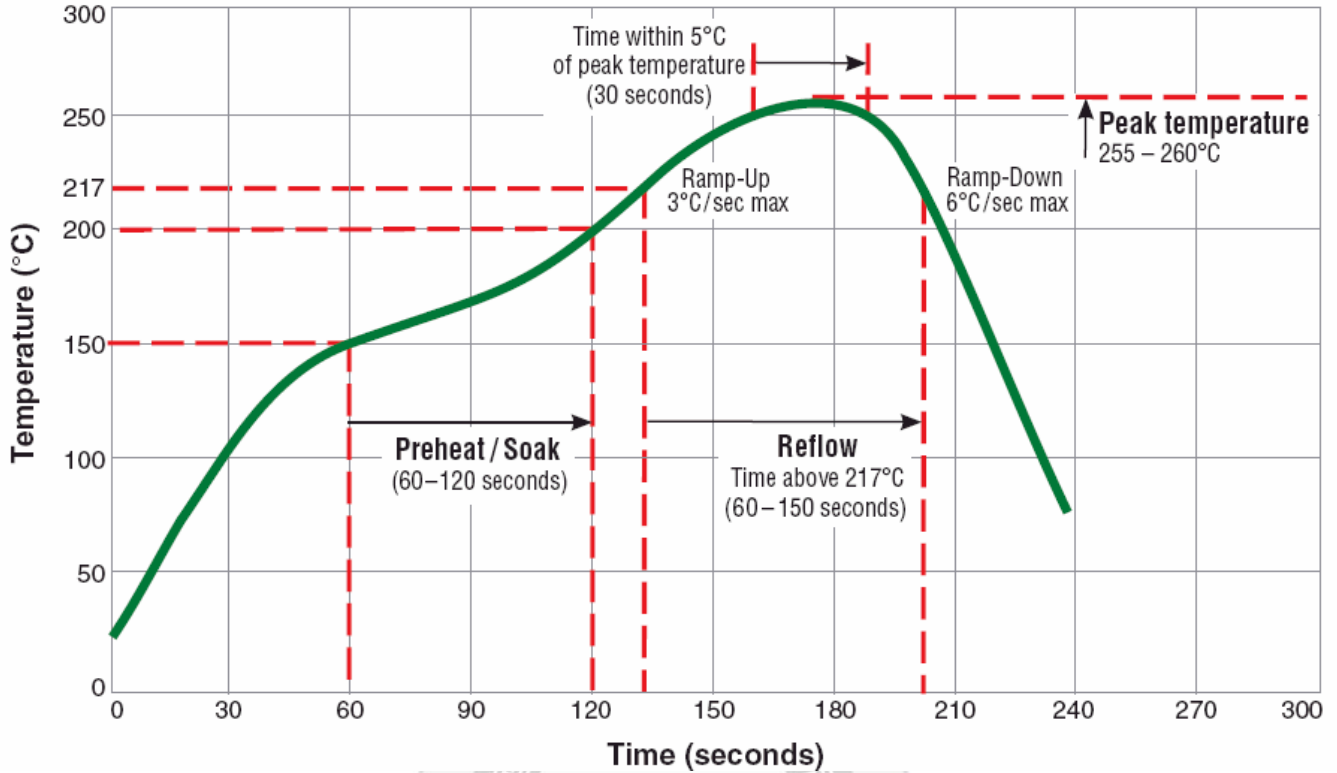
d. DCR measured using the 502BC milli-ohm meter.

e. Inductance drops no more than 35% of initial value at rated current, temperature rises $\Delta t < 40^\circ\text{C}$.

f. MSL : LEVEL 1

TYPICAL RoHS REFLOW PROFILE

Typical RoHS Reflow Profile



RELIABILITY PERFORMANCE

Reliability Experiment For Electrical

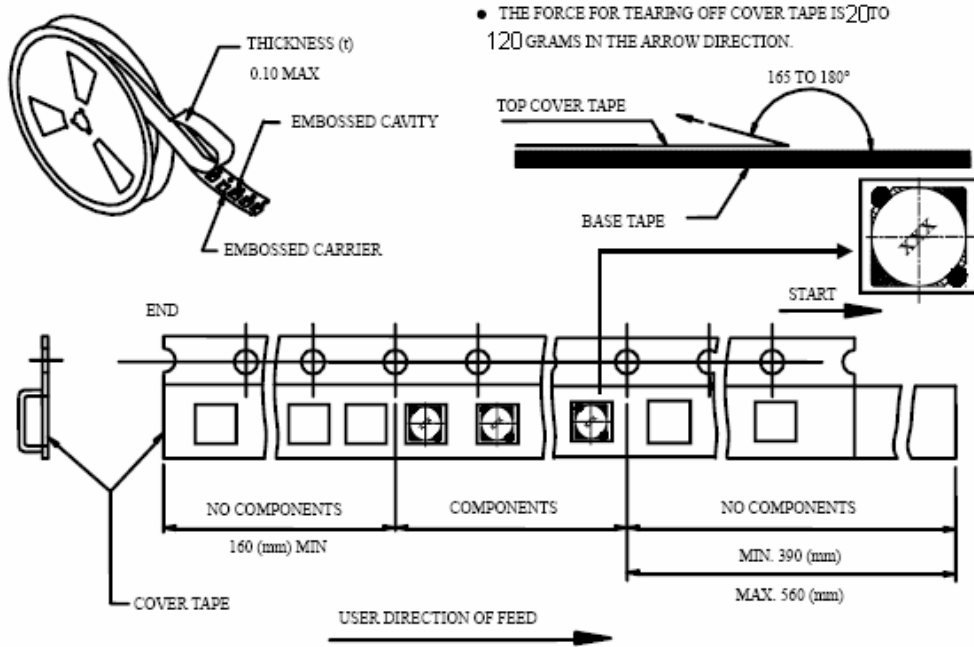
Test Item	Test Condition	Standard Source
Humidity Test	+40°C ± 2°C, humidity of 90% ± 5% (total 96 hours).	MIL-STD-202G Method 103B Test Condition B
High Temperature Test	1. Temperature: +125°C ± 2°C 2. Test time: 48 ± 2hrs	IEC 68-2 Test Condition B
Low Temperature Test	1. Temperature: -40°C ± 2°C 2. Test time: 48 ± 2hrs	IEC 68-2 Test Condition A
Thermal Shock	+125°C ± 5°C (30 minutes) ~ -40 ± 5°C (30 minutes), temperature switch time: 5 minutes (total 50 cycles).	MIL-STD-202G Method 107G Test Condition B-2
Life Test	+70°C ± 5°C (250Hours)	MIL-STD-202G Method 108A Test Condition B

Reliability Experiment For Physical

Test Item	Test Condition	Standard Source
Vibration Test	10-55-10HZ, amplitude: 1.5mm, direction: X, Y, Z axes, each axis 2 hours (total 6 hours).	MIL-STD-202G Method 201A
Solder Heat Resistance Test	IR/convection reflow: Peak Temp 250 ± 5°C for 5Sec in air, Through 2 Cycle. Temperature Ramp: +1~4°C/sec; Above 183°C, must keep 90 s - 120 s	MIL-STD-202G Method 210F Test Condition (Reflow)
Solder Ability Test	Soak in 245 °C solder pot of 3Sec, PAD must have 95% above coverage.	J-STD-003B

Tape & Reel Packaging Dimensions:

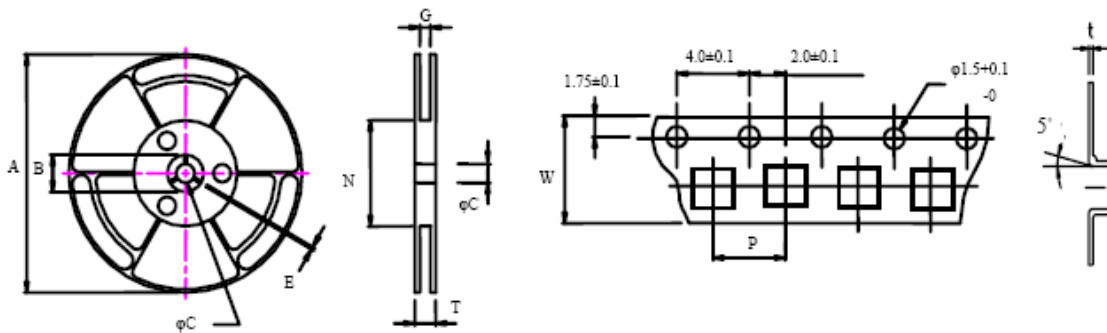
PACKAGING SPECIFICATION FOR SMD COILS



■ CARRIER TAPE REELS (mm)

MATERIAL: PLASTIC

■ DIMENSIONS OF CARRIER TAPE (mm)



Unit : mm

	A	B	C	G	N	P	T	W	t
DIM.	330	21	13	16.4	80	12.0	22.4	16.0	0.35
TOL.	MAX	±0.8	+0.5-0.2	+0.2-0	MIN.	±0.10	MAX	±0.3	±0.05

Quantity per reel : 1.5K pcs