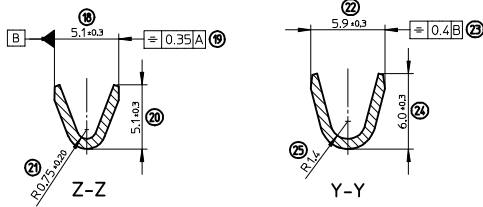
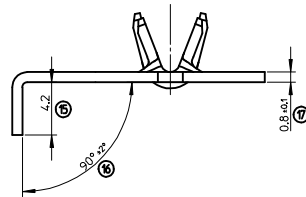
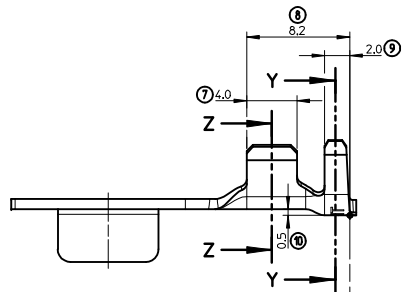
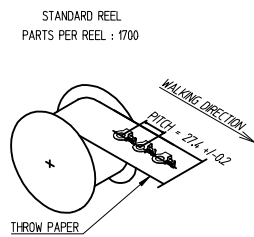


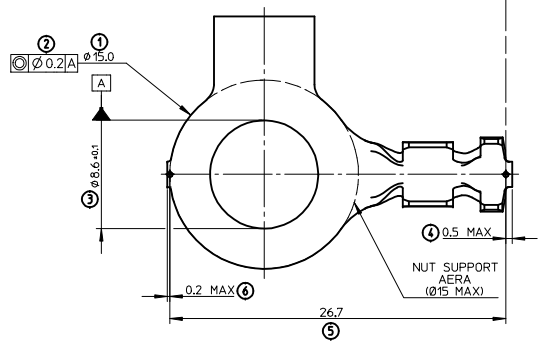
SECTIONS



PACKAGING



ATTACHED LINE DIMENSION



MARKING :

- 1 - ENGINEERING CONTROL ID

NOTES :

- 1 - MATERIAL : BRASS
- 2 - PLATING : PRE-TIN PLATED
- 3 - CRIMPING RANGE (mm²) : 1.5 TO 2.5
- 4 - PACKAGING : PARTS DELIVERED ON STRIP (SEE VIEW)

INSPECTION BALLOON NUMBER LOG

PER DRAWING REVISION : A
 LAST BALLOON NUMBER USED : 25
 ADDED BALLOON NUMBERS : NONE
 REMOVED BALLOON NUMBERS : NONE

FIRST RELEASE IEC NO: G2013-0276 DRAWN BY: DRW/PBOSQUAIN CHECKED BY: CHK/DJUCLOS APPROVED BY: APPR/OPLESSIS 2013/04/24 2017/09/06 2017/09/28	QUALITY SYMBOLS ∇=0 ∇=0 ∇=0	GENERAL TOLERANCES (UNLESS SPECIFIED)		DIMENSION STYLE MM ONLY		SCALE 5:1	DESIGN UNITS METRIC	FIRST ANGLE PROJECTION		
		4 PLACES ± --- ± ---	3 PLACES ± --- ± ---	2 PLACES ± --- ± ---	1 PLACE ± 0.2 ± ---	0 PLACE ± --- ± ---	DRAWN BY DATE PBOSQUAIN 2013/04/24	CHECKED BY DATE DJUCLOS 2017/09/06	APPROVED BY DATE OPLESSIS 2017/09/28	TITLE RING TERMINAL 8X15X0.8 1.5-2.5
		ANGULAR ± --- °		DRAFT WHERE APPLICABLE MUST REMAIN WITHIN DIMENSIONS		MATERIAL NO. 0988601329	DOCUMENT NO. SD-98860-008		SHEET NO. 1 OF 1	
		THIS DRAWING CONTAINS INFORMATION THAT IS PROPRIETARY TO MOLEX INCORPORATED AND SHOULD NOT BE USED WITHOUT WRITTEN PERMISSION								