

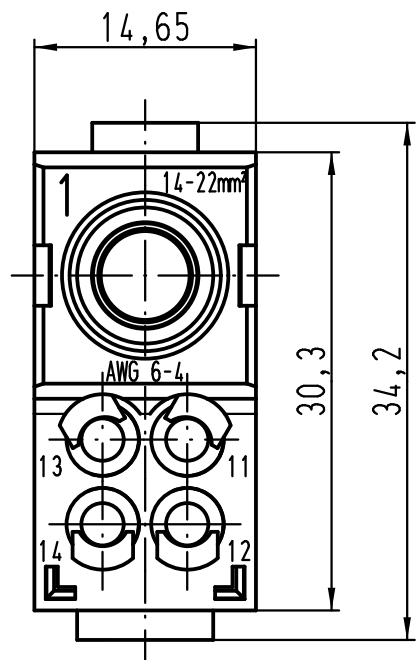
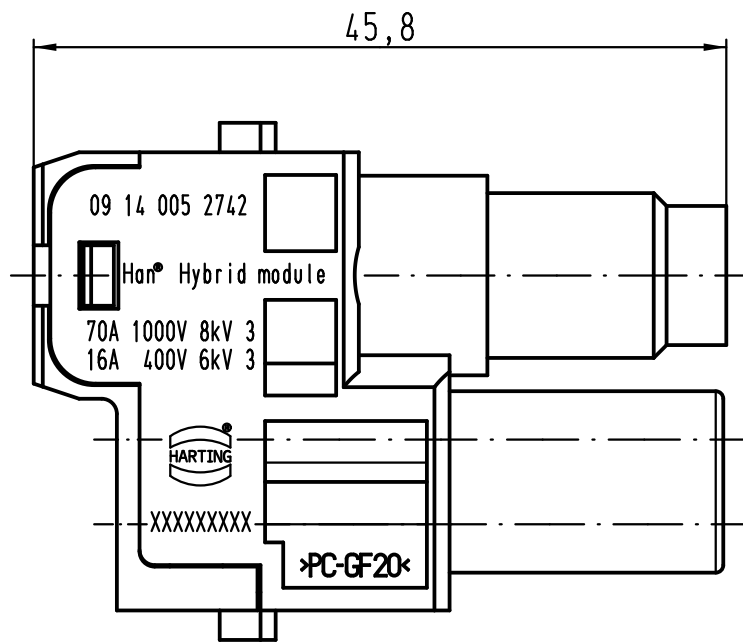
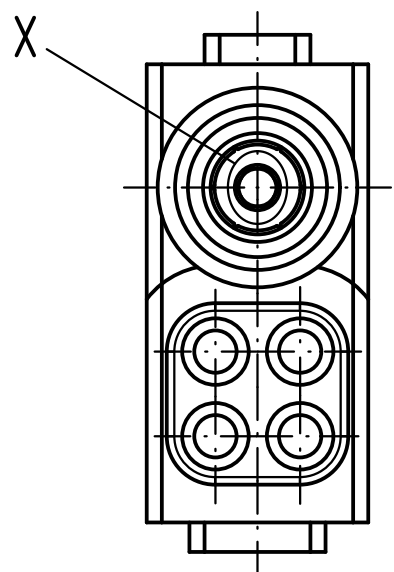
1 2 3 4 5 6

A

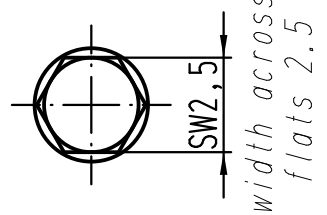
B

C

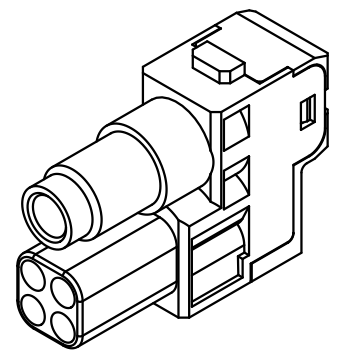
D



X(5:1)



für Litze 14-22mm², AWG 6-4, feindrähtig
for stranded wire 14-22mm², AWG 6-4, fine wire



| | | | | | | |
|---|----------|-------------------|---|------|---|--|
| All Dimensions in mm Original Size DIN A 4 | | Techn. Character. | | | Nicht tolerierte Maß/Free size tolerances | |
| | | | Dat. | Name | Maßstab/Scale 2:1 | Han Hybrid module 4xE + 1x70A female insert |
| | | Detail. | 14.01.11 | Spr | | |
| | | Insp. | | Rue | | |
| | | Stand. | | | | |
| B | 06.05.11 | Spr | HARTING Electric GmbH & Co. KG D-32339 Espelkamp | | | TB 09 14 005 2742 |
| A | | | | | | |
| Mod. | Dat. | Name | | | | |
| | | | | | Sub. | Blatt/page |