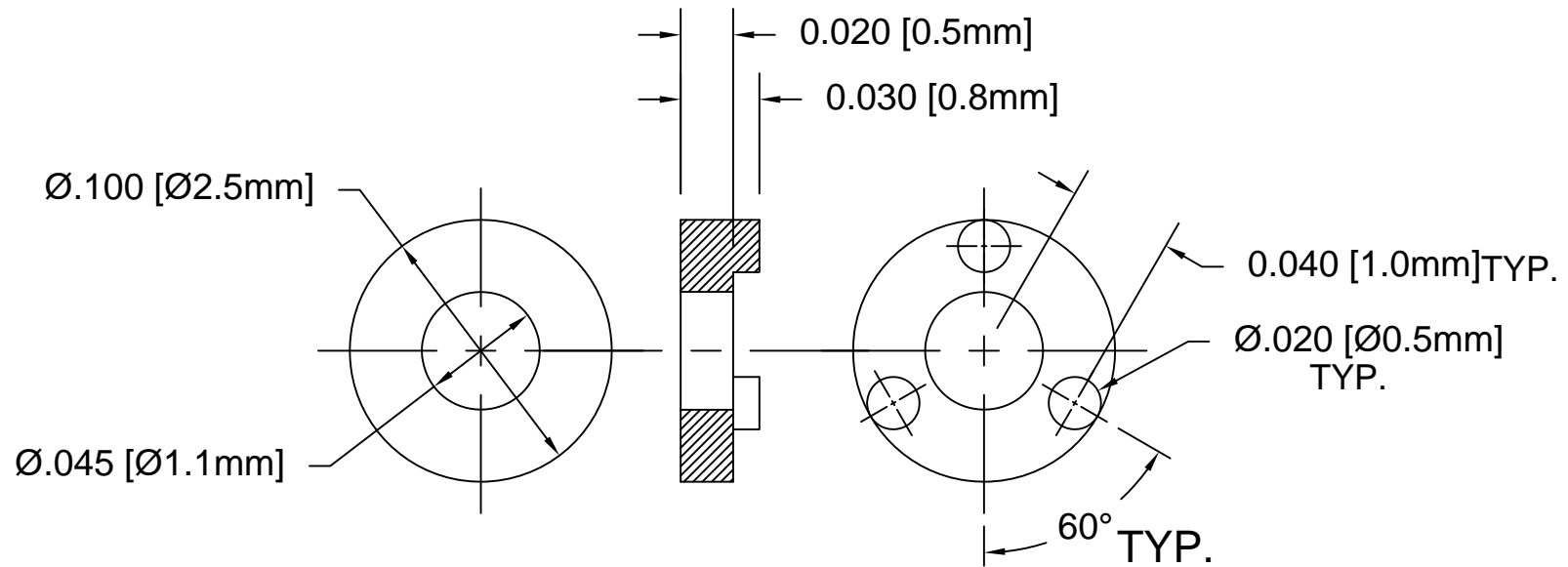


REV.	DESCRIPTION	DATE	APPROVED
C	Engineering Update w/o Changes	02/20/04	M. C.
D	Removed Material Code	05/22/16	J. C.



2. MATERIAL: NYLON 6/6, 94V-2, WHITE.

1. GENERAL SPECIFICATIONS: BIVAR MOLDED COMPONENT SPECIFICATION BV00-E101.

STANDARD TOLERANCE (UNLESS OTHERWISE SPECIFIED)		BIVAR®	
DECIMALS	ANGULAR	4 THOMAS, IRVINE, CA. 92618 TEL: (949) 951-8808 FAX: (949) 951-3974	
.X ±.1	X° ± 1°	TITLE: PERM-O-PAD	
.XX ±.01		PART NO: 413-030	
.XXX ±.005		REVISION: D	
DESIGNED: <b>S. Irving</b>	DATE: <b>05/12/98</b>	CAGE CODE : 32559 SHEET # 1 OF 1	
CHECKED: <b>D. Green</b>	DATE: <b>02/20/04</b>	CAD GENERATED DOCUMENT, DO NOT MEASURE DRAWING.	