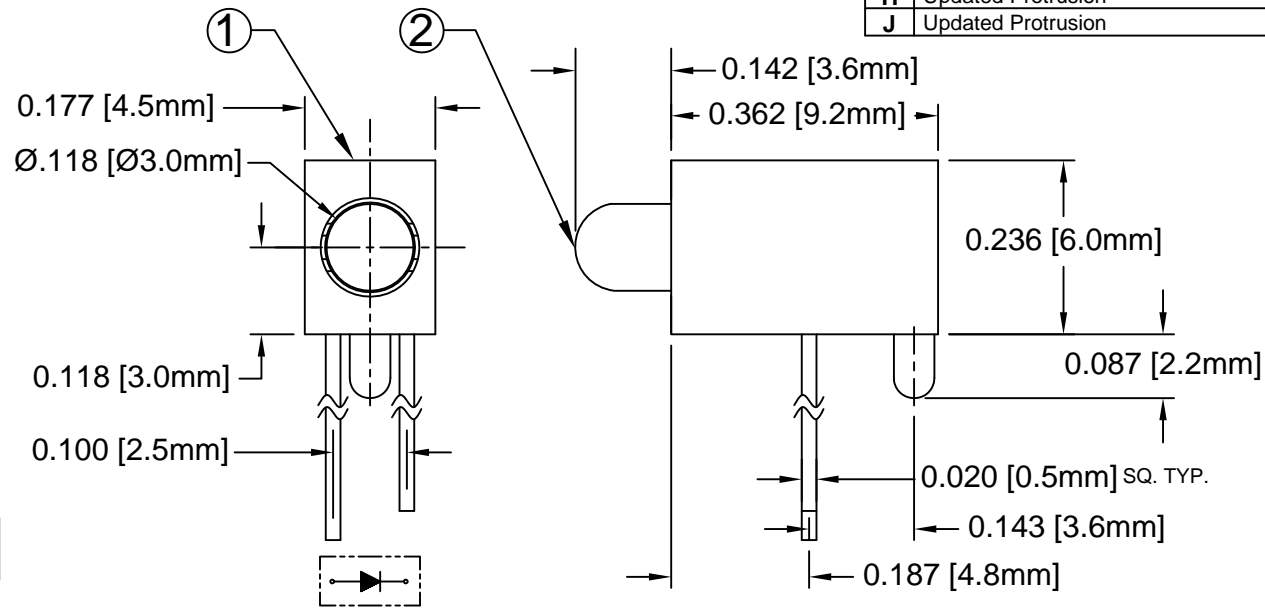
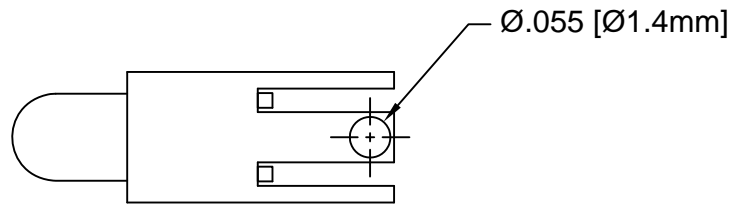
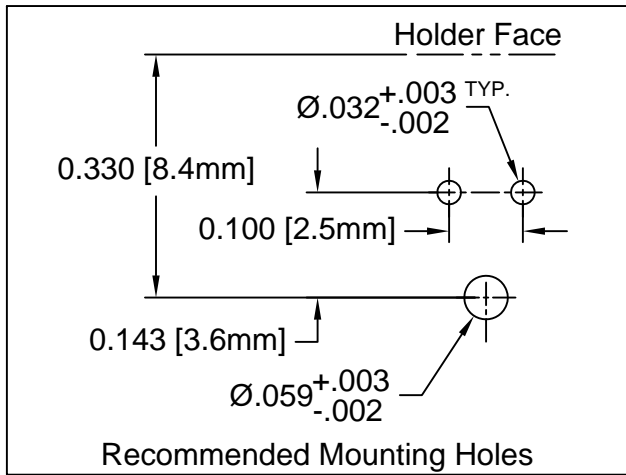


ITEM	Q'TY	PART NUMBER	PART DESCRIPTION
1	1	H-125C-LP	T-1 (3mm) LED Holder, 90° Mount
2	1	3XX-S	T-1 (3mm) N-Flange Shouldered LED, See Page 2

REV.	DESCRIPTION	DATE	APPROVED
D	Add Note Uncut Leads	01/02/07	M. C.
E	Updated Protrusion and LEDs to Shouldered	03/12/08	M. C.
F	Updated Protrusion	04/04/08	M. C.
G	LED Spec Upgrade, Updated Locating Post	07/10/08	M. C.
H	Updated Protrusion	04/29/13	M. C.
J	Updated Protrusion	11/23/15	J. C.



NOTE: LEADS ARE UNCUT.




ABSOLUTE MAXIMUM RATINGS (Ta=25° C)

REVERSE VOLTAGE	5V
REVERSE CURRENT	100uA
OPERATING TEMPERATURE RANGE	-25° C - 85° C
STORAGE TEMPERATURE	-30° C - 100° C
LEAD SOLDERING TEMPERATURE(1/16" FROM BODY)	260° C FOR 5 SECONDS

STANDARD TOLERANCE (UNLESS OTHERWISE SPECIFIED)		 4 THOMAS, IRVINE, CA. 92618 TEL: (949) 951-8808 FAX: (949) 951-3974	
DECIMALS	ANGULAR		
.X ± .1	X° ± 1°		TITLE: T-1 (3MM) 90° SINGLE-LEVEL LED LOCATOR PIN LED ASSY
.XX ± .02			
.XXX ± .010			
DESIGNED: David Green	DATE: 10/23/02	PART NO: H125CXX-LP	REVISION: J
CHECKED: M. Chen	DATE: 10/23/02	CAGE CODE : 32559	SHEET # 1 OF 2
CAD GENERATED DOCUMENT. DO NOT MEASURE DRAWING.			

REV.	DESCRIPTION	DATE	APPROVED
	SEE SHEET#1.		

LED Assy. No.	Peak Wave Length λ_p (nm)	Emitted Color	Lens Appearance	Electro-Optical Data				Viewing Angle $2\theta_{1/2}$ (Deg)	LED P/N
				If (mA)	Vf (V)		Iv (mcd)		
				Max.	Typ.	Max.	Typ.		
STANDARD				Data @ 20mA					
H125CBWD-LP	430	BLUE	DIFFUSED	25	4.0	4.5	10	40	3BWD-S
H125CGD-LP	568	GREEN	DIFFUSED	30	2.1	2.8	25	40	3GD-S
H125CYD-LP	590	YELLOW	DIFFUSED	30	2.0	2.8	20	40	3YD-S
H125CHD-LP	625	HE RED	DIFFUSED	30	2.0	2.8	30	40	3HD-S
H125CRD-LP	700	RED	DIFFUSED	20	2.1	2.8	2	40	3RD-S
H125CSRDL-LP	645	SUPER RED	DIFFUSED	30	1.7	2.4	40	40	3SRD-S
LOW CURRENT				Data @ 2mA					
H125CGDL-LP	568	GREEN	DIFFUSED	7	2.1	2.6	2	40	3GDL-S
H125CYDL-LP	590	YELLOW	DIFFUSED	7	2.0	2.6	2	40	3YDL-S
H125CHDL-LP	625	HE RED	DIFFUSED	7	2.0	2.6	3	40	3HDL-S
5 VOLT				Data @ 5V					
H125CGD5V-LP	568	GREEN	DIFFUSED	8	-	5.0	25	40	3GD5V-S
H125CYD5V-LP	590	YELLOW	DIFFUSED	8	-	5.0	20	40	3YD5V-S
H125CHD5V-LP	625	HE RED	DIFFUSED	8	-	5.0	30	40	3HD5V-S

STANDARD TOLERANCE (UNLESS OTHERWISE SPECIFIED) $\pm 10\%$ ALL VALUES		 4 THOMAS, IRVINE, CA. 92618 TEL: (949) 951-8808 FAX: (949) 951-3974	
ANGULAR X° \pm 5°			
DESIGNED: David Green		DATE: 10/23/02	TITLE: T-1 (3MM) 90°SINGLE-LEVEL LED LOCATOR PIN LED ASSY PART NO: H125CXX-LP REVISION: J
CHECKED: M. Chen		DATE: 10/23/02	
		CAGE CODE : 32559	SHEET # 2 OF 2
CAD GENERATED DOCUMENT. DO NOT MEASURE DRAWING.			