

2.5V/3.3V, 3.0GHz CML AnyGate® Any Logic with 50Ω Outputs

Features

- Guaranteed AC Parameters Over Temperature:
 - $f_{MAX} > 3.0GHz$
 - $t_r / t_f < 100ps$
 - Propagation delay $< 280ps$
- Guaranteed Operation Over -40° to $+85^{\circ}C$ Temperature Range
- Wide Supply Voltage Range: 2.3V to 3.6V
- Single IC Provides 8 Logic Functions
- 2:1 MUX Capability
- Fully Differential I/O
- Source Terminated CML Outputs for Fast edge Rates (50Ω Load)
- Guaranteed Matched Propagation Delays:
 - Select (S)-to-out: $< 280ps$
 - Input (A and B)-to-out: $< 280ps$
- Accepts LVPECL and CML Input Signals
- Functions as LVPECL-to-CML Translator
- Available in a 10-pin (3mm x 3mm) MSOP Package

Applications

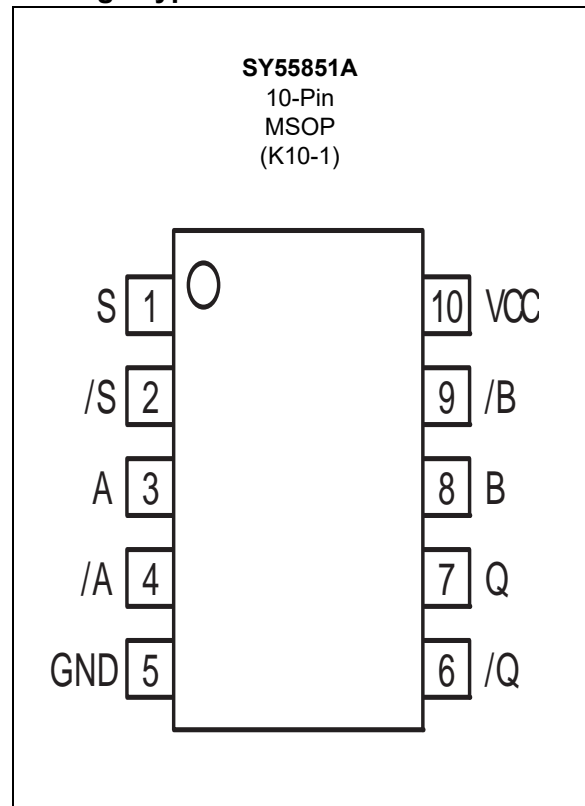
- Port bypass
- Data communication systems
- Wireless communication systems
- Telecom systems

General Description

The SY55851A is a highly flexible, universal logic gate capable of up to 3.0GHz operation. This AnyGate differential logic device will produce all possible logic functions of two Boolean variables. It can be configured as any of the following gates: AND, NAND, OR, NOR, XOR, XNOR, DELAY, NEGATION (NOT). The SY55851A can also function as a 2-input multiplexer.

The SY55851A has an output stage optimized for 50Ω loads.

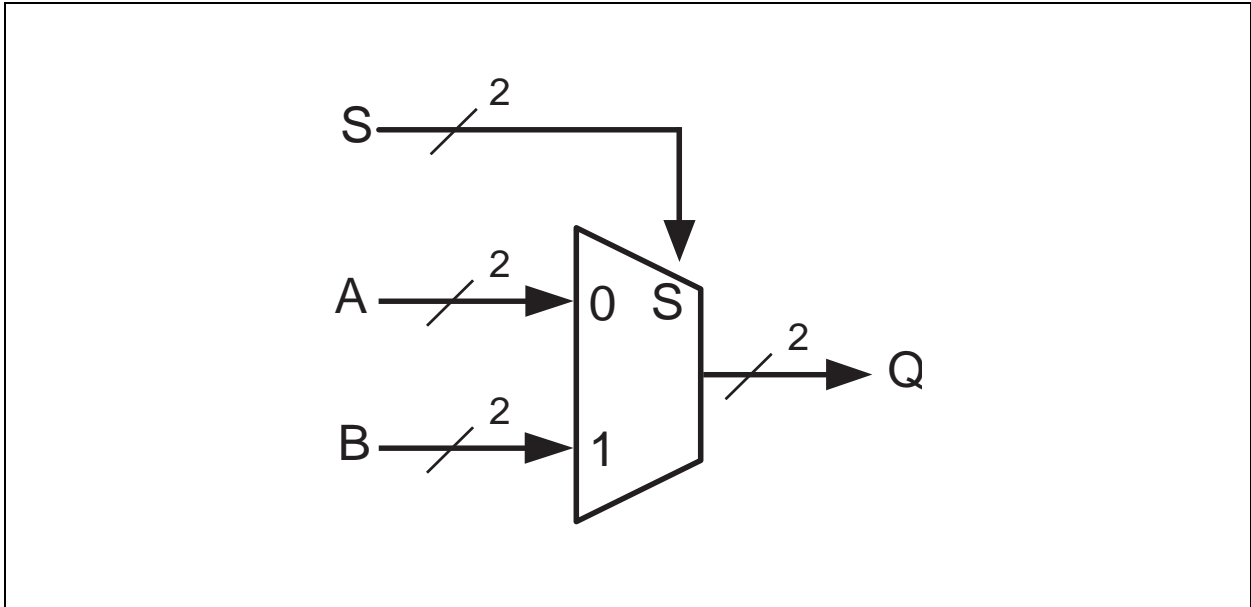
Package Type



SUPERLITE™

SY55851A

Functional Block Diagram



1.0 ELECTRICAL CHARACTERISTICS

Absolute Maximum Ratings †

Supply Voltage, V_{CC} -0.5V to +6.0V
 Input Voltage, V_{IN} -0.5V to $V_{CC} + 0.5V$
 CML Output Voltage, V_{OUT} $V_{CC} - 1.0$ to $V_{CC} + 0.5V$

† **Notice:** Permanent device damage may occur if absolute maximum ratings are exceeded. This is a stress rating only and functional operation is not implied at conditions other than those detailed in the operational sections of this data sheet. Exposure to absolute maximum ratings conditions for extended periods may affect device reliability.

TABLE 1-1: DC CHARACTERISTICS

Electrical Characteristics: $V_{CC} = 2.3V$ to $3.6V$; $GND = 0V$; $T_A = -40^{\circ}C$ to $+85^{\circ}C$ unless otherwise stated (Note 1)						
Parameters	Sym.	Min.	Typ.	Max.	Units	Conditions
Power Supply Voltage	V_{CC}	2.3	—	3.6	V	
Power Supply Current	I_{CC}	—	46	60	mA	No Load
Output High Voltage	V_{OH}	$V_{CC} - 0.040$	$V_{CC} - 0.010$	V_{CC}	V	No Load
Output Low Voltage	V_{OL}	$V_{CC} - 1.000$	$V_{CC} - 0.800$	$V_{CC} - 0.650$	V	No Load
Output Voltage Swing (Note 2)	V_{OUT}	—	0.400	—	V	
Output Source Impedance	R_{OUT}	40	50	60	Ω	
Input High Voltage	V_{IH}	1.6	—	V_{CC}	V	
Input Low Voltage	V_{IL}	1.5	—	$V_{CC} - 0.1$	V	
Differential Input Voltage	V_{ID}	100	—	—	mV	

Note 1: Devices are designed to meet the DC specifications shown in the above table after thermal equilibration has been established. The circuit is in a test socket or mounted on a printed circuit board and transverse airflow greater than 500lfpm is maintained.

2: Outputs are terminated through a 100 Ω resistor across Q and /Q. See Figure 6-1.

TABLE 1-2: AC ELECTRICAL CHARACTERISTICS

Electrical Characteristics: $V_{CC} = 2.3V$ to $3.6V$; $GND = 0V$; $T_A = -40^{\circ}C$ to $85^{\circ}C$, unless otherwise stated (Note 1, Note 2)						
Parameter	Symbol	Min.	Typ.	Max.	Units	Condition
Maximum Operating Frequency	f_{MAX}	3.0	—	—	GHz	
Propagation Delay (A,B,S to Q)	t_{PD}	130	—	280	ps	
Output Rise/Fall Time Q (20% to 80%)	t_r, t_f	—	65	100	ps	

Note 1: Specification for packaged product only.

2: Outputs are terminated through a 100 Ω resistor across Q and /Q. See Figure 6-1.

SUPERLITE™

SY55851A

TABLE 1-3: TEMPERATURE SPECIFICATIONS

Parameters	Sym.	Min.	Typ.	Max.	Units	Conditions
Temperature Ranges						
Operating Temperature Range	T_A	-40	—	+85	°C	
Storage Temperature Range	T_S	-65	—	+150	°C	
Lead Temperature	T_{LEAD}	—	—	+260	°C	Soldering, 20s
Thermal Resistances						
Junction-to-Ambient	θ_{JA}	—	113	—	°C/W	Still Air
		—	96	—	°C/W	500lfpm
Junction-to-Case	θ_{JC}	—	42	—	°C/W	

2.0 FUNCTIONAL DESCRIPTION

2.1 Establishing Static Logic Inputs

The true pin of an input pair is internally biased to ground through a 75kΩ resistor. The complement pin of an input pair is internally biased to $V_{CC}/2$ through an internal voltage divider consisting of two 75kΩ resistors. Since some logic functions necessitate an output to be connected to two inputs, SY55851A inputs have no internal terminations. For typical terminations see [Section 5.0, Input Interface Applications](#).

To keep an input at static logic zero at $V_{CC} \geq 3.0V$, leave both inputs unconnected or tie the complement input to V_{CC} . For $V_{CC} < 3.0V$ applications, connect the complement input to V_{CC} and leave the true input unconnected. These are the only safe ways to cause inputs to be at a static value. In particular, no input pin should be directly connected to ground. All NC (No Connect) pins should be unconnected.

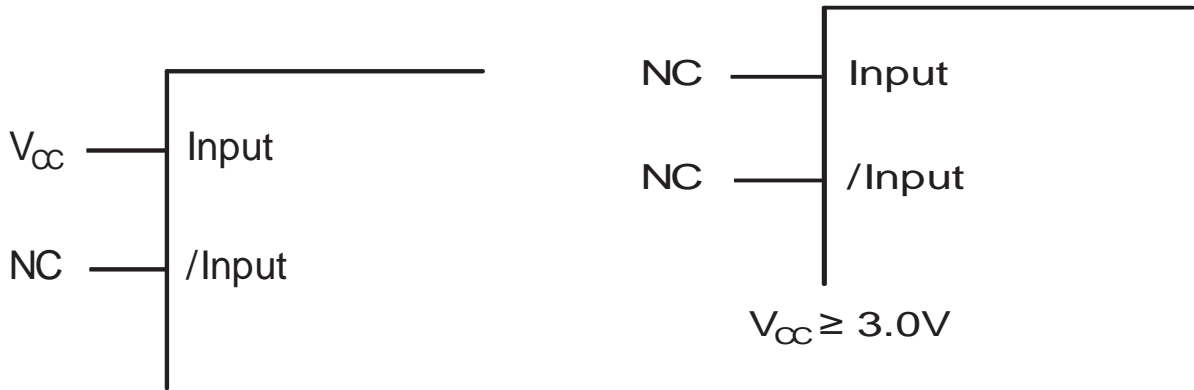


FIGURE 2-1: Hard Wiring a Logic "1" (1)

Note 1: Input is either A, B, S input, and /Input is either /A, /B, /S input.

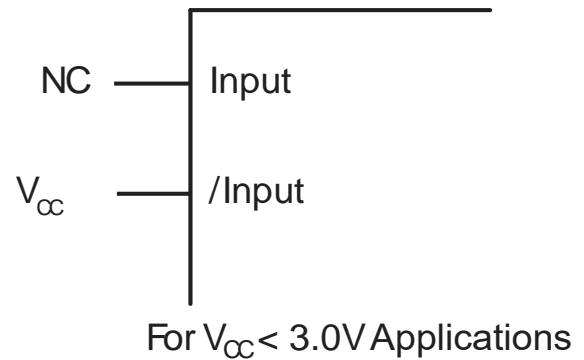
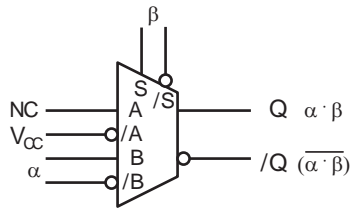


FIGURE 2-2: Hard Wiring a Logic "0" (1)

SUPERLITE™

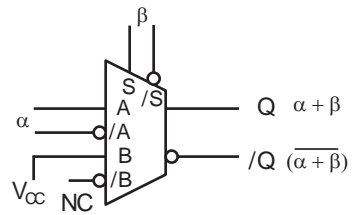
SY55851A

3.0 TRUTH TABLES



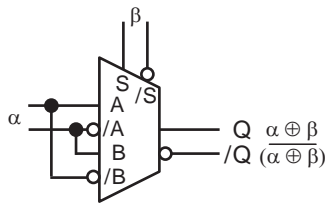
AND/NAND

A	α B	β S	$\alpha \cdot \beta$ Q	$\overline{(\alpha \cdot \beta)}$ /Q
L	L	L	L	H
L	H	L	L	H
L	L	H	L	H
L	H	H	H	L



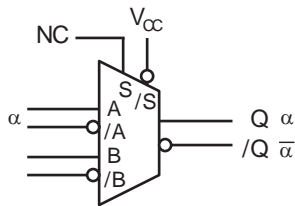
OR/NOR

α A	B	β S	$\alpha + \beta$ Q	$\overline{\alpha + \beta}$ /Q
L	H	L	L	H
H	H	L	H	L
L	H	H	H	L
H	H	H	H	L



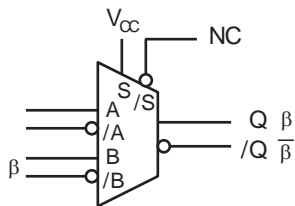
XOR/XNOR

α A	B	β S	$\alpha \oplus \beta$ Q	$\overline{\alpha \oplus \beta}$ /Q
L	H	L	L	H
L	H	H	H	L
H	L	L	H	L
H	L	H	L	H

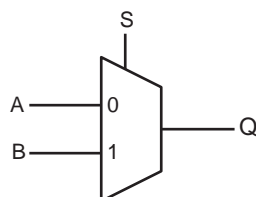


DELAY/NEGATION

α A	B	S	α Q	$\bar{\alpha}$ /Q
L	X	L	L	H
H	X	L	H	L



A	β B	S	β Q	$\bar{\beta}$ /Q
X	L	H	L	H
X	H	H	H	L



2:1 MUX

S	Q	/Q
H	B	/B
L	A	/A

4.0 PIN DESCRIPTIONS

The descriptions of the pins are listed in [Table 4-1](#).

TABLE 4-1: PIN FUNCTION TABLE

Pin Number	Symbol	Description
1, 2	S, /S	CML, LVPECL, LVTTTL Input Selector: This is one of the differential inputs to the logic block. It represents either one Boolean input for a 2-variable logic function, or the select input for a 2-input MUX. See Section 5.0, Input Interface Applications .
3, 4	A, /A	CML, LVPECL Input: This is one of the differential inputs to the logic block. For a 2-variable logic function, it is either a constant value or a Boolean input. For a 2-input MUX, this signal represents the output when S is set to logic zero. See Section 5.0, Input Interface Applications .
5	GND	Negative Supply Voltage
6, 7	/Q, Q	Differential CML Output: This is the differential CML output for the logic block. See Section 6.0, CML Output Termination .
8, 9	B, /B	CML, LVPECL Input: This is one of the differential inputs to the logic block. For a 2-variable logic function, it is either a constant value or a Boolean input. For a 2-input MUX, this signal represents the output when S is set to logic one. See Section 5.0, Input Interface Applications .
10	VCC	Positive Supply Voltage

5.0 INPUT INTERFACE APPLICATIONS

All inputs to the SY55851A must be externally terminated. All inputs accept the output from any other member of this family.

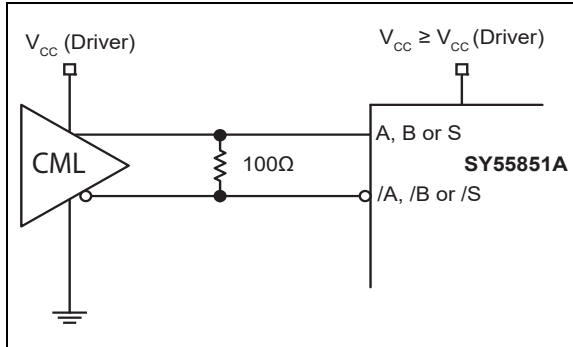


FIGURE 5-1: CML-DC Coupled.

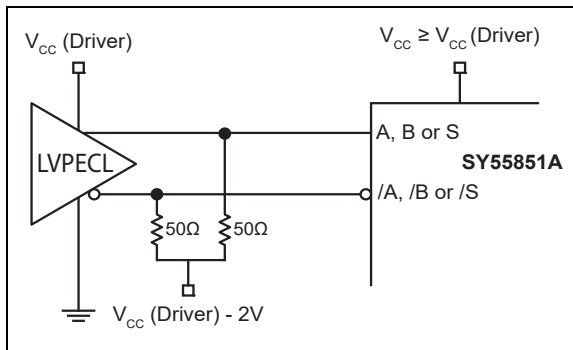


FIGURE 5-2: LVPECL-DC Coupled (1)

Note 1: $V_{CC}(\text{Driver})$ and $V_{CC} \geq 3V$

6.0 CML OUTPUT TERMINATION

All outputs are source terminated 50Ω CML differential drivers as shown in Figure 6-1 below.

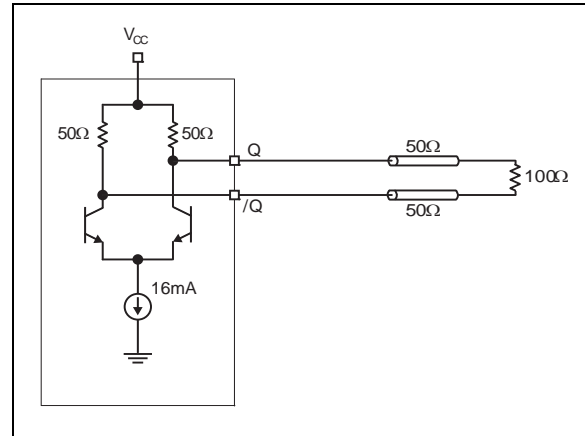


FIGURE 6-1: Differentially Terminated (50Ω Load CML Output).

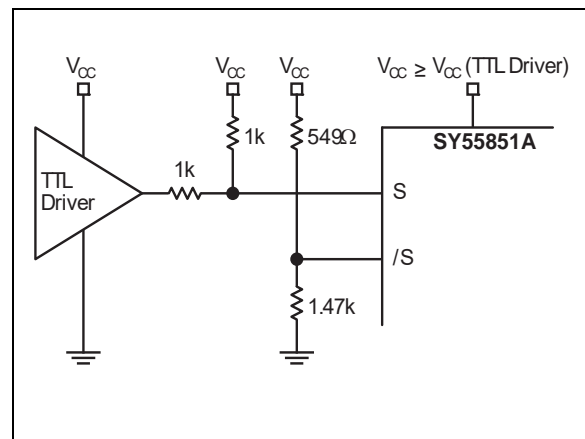
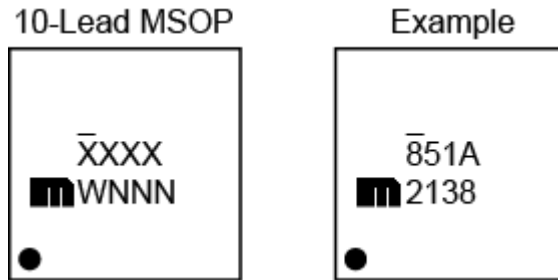


FIGURE 6-2: Interfacing TTL-to-CML Select Inputs.

7.0 PACKAGING INFORMATION

7.1 Package Marking Information



Legend:	XX...X	Product code or customer-specific information
	Y	Year code (last digit of calendar year)
	YY	Year code (last 2 digits of calendar year)
	WW	Week code (week of January 1 is week '01')
	NNN	Alphanumeric traceability code
	(e3)	Pb-free JEDEC® designator for Matte Tin (Sn)
	*	This package is Pb-free. The Pb-free JEDEC designator (e3) can be found on the outer packaging for this package.
	•, ▲, ▼	Pin one index is identified by a dot, delta up, or delta down (triangle mark).
Note:	In the event the full Microchip part number cannot be marked on one line, it will be carried over to the next line, thus limiting the number of available characters for customer-specific information. Package may or may not include the corporate logo.	
	Underbar (¯) and/or Overbar (¯) symbol may not be to scale.	

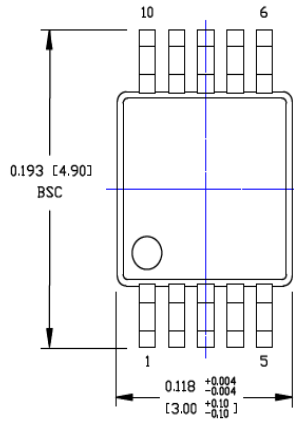
SUPERLITE™

SY55851A

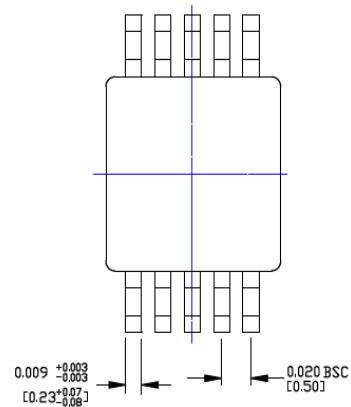
10-Lead MSOP Package Outline and Recommended Land Pattern

Note: For the most current package drawings, please see the Microchip Packaging Specification located at <http://www.microchip.com/packaging>

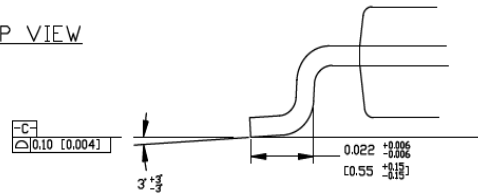
DRAWING #	MSOP-10LD-PL-1	UNIT	INCH [MM]
-----------	----------------	------	-----------



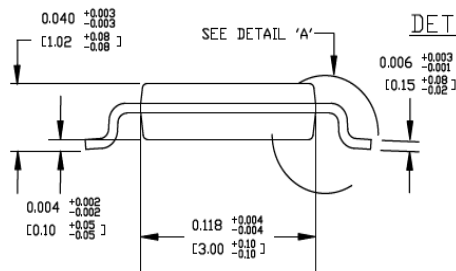
TOP VIEW



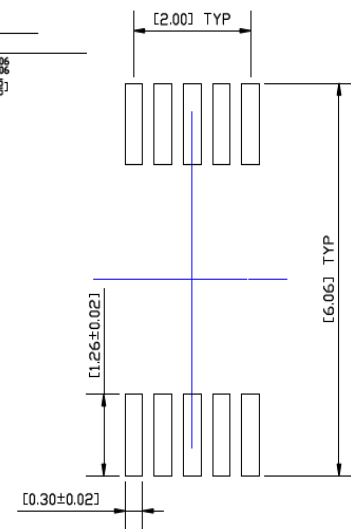
BOTTOM VIEW



DETAIL A



SIDE VIEW



RECOMMENDED LAND PATTERN

NOTES:

1. DIMENSIONS ARE INCHES [MM].
2. CONTROLLING DIMENSION: MM
3. DIMENSION DOES NOT INCLUDE MOLD FLASH OR PROTRUSIONS, EITHER OF WHICH SHALL NOT EXCEED 0.008 [0.20] PER SIDE.

APPENDIX A: REVISION HISTORY

Revision A (February 2019)

- Converted Micrel document M999-072909 to Microchip data sheet template DS20006135A.
- Minor text changes throughout.

SUPERLITE™ SY55851A

NOTES:

SUPERLITE™

SY55851A

PRODUCT IDENTIFICATION SYSTEM

To order or obtain information, e.g., on pricing or delivery, contact your local Microchip representative or sales office.

<u>PART NO.</u>	X	X	X	X	XX
Device	Feature	Supply Voltage Range	Package	Junction Temperature Range	Special Processing
Device:	SY55851:	2.5V/3.3V, 3.0 GHz CML AnyGate® Any Logic with 50Ω Outputs			
Feature:	A	=	Optimized for 50Ω Loads		
Supply Voltage Range:	U	=	2.5V/3.3V		
Package:	K	=	10-Lead MSOP		
Temperature Range:	G	=	−40°C to +85°C (NiPdAu Lead Free)		
Special Processing:	<blank>	=	100/Tube		
	TR	=	1,000/Reel		

Examples:

- a) SY55851AUKG:
SY55851, Optimized for 50Ω Loads, 2.5V/3.3V Output Voltage, 10-Lead MSOP, −40°C to +85°C Junction Temperature Range, 100/Tube
- b) SY55851AUKGTR:
SY55851, Optimized for 50Ω Loads, 2.5V/3.3V Output Voltage, 10-Lead MSOP, −40°C to +85°C Junction Temperature Range, 1,000/Reel

Note 1: Tape and Reel identifier only appears in the catalog part number description. This identifier is used for ordering purposes and is not printed on the device package. Check with your Microchip Sales Office for package availability with the Tape and Reel option.

SUPERLITE™ SY55851A

NOTES:

Note the following details of the code protection feature on Microchip devices:

- Microchip products meet the specification contained in their particular Microchip Data Sheet.
- Microchip believes that its family of products is one of the most secure families of its kind on the market today, when used in the intended manner and under normal conditions.
- There are dishonest and possibly illegal methods used to breach the code protection feature. All of these methods, to our knowledge, require using the Microchip products in a manner outside the operating specifications contained in Microchip's Data Sheets. Most likely, the person doing so is engaged in theft of intellectual property.
- Microchip is willing to work with the customer who is concerned about the integrity of their code.
- Neither Microchip nor any other semiconductor manufacturer can guarantee the security of their code. Code protection does not mean that we are guaranteeing the product as “unbreakable.”

Code protection is constantly evolving. We at Microchip are committed to continuously improving the code protection features of our products. Attempts to break Microchip's code protection feature may be a violation of the Digital Millennium Copyright Act. If such acts allow unauthorized access to your software or other copyrighted work, you may have a right to sue for relief under that Act.

Information contained in this publication regarding device applications and the like is provided only for your convenience and may be superseded by updates. It is your responsibility to ensure that your application meets with your specifications. MICROCHIP MAKES NO REPRESENTATIONS OR WARRANTIES OF ANY KIND WHETHER EXPRESS OR IMPLIED, WRITTEN OR ORAL, STATUTORY OR OTHERWISE, RELATED TO THE INFORMATION, INCLUDING BUT NOT LIMITED TO ITS CONDITION, QUALITY, PERFORMANCE, MERCHANTABILITY OR FITNESS FOR PURPOSE. Microchip disclaims all liability arising from this information and its use. Use of Microchip devices in life support and/or safety applications is entirely at the buyer's risk, and the buyer agrees to defend, indemnify and hold harmless Microchip from any and all damages, claims, suits, or expenses resulting from such use. No licenses are conveyed, implicitly or otherwise, under any Microchip intellectual property rights unless otherwise stated.

Microchip received ISO/TS-16949:2009 certification for its worldwide headquarters, design and wafer fabrication facilities in Chandler and Tempe, Arizona; Gresham, Oregon and design centers in California and India. The Company's quality system processes and procedures are for its PIC® MCUs and dsPIC® DSCs, KEELOQ® code hopping devices, Serial EEPROMs, microperipherals, nonvolatile memory and analog products. In addition, Microchip's quality system for the design and manufacture of development systems is ISO 9001:2000 certified.

**QUALITY MANAGEMENT SYSTEM
CERTIFIED BY DNV
= ISO/TS 16949 =**

Trademarks

The Microchip name and logo, the Microchip logo, AnyRate, AVR, AVR logo, AVR Freaks, BitCloud, chipKIT, chipKIT logo, CryptoMemory, CryptoRF, dsPIC, FlashFlex, flexPWR, Helder, JukeBlox, KeeLoq, Kleer, LANCheck, LINK MD, maXStylus, maXTouch, MediaLB, megaAVR, MOST, MOST logo, MPLAB, OptoLyzer, PIC, picoPower, PICSTART, PIC32 logo, Prochip Designer, QTouch, SAM-BA, SpyNIC, SST, SST Logo, SuperFlash, tinyAVR, UNI/O, and XMEGA are registered trademarks of Microchip Technology Incorporated in the U.S.A. and other countries.

ClockWorks, The Embedded Control Solutions Company, EtherSynch, Hyper Speed Control, HyperLight Load, IntellIMOS, mTouch, Precision Edge, and Quiet-Wire are registered trademarks of Microchip Technology Incorporated in the U.S.A.

Adjacent Key Suppression, AKS, Analog-for-the-Digital Age, Any Capacitor, AnyIn, AnyOut, BodyCom, CodeGuard, CryptoAuthentication, CryptoAutomotive, CryptoCompanion, CryptoController, dsPICDEM, dsPICDEM.net, Dynamic Average Matching, DAM, ECAN, EtherGREEN, In-Circuit Serial Programming, ICSP, INICnet, Inter-Chip Connectivity, JitterBlocker, KleerNet, KleerNet logo, memBrain, Mindi, MiWi, motorBench, MPASM, MPF, MPLAB Certified logo, MPLIB, MPLINK, MultiTRAK, NetDetach, Omniscient Code Generation, PICDEM, PICDEM.net, PICKit, PICtail, PowerSmart, PureSilicon, QMatrix, REAL ICE, Ripple Blocker, SAM-ICE, Serial Quad I/O, SMART-I.S., SQI, SuperSwitcher, SuperSwitcher II, Total Endurance, TSHARC, USBCheck, VariSense, ViewSpan, WiperLock, Wireless DNA, and ZENA are trademarks of Microchip Technology Incorporated in the U.S.A. and other countries.

SQTP is a service mark of Microchip Technology Incorporated in the U.S.A.

Silicon Storage Technology is a registered trademark of Microchip Technology Inc. in other countries.

GestIC is a registered trademark of Microchip Technology Germany II GmbH & Co. KG, a subsidiary of Microchip Technology Inc., in other countries.

All other trademarks mentioned herein are property of their respective companies.

© 2019, Microchip Technology Incorporated, All Rights Reserved.
ISBN: 978-1-5224-4128-1



MICROCHIP

Worldwide Sales and Service

AMERICAS

Corporate Office
2355 West Chandler Blvd.
Chandler, AZ 85224-6199
Tel: 480-792-7200
Fax: 480-792-7277
Technical Support:
<http://www.microchip.com/support>
Web Address:
www.microchip.com

Atlanta

Duluth, GA
Tel: 678-957-9614
Fax: 678-957-1455

Austin, TX

Tel: 512-257-3370

Boston

Westborough, MA
Tel: 774-760-0087
Fax: 774-760-0088

Chicago

Itasca, IL
Tel: 630-285-0071
Fax: 630-285-0075

Dallas

Addison, TX
Tel: 972-818-7423
Fax: 972-818-2924

Detroit

Novi, MI
Tel: 248-848-4000

Houston, TX

Tel: 281-894-5983

Indianapolis

Noblesville, IN
Tel: 317-773-8323
Fax: 317-773-5453
Tel: 317-536-2380

Los Angeles

Mission Viejo, CA
Tel: 949-462-9523
Fax: 949-462-9608
Tel: 951-273-7800

Raleigh, NC

Tel: 919-844-7510

New York, NY

Tel: 631-435-6000

San Jose, CA

Tel: 408-735-9110
Tel: 408-436-4270

Canada - Toronto

Tel: 905-695-1980
Fax: 905-695-2078

ASIA/PACIFIC

Australia - Sydney
Tel: 61-2-9868-6733

China - Beijing
Tel: 86-10-8569-7000

China - Chengdu
Tel: 86-28-8665-5511

China - Chongqing
Tel: 86-23-8980-9588

China - Dongguan
Tel: 86-769-8702-9880

China - Guangzhou
Tel: 86-20-8755-8029

China - Hangzhou
Tel: 86-571-8792-8115

China - Hong Kong SAR
Tel: 852-2943-5100

China - Nanjing
Tel: 86-25-8473-2460

China - Qingdao
Tel: 86-532-8502-7355

China - Shanghai
Tel: 86-21-3326-8000

China - Shenyang
Tel: 86-24-2334-2829

China - Shenzhen
Tel: 86-755-8864-2200

China - Suzhou
Tel: 86-186-6233-1526

China - Wuhan
Tel: 86-27-5980-5300

China - Xian
Tel: 86-29-8833-7252

China - Xiamen
Tel: 86-592-2388138

China - Zhuhai
Tel: 86-756-3210040

ASIA/PACIFIC

India - Bangalore
Tel: 91-80-3090-4444

India - New Delhi
Tel: 91-11-4160-8631

India - Pune
Tel: 91-20-4121-0141

Japan - Osaka
Tel: 81-6-6152-7160

Japan - Tokyo
Tel: 81-3-6880-3770

Korea - Daegu
Tel: 82-53-744-4301

Korea - Seoul
Tel: 82-2-554-7200

Malaysia - Kuala Lumpur
Tel: 60-3-7651-7906

Malaysia - Penang
Tel: 60-4-227-8870

Philippines - Manila
Tel: 63-2-634-9065

Singapore
Tel: 65-6334-8870

Taiwan - Hsin Chu
Tel: 886-3-577-8366

Taiwan - Kaohsiung
Tel: 886-7-213-7830

Taiwan - Taipei
Tel: 886-2-2508-8600

Thailand - Bangkok
Tel: 66-2-694-1351

Vietnam - Ho Chi Minh
Tel: 84-28-5448-2100

EUROPE

Austria - Wels
Tel: 43-7242-2244-39
Fax: 43-7242-2244-393

Denmark - Copenhagen
Tel: 45-4450-2828
Fax: 45-4485-2829

Finland - Espoo
Tel: 358-9-4520-820

France - Paris
Tel: 33-1-69-53-63-20
Fax: 33-1-69-30-90-79

Germany - Garching
Tel: 49-8931-9700

Germany - Haan
Tel: 49-2129-3766400

Germany - Heilbronn
Tel: 49-7131-67-3636

Germany - Karlsruhe
Tel: 49-721-625370

Germany - Munich
Tel: 49-89-627-144-0
Fax: 49-89-627-144-44

Germany - Rosenheim
Tel: 49-8031-354-560

Israel - Ra'anana
Tel: 972-9-744-7705

Italy - Milan
Tel: 39-0331-742611
Fax: 39-0331-466781

Italy - Padova
Tel: 39-049-7625286

Netherlands - Drunen
Tel: 31-416-690399
Fax: 31-416-690340

Norway - Trondheim
Tel: 47-7288-4388

Poland - Warsaw
Tel: 48-22-3325737

Romania - Bucharest
Tel: 40-21-407-87-50

Spain - Madrid
Tel: 34-91-708-08-90
Fax: 34-91-708-08-91

Sweden - Gothenberg
Tel: 46-31-704-60-40

Sweden - Stockholm
Tel: 46-8-5090-4654

UK - Wokingham
Tel: 44-118-921-5800
Fax: 44-118-921-5820