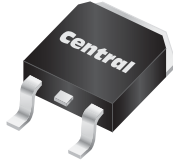


CQDD-16M  
CQDD-16N

SURFACE MOUNT  
16 AMP SILICON TRIACS  
600 THRU 800 VOLT



D<sup>2</sup>PAK CASE



www.centrasemi.com

**DESCRIPTION:**

The CENTRAL SEMICONDUCTOR CQDD-16M series type is an Epoxy Molded Silicon Triac designed for full wave AC control applications featuring gate triggering in all four (4) quadrants.

**MARKING: FULL PART NUMBER**

<b>MAXIMUM RATINGS:</b> ( $T_C=25^\circ\text{C}$ unless otherwise noted)		<b>SYMBOL</b>	<b>CQDD-16M</b>	<b>CQDD-16N</b>	<b>UNITS</b>
Peak Repetitive Off-State Voltage		$V_{DRM}$	600	800	V
RMS On-State Current ( $T_C=90^\circ\text{C}$ )		$I_T(\text{RMS})$		16	A
Peak One Cycle Surge, $t=8.3\text{ms}$		$I_{TSM}$		110	A
$I^2t$ Value for Fusing, $t=8.3\text{ms}$		$I^2t$		50	$\text{A}^2\text{s}$
Peak Gate Power, $t_p=10\mu\text{s}$		$P_{GM}$		40	W
Average Gate Power Dissipation		$P_{G(AV)}$		1.0	W
Peak Gate Current, $t_p=10\mu\text{s}$		$I_{GM}$		6.0	A
Peak Gate Voltage, $t_p=10\mu\text{s}$		$V_{GM}$		16	V
Critical Rate of Rise of On-State Current Repetitive, $f=60\text{Hz}$		$di/dt$		10	$\text{A}/\mu\text{s}$
Operating Junction Temperature		$T_J$	-40 to +125		$^\circ\text{C}$
Storage Temperature		$T_{stg}$	-40 to +150		$^\circ\text{C}$
Thermal Resistance		$\Theta_{JA}$		60	$^\circ\text{C}/\text{W}$
Thermal Resistance		$\Theta_{JC}$		2.3	$^\circ\text{C}/\text{W}$

**ELECTRICAL CHARACTERISTICS:** ( $T_C=25^\circ\text{C}$  unless otherwise noted)

<b>SYMBOL</b>	<b>TEST CONDITIONS</b>	<b>MIN</b>	<b>TYP</b>	<b>MAX</b>	<b>UNITS</b>
$I_{DRM}$	Rated $V_{DRM}$			10	$\mu\text{A}$
$I_{DRM}$	Rated $V_{DRM}$ , $T_C=125^\circ\text{C}$			2.0	mA
$I_{GT}$	$V_D=12\text{V}$ , $R_L=10\Omega$ , QUAD I, II, III		10.9	25	mA
$I_{GT}$	$V_D=12\text{V}$ , $R_L=10\Omega$ , QUAD IV		55.2	75	mA
$I_H$	$I_T=100\text{mA}$		9.8	25	mA
$V_{GT}$	$V_D=12\text{V}$ , $R_L=10\Omega$ , QUAD I, II, III		0.97	1.50	V
$V_{GT}$	$V_D=12\text{V}$ , $R_L=10\Omega$ , QUAD IV		1.51	2.50	V
$V_{TM}$	$I_{TM}=22.5\text{A}$ , $t_p=380\mu\text{s}$		1.35	1.60	V
$dv/dt$	$V_D=2/3 V_{DRM}$ , $R_{GK}=\infty$ , $T_C=125^\circ\text{C}$	10			$\text{V}/\mu\text{s}$

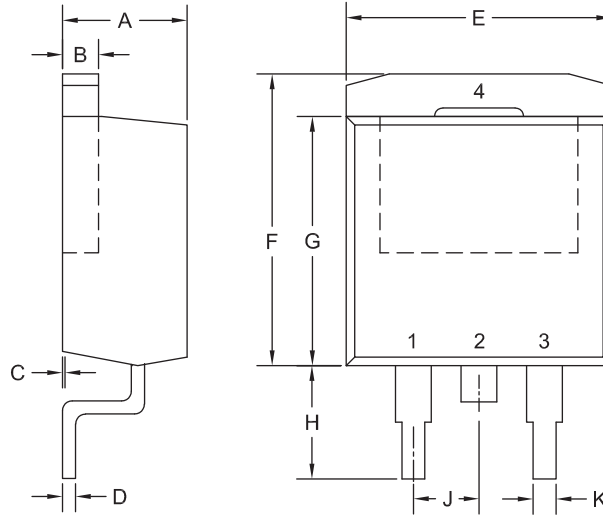
R3 (11-January 2018)

CQDD-16M  
CQDD-16N

SURFACE MOUNT  
16 AMP SILICON TRIACS  
600 THRU 800 VOLT



D<sup>2</sup>PAK CASE - MECHANICAL OUTLINE



R3

**LEAD CODE:**

- 1) MT1
- 2) MT2
- 3) Gate
- 4) MT2

**MARKING:**

**FULL PART NUMBER**

SYMBOL	DIMENSIONS			
	INCHES		MILLIMETERS	
	MIN	MAX	MIN	MAX
A	0.163	0.189	4.14	4.80
B	0.045	0.055	1.14	1.40
C	0.000	0.010	0.00	0.25
D	0.012	0.028	0.30	0.70
E	0.386	0.415	9.80	10.55
F	0.378	0.417	9.60	10.60
G	0.335	0.358	8.50	9.10
H	0.188	0.236	4.78	6.00
J	0.093	0.108	2.35	2.75
K	0.030	0.035	0.75	0.90

D2PAK (REV: R3)

R3 (11-January 2018)

## OUTSTANDING SUPPORT AND SUPERIOR SERVICES



---

### PRODUCT SUPPORT

Central's operations team provides the highest level of support to insure product is delivered on-time.

- Supply management (Customer portals)
- Inventory bonding
- Consolidated shipping options
- Custom bar coding for shipments
- Custom product packing

---

### DESIGNER SUPPORT/SERVICES

Central's applications engineering team is ready to discuss your design challenges. Just ask.

- Free quick ship samples (2<sup>nd</sup> day air)
- Online technical data and parametric search
- SPICE models
- Custom electrical curves
- Environmental regulation compliance
- Customer specific screening
- Up-screening capabilities
- Special wafer diffusions
- PbSn plating options
- Package details
- Application notes
- Application and design sample kits
- Custom product and package development

---

### REQUESTING PRODUCT PLATING

1. If requesting Tin/Lead plated devices, add the suffix " TIN/LEAD" to the part number when ordering (example: 2N2222A TIN/LEAD).
2. If requesting Lead (Pb) Free plated devices, add the suffix " PBFREE" to the part number when ordering (example: 2N2222A PBFREE).

---

### CONTACT US

#### Corporate Headquarters & Customer Support Team

Central Semiconductor Corp.  
145 Adams Avenue  
Hauppauge, NY 11788 USA  
Main Tel: (631) 435-1110  
Main Fax: (631) 435-1824  
Support Team Fax: (631) 435-3388  
[www.centrasemi.com](http://www.centrasemi.com)

**Worldwide Field Representatives:**  
[www.centrasemi.com/wwreps](http://www.centrasemi.com/wwreps)

**Worldwide Distributors:**  
[www.centrasemi.com/wwdistributors](http://www.centrasemi.com/wwdistributors)

---

For the latest version of Central Semiconductor's **LIMITATIONS AND DAMAGES DISCLAIMER**, which is part of Central's Standard Terms and Conditions of sale, visit: [www.centrasemi.com/terms](http://www.centrasemi.com/terms)

# Product End of Life Notification

<b>PDN ID:</b>	PDN01108
<b>Notification Date:</b>	3/21/19
<b>Last Buy Date:</b>	9/21/19
<b>Last Shipment Date</b>	3/21/20

Summary: All Thyristors manufactured in the DPAK and D2PAK packages are discontinued and now classified as End of Life (EOL).

Although Central Semiconductor Corp. makes every effort to continue to produce devices that have been proclaimed EOL (End of Life) by other manufacturers, it is an accepted industry practice to discontinue certain devices when customer demand falls below a minimum level of sustainability. Accordingly, the following product(s) have been transitioned to End of Life status as part of Central's ongoing Product Management Process. Any replacement products are noted below. The effective date for placing last purchase orders will be six (6) months from the date of this notice and twelve (12) months from the notice date for final shipments, and minimum order quantities may apply. The last purchase and shipment dates may be extended if inventory is available.

<b>Central Part Number</b>	<b>Replacement</b>
CQD-4M BK	N/A, Stock Only
CQD-4M TR13	N/A, Stock Only
CQDD-16M BK	N/A, Stock Only
CQDD-16M TR13	N/A, Stock Only
CQDD-25M BK	N/A, Stock Only
CQDD-25M TR13	N/A, Stock Only
CSDD-12N BK	N/A, Stock Only
CSDD-12N TR13	N/A, Stock Only
CSDD-16M BK	N/A, Stock Only
CSDD-16M TR13	N/A, Stock Only
CSDD-25M BK	N/A, Stock Only
CSDD-25M TR13	N/A, Stock Only

Central would be happy to assist you by providing additional information or technical data to help locate an alternate source if we have no replacement available. Please email your requests to [engineering@centralsemi.com](mailto:engineering@centralsemi.com).

**DISCLAIMER:** This End of Life (EOL) notification is in accordance with JEDEC standard JESD48 - Product Discontinuance. Central Semiconductor Corp. will make every effort to offer life-time buy (LTB) opportunities and/or offer replacement devices to existing customers for discontinued devices, however, one or both may not be possible for all devices. Please contact your local Central Semiconductor sales representative for LTB opportunities/additional information.