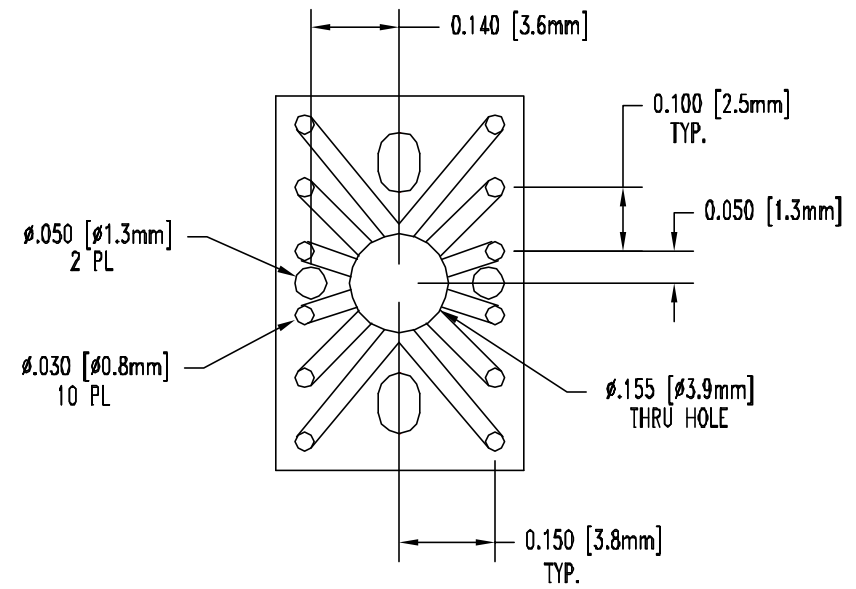
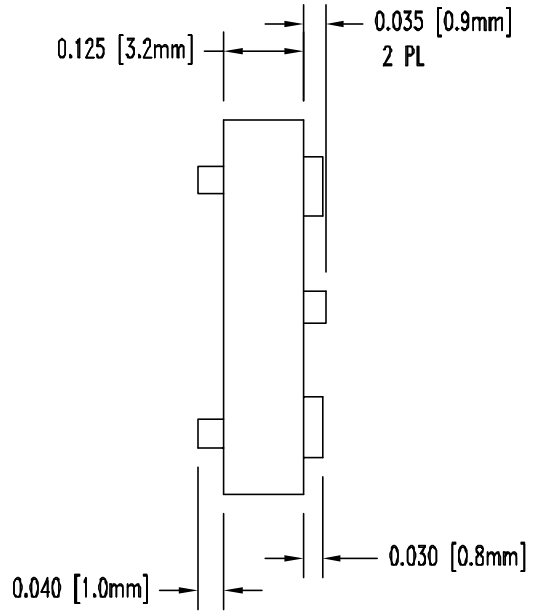
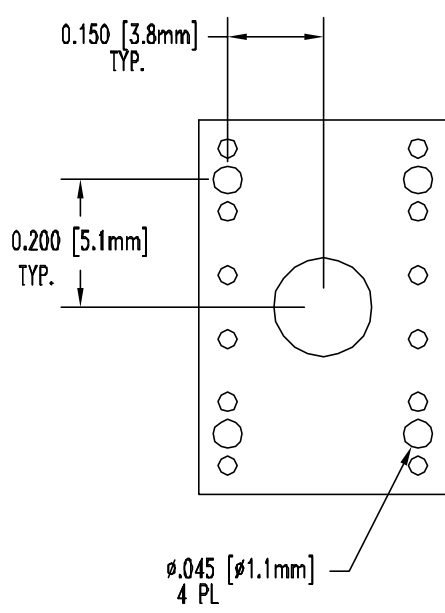



REV	DESCRIPTION	DATE	APPROVED
A	ENGINEERING RELEASE.	05/30/03	MC



2. MATERIAL: NYLON 6/6, 94V-2, NATURAL. (0% REGRIND ALLOWED)  
 BASF ULTRAMID NYLON 6/6 A3K NATURAL. BIVAR MATERIAL CODE 03-NL.
1. GENERAL SPECIFICATIONS: BIVAR MOLDED COMPONENT SPECIFICATION BV00-E101.

UNLESS OTHERWISE SPECIFIED: DIMENSIONS ARE IN INCHES		 <b>4 THOMAS, IRVINE, CA.92618</b> TEL: (949) 961-8808 FAX: (949) 961-3874	
TOLERANCES			
DECIMALS	ANGULAR	PART NAME: IC SPREADER 10 PIN SIZE A DWG NAME DWG NO. 812-187 REV A SCALE 1=1 CAGE CODE 32559 SHEET 1 OF 1	
.X ± .1	° ± 1°		
.XX ± .01			
.XXX ± .005			
DESIGNER	DATE		
DAVID GREEN	05/30/03		
CHECKER	DATE		
M CHEN	05/30/03		