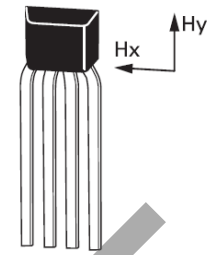


Description

The ZMZ20 is an extremely sensitive magnetic field sensor in a 4 pin E-Line package employing the magneto-resistive effects of thin film Permalloy. It allows the measurement of magnetic fields or the detection of metallic parts. The sensor consists of a chip covered with Permalloy stripes which form a Wheatstone bridge, whose output voltage is proportional to the magnetic field component H_y . A perpendicular field H_x is necessary to suppress the hysteresis and this can be provided by using a small permanent magnet.



Features

- Output voltage proportional to magnetic field H_y
 - Adjustment of sensitivity and suppression of hysteresis by the auxiliary magnetic field H_x
 - Magnetic fields vertical to the chip level are not effective
 - **For automotive applications requiring specific change control (i.e. parts qualified to AEC-Q100/101/200, PPAP capable, and manufactured in IATF 16949 certified facilities), please [contact us](https://www.diodes.com/quality/product-definitions/) or your local Diodes representative.**
- <https://www.diodes.com/quality/product-definitions/>

Applications

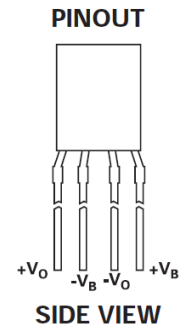
- Linear position sensors for process control, door interlocks, proximity detectors, machine tool sensing
- Scalar measurement for compassing
- Automotive - door switches, engine position and speed sensing
- Metering of fluids by sensing rotation of impeller
- Traffic counting and vehicle-type sensing
- Measurement of current in a conductor without connection

Ordering Information

DEVICE	BOX
ZMZ20	Bulk in box (2,000 components per box)

Marking Information

- M20



Absolute Maximum Ratings

PARAMETER	SYMBOL	LIMIT	UNIT
Supply voltage	V_B	12	V
Total power dissipation	P_{TOT}	120	mW
Operating temperature range	T_{amb}	-40 to +150	°C

Electrical Characteristics (@ $T_A = +25^\circ\text{C}$ and $H_x=3\text{kA/m}$, unless otherwise stated.)

PARAMETER	SYMBOL	MIN.	TYP.	MAX.	UNIT	CONDITIONS
Bridge resistance	R_{br}	1.2	1.7	2.2	k Ω	
Output voltage range	V_O/V_B	16	20	24	mV/V	
Open circuit sensitivity	S	3.7	4.7	5.7	(mV/V)/(kA/m)	No disturbing field H_d allowed
Hysteresis of output voltage	V_{OH}/V_B	-	-	50	$\mu\text{V/V}$	$H_y = 2\text{kA/m}$
Offset voltage	V_{off}/V_B	-1.0	-	+1.0	mV/V	
Operating frequency	f_{max}	0	-	1	MHz	
Temperature coefficient of offset voltages	TCV_{off}	-3	-	+3	($\mu\text{V/V}$)/K	$T_{amb} = -25$ to $+125^\circ\text{C}$
Temperature coefficient of bridge resistance	TCR_{br}	0.25	0.3	0.35	%/K	$T_{amb} = -25$ to $+125^\circ\text{C}$
Temperature coefficient of open circuit sensitivity $V_B = 5\text{V}$	TCS_V	-0.25	-0.3	-0.35	%/K	$T_{amb} = -25$ to $+125^\circ\text{C}$
Temperature coefficient of open circuit sensitivity $I_B = 3\text{mA}$	TCS_I	-	-0.1	-	%/K	$T_{amb} = -25$ to $+125^\circ\text{C}$

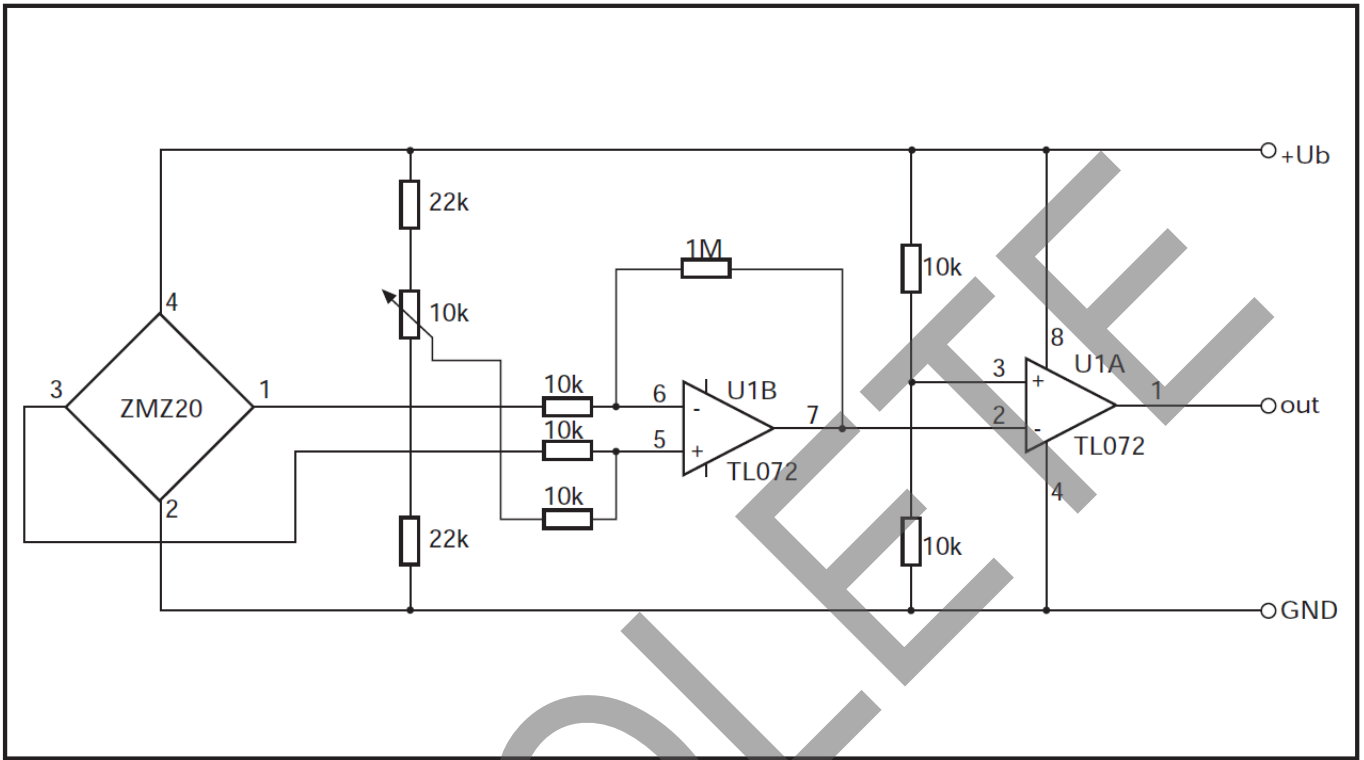
OBSOLETE - PART DISCONTINUED

OBSOLETE

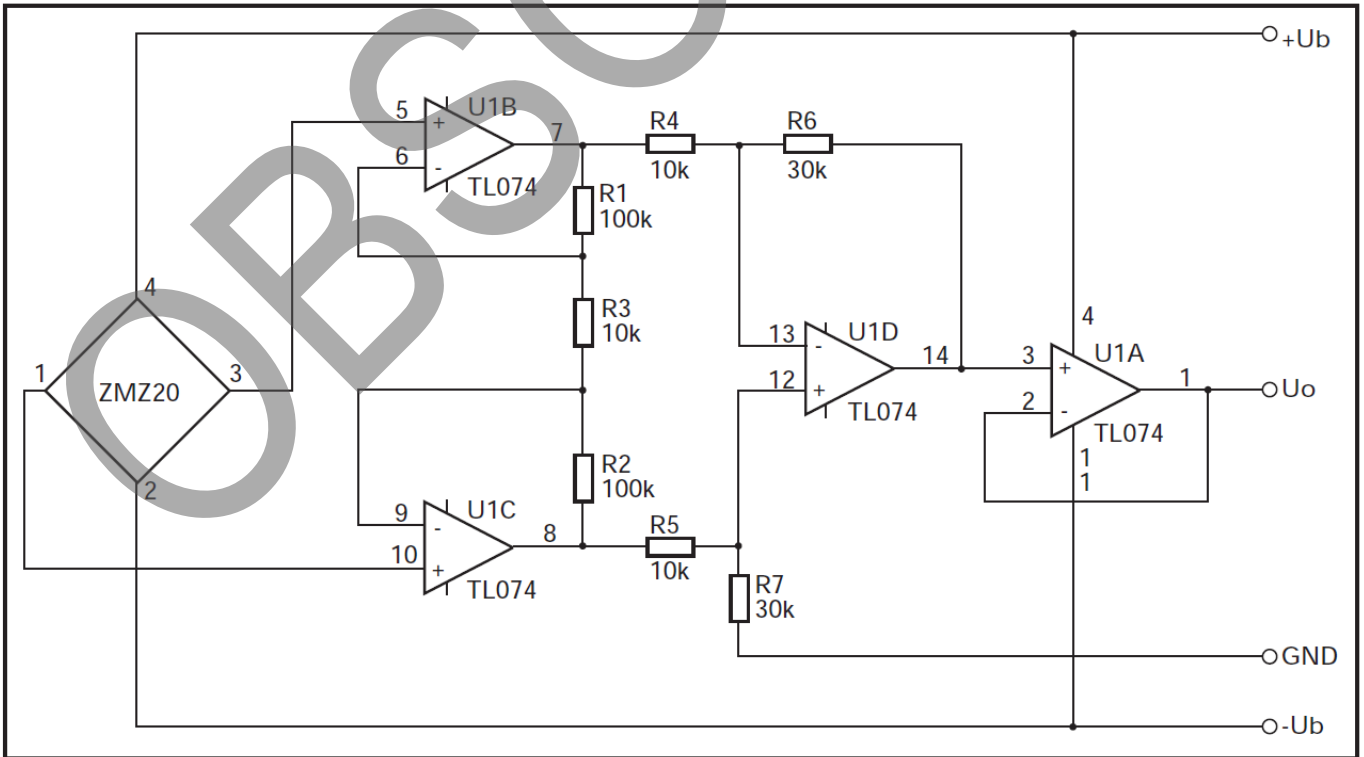
OBSOLETE - PART DISCONTINUED

Typical Applications Circuit

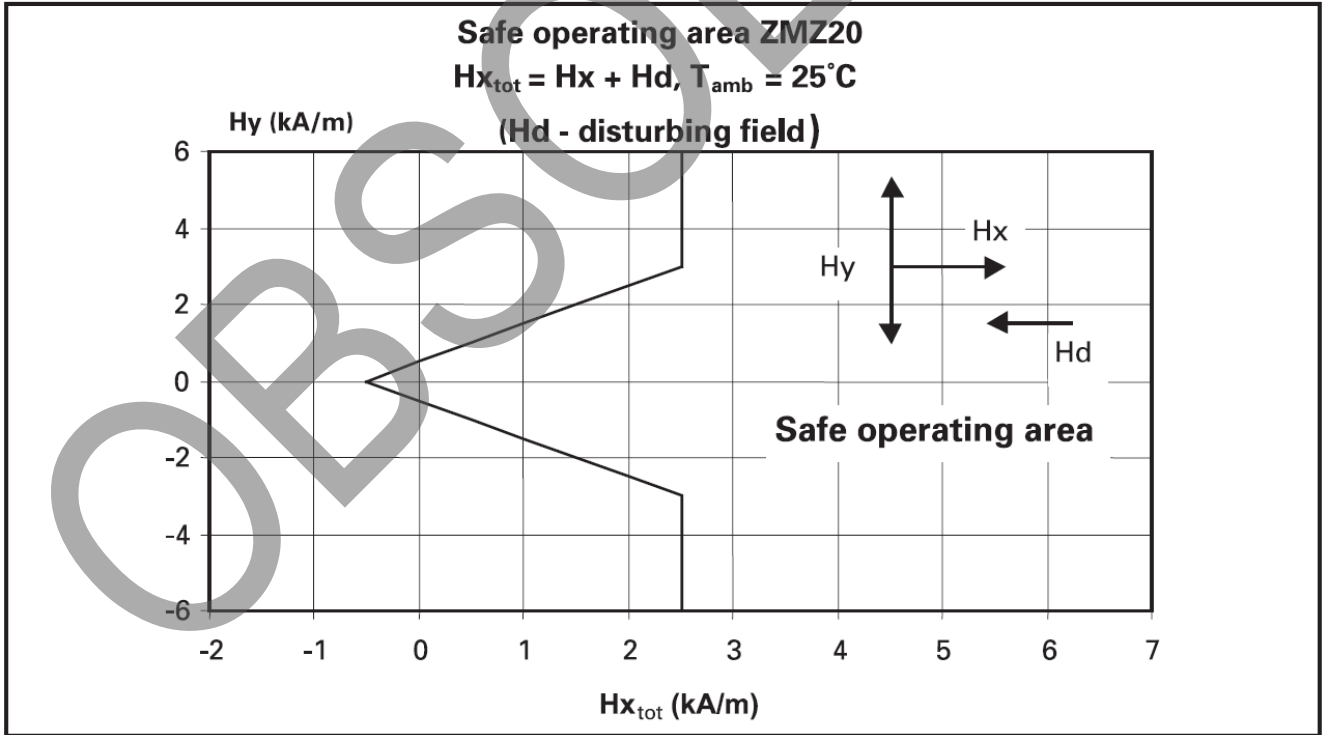
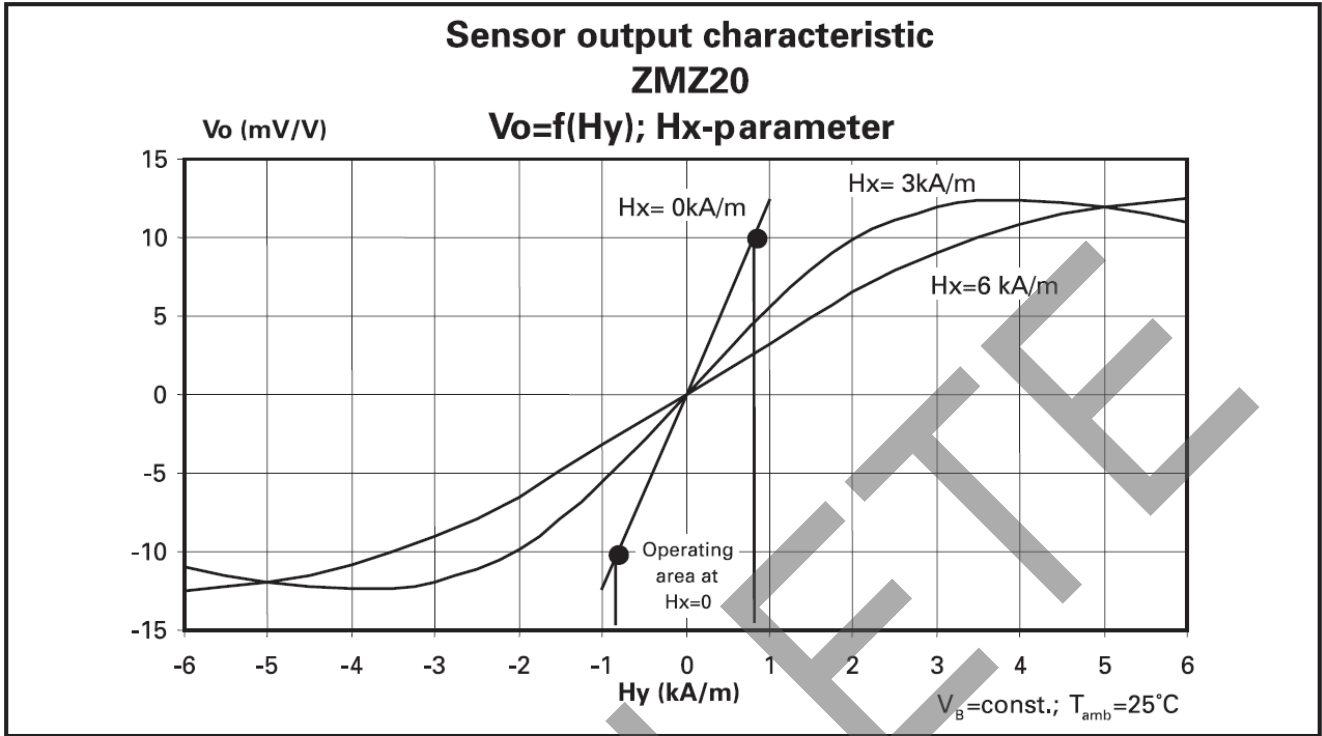
Application 1 (digital output)



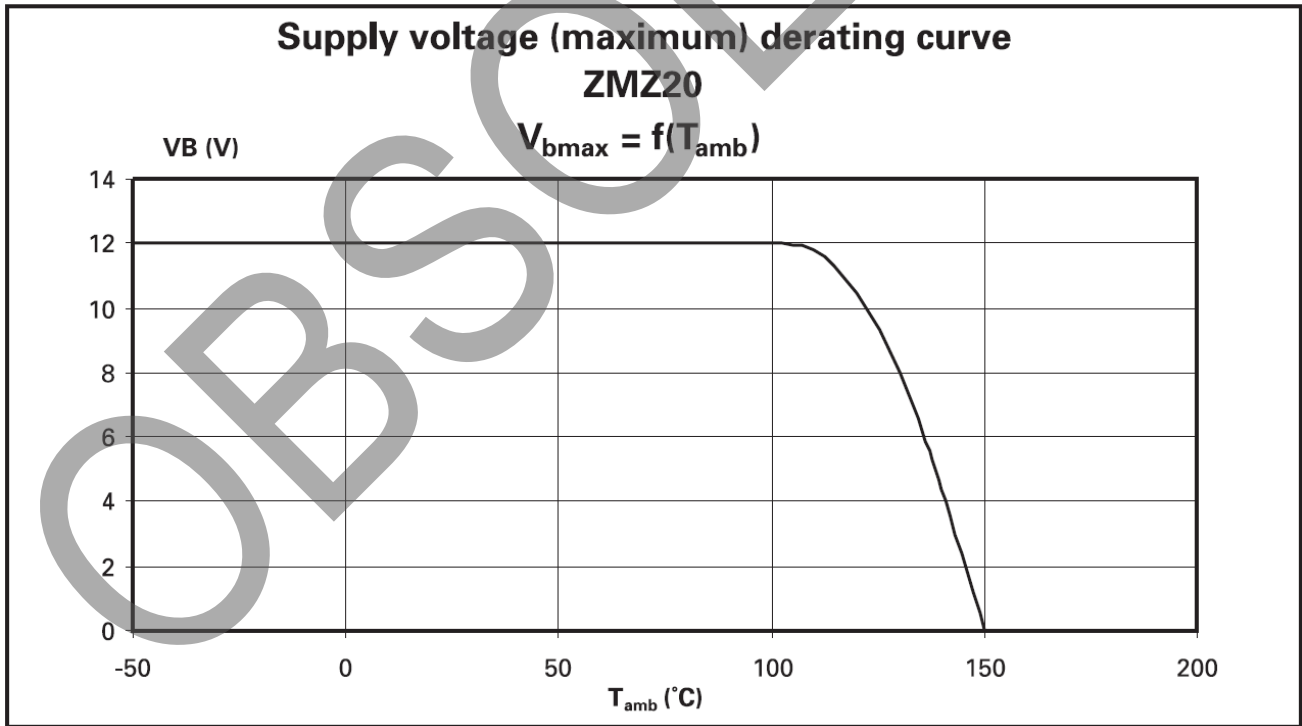
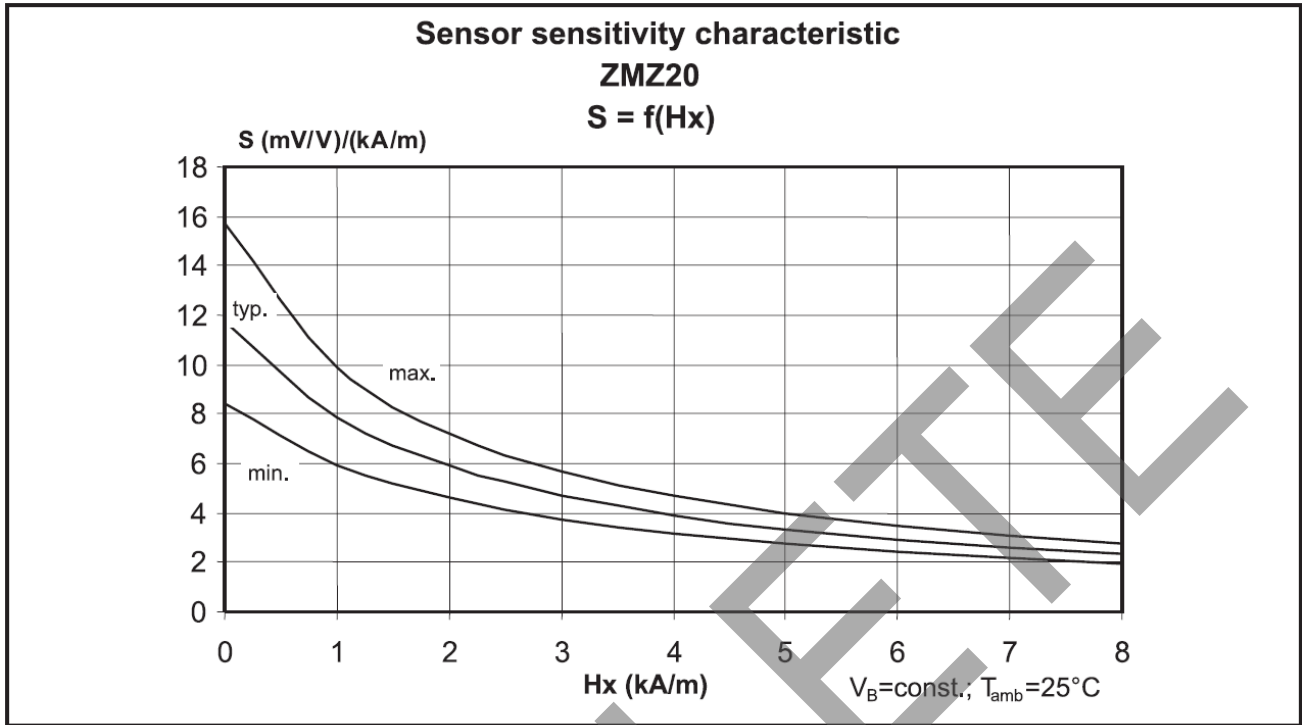
Application 2 (analog output)



OBSOLETE - PART DISCONTINUED

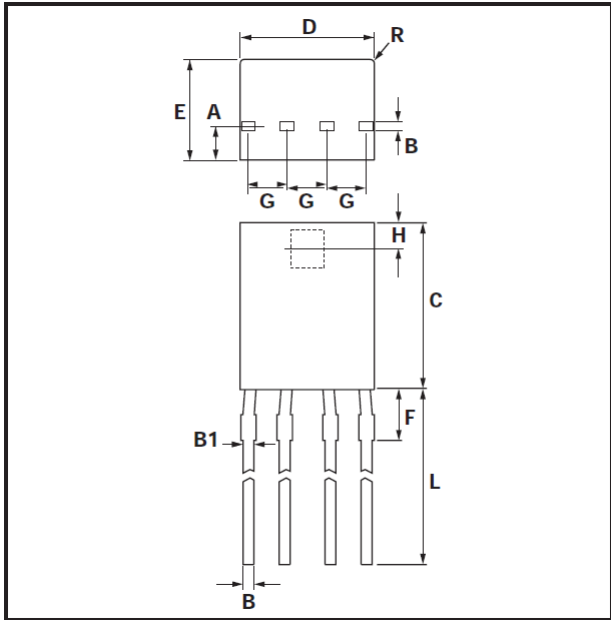


OBSOLETE - PART DISCONTINUED



Package Outline Dimensions

Please see <http://www.diodes.com/package-outlines.html> for the latest version.



DIM	Millimeters		Inches	
	Min	Max	Min	Max
A	0.8	1.0	0.032	0.039
B	0.35	0.48	0.014	0.019
B1	0.45	0.60	0.018	0.024
C	4.0	4.4	0.158	0.173
D	3.8	4.2	0.150	0.165
E	2.4	2.8	0.094	0.110
F	1.2	-	0.047	-
G	1.25	-	0.049	-

Controlling dimensions are in millimeters. Approximate conversions are given in inches

OBSOLETE - PART DISCONTINUED

OBSOLETE

IMPORTANT NOTICE

DIODES INCORPORATED MAKES NO WARRANTY OF ANY KIND, EXPRESS OR IMPLIED, WITH REGARDS TO THIS DOCUMENT, INCLUDING, BUT NOT LIMITED TO, THE IMPLIED WARRANTIES OF MERCHANTABILITY AND FITNESS FOR A PARTICULAR PURPOSE (AND THEIR EQUIVALENTS UNDER THE LAWS OF ANY JURISDICTION).

Diodes Incorporated and its subsidiaries reserve the right to make modifications, enhancements, improvements, corrections or other changes without further notice to this document and any product described herein. Diodes Incorporated does not assume any liability arising out of the application or use of this document or any product described herein; neither does Diodes Incorporated convey any license under its patent or trademark rights, nor the rights of others. Any Customer or user of this document or products described herein in such applications shall assume all risks of such use and will agree to hold Diodes Incorporated and all the companies whose products are represented on Diodes Incorporated website, harmless against all damages.

Diodes Incorporated does not warrant or accept any liability whatsoever in respect of any products purchased through unauthorized sales channel. Should Customers purchase or use Diodes Incorporated products for any unintended or unauthorized application, Customers shall indemnify and hold Diodes Incorporated and its representatives harmless against all claims, damages, expenses, and attorney fees arising out of, directly or indirectly, any claim of personal injury or death associated with such unintended or unauthorized application.

Products described herein may be covered by one or more United States, international or foreign patents pending. Product names and markings noted herein may also be covered by one or more United States, international or foreign trademarks.

This document is written in English but may be translated into multiple languages for reference. Only the English version of this document is the final and determinative format released by Diodes Incorporated.

LIFE SUPPORT

Diodes Incorporated products are specifically not authorized for use as critical components in life support devices or systems without the express written approval of the Chief Executive Officer of Diodes Incorporated. As used herein:

- A. Life support devices or systems are devices or systems which:
1. are intended to implant into the body, or
 2. support or sustain life and whose failure to perform when properly used in accordance with instructions for use provided in the labeling can be reasonably expected to result in significant injury to the user.
- B. A critical component is any component in a life support device or system whose failure to perform can be reasonably expected to cause the failure of the life support device or to affect its safety or effectiveness.

Customers represent that they have all necessary expertise in the safety and regulatory ramifications of their life support devices or systems, and acknowledge and agree that they are solely responsible for all legal, regulatory and safety-related requirements concerning their products and any use of Diodes Incorporated products in such safety-critical, life support devices or systems, notwithstanding any devices- or systems-related information or support that may be provided by Diodes Incorporated. Further, Customers must fully indemnify Diodes Incorporated and its representatives against any damages arising out of the use of Diodes Incorporated products in such safety-critical, life support devices or systems.

Copyright © 2019, Diodes Incorporated

www.diodes.com