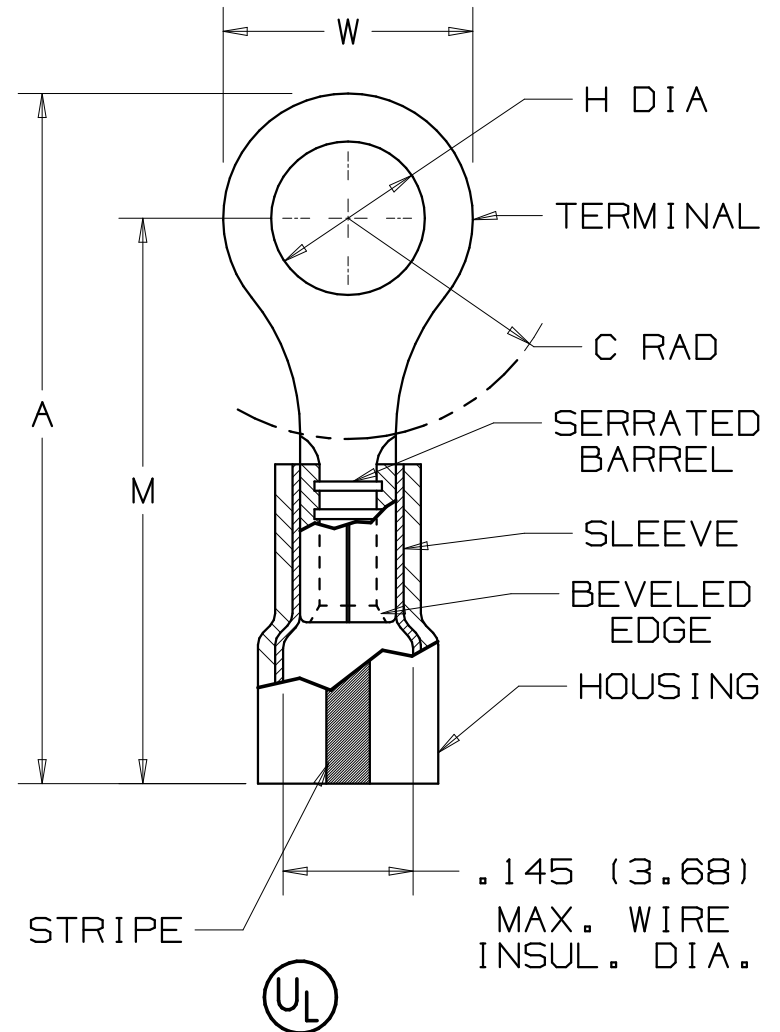


PANDUIT PART NUMBER	STUD SIZE	DIMENSIONS in.				
		A $\pm .04$	W $\pm .01$	C $\pm .02$	M $\pm .04$	H $\pm .01$
PK18-4R	#4	.80 (20.32)	.25 (6.35)	.22 (5.59)	.68 (17.27)	.12 (3.05)
PK18-6R	#6	.80 (20.32)	.25 (6.35)	.22 (5.59)	.68 (17.27)	.15 (3.81)
PK18-8R	#8	.89 (22.61)	.31 (7.87)	.29 (7.37)	.74 (18.80)	.17 (4.32)
PK18-10R	#10	.89 (22.61)	.31 (7.87)	.29 (7.37)	.74 (18.80)	.20 (5.08)
PK18-14R	1/4"	1.10 (27.94)	.46 (11.68)	.40 (10.16)	.87 (22.10)	.27 (6.86)
PK18-56R	5/16"	1.10 (27.94)	.46 (11.68)	.40 (10.16)	.87 (22.10)	.34 (8.64)
PK18-38R	3/8"	1.18 (29.97)	.53 (13.46)	.45 (11.43)	.92 (23.37)	.40 (10.16)

NOTES:

- UL LISTED FOR:
 - A. 600V. MAX. VOLTAGE RATING
 - B. #22-16 AWG SOLID OR STRANDED COPPER WIRE
 - C. 302°F (150°C) MAX. TEMP. RATING
- MATERIAL:
 - A. STAMPING - .03" (0.76) THK COPPER, TIN PLATED
 - B. HOUSING - KYNAR INSULATED
COLOR STRIPE - RED
 - C. SLEEVE - BRASS, TIN PLATED
- PACKAGE QTY: -X =10, -C =100
- DIMENSIONS IN BRACKETS ARE IN MILLIMETERS
- INSTALLATION TOOLS:
 - A. UL LISTED; CT-400, CT-1550, CT-1551, CT-2400 W/CT-2455CH
 - B. PANDUIT APPROVED: CT-100*, CT-260*,
CT-500, CT-550, CT-600

* FOR 22-18 AWG SOLID OR STRANDED COPPER WIRE
- WIRE STRIP LENGTH: $7/32" \pm 1/32$ (5.6 \pm .8)



LISTED
587H
E52164

A41297_05

PANDUIT CORP.

TINLEY PARK, ILLINOIS

#22-16 BARREL KYNAR INSULATED RING
TONGUE, .145 (3.68) MAX. WIRE
INSULATION DIAMETER

05	10/06	DAW	DAW	ADDED PK1856R & PK1838R, ADDED -X PK.	TR00171	TRO	LCA
--	---	--	--	REMOVED P/N'S PK18-56R & PK18-38R. ADDED CT-600 TO PANDUIT APPROVED TOOLS. ADDED NOTE 6.	-----	--	--
04	7/05	JHNU	LCA	REMOVED BULK PACKAGING FROM NOTE 3.	TR00002	TRO	LCA
03	3/00	JAMB	RLS	UPDATED DIM IN COL. "A" & COL "M" UPDATED NOTES	08315	TRO	JCJ
02	6/97	TM	RLS	UPDATED DIMENSIONS	06026	DRH	LA
1	8-88	DW	RS	REDRAWN WITH REVISIONS		JRB	LA
REV	DATE	BY	CHK	DESCRIPTION	ECN #	PM	CUST

DRAWN BY	CHK'D	SCALE	DRAWING NO.
DAW	CH	NONE	A41297