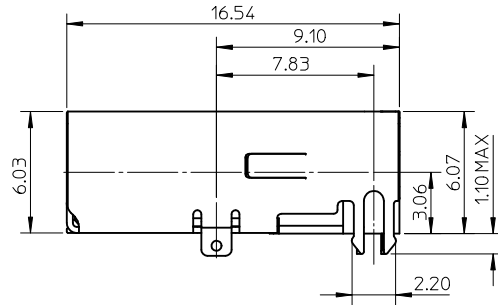
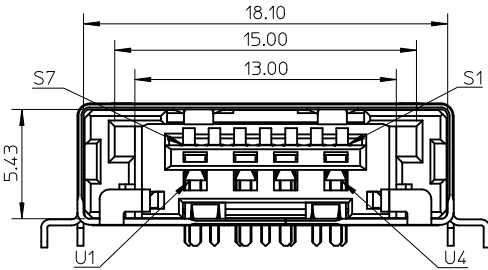


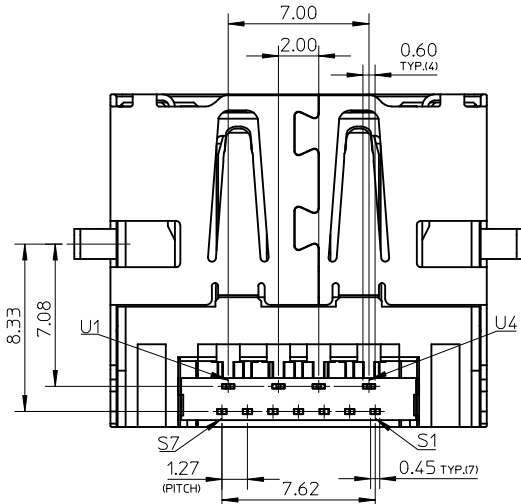
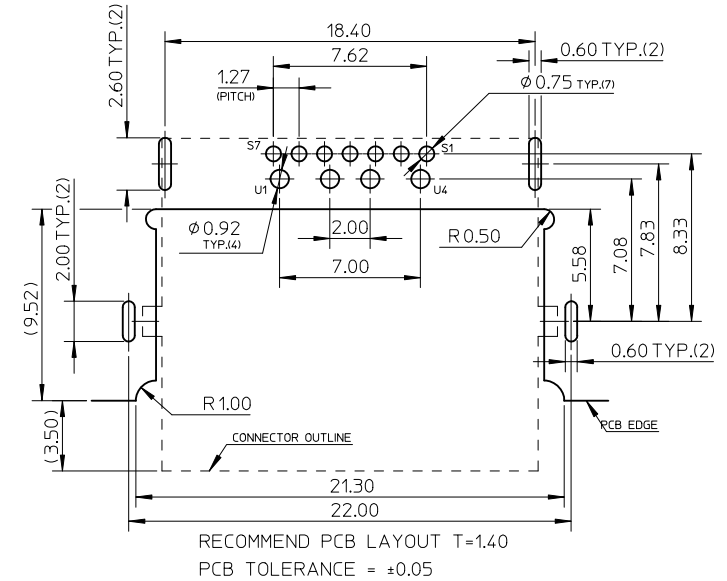
NOTES:

- MATERIAL:
 - HOUSING: HIGH TEMPERATURE THERMOPLASTIC, 30% GLASS FILLED, BLACK, UL94V-0.
 - TAIL GUIDER: HIGH TEMPERATURE THERMOPLASTIC, 30% GLASS FILLED, BLACK, UL94V-0.
 - TERMINAL-1: COPPER ALLOY.
 - TERMINAL-2: COPPER ALLOY.
 - METAL SHELL: STAINLESS STEEL.
- TERMINAL PLATING:
 - CONTACT AREA: GOLD PLATING. SEE TABLE
 - SOLDER AREA: MATTE TIN PLATING, 2.0 MICROMETERS MINIMUM.
 - UNDER PLATING: NICKEL PLATING, 2.0 MICROMETERS MINIMUM.
- METAL SHELL PLATING: SOLDERABLE NICKEL PLATING.
- PRODUCT SPECIFICATION: PS-47403-001.
- PACKAGE SPECIFICATION: PK-105132-100.
- PRODUCT COMPLIANT TO RoSH DIRECTIVE 2002/95/EC AND ELV DIRECTIVE 2000/53/EC.



PIN ASSIGNMENT

USB		ESATA	
NAME	TYPE	NAME	TYPE
U1	VBUS	S1	GND
U2	D-	S2	A+
U3	D+	S3	A-
U4	GND	S4	GND
		S5	B-
		S6	B+
		S7	GND



P/N	GOLD PLATING SPEC
105132-1000	GOLD FLASH
105132-1001	15u" MINIMUM
105132-1002	30u" MINIMUM

<p>NEW RELEASE</p> <p>EC NO: SH2010-0291</p> <p>DRWNG:LLI 2010/02/08</p> <p>CHKD:STARY SONG 2009/10/15</p> <p>APPR:RZHANG 2010/02/26</p>	<p>QUALITY SYMBOLS</p> <p>▽=0</p> <p>▽=0</p> <p>▽=0</p>	<p>GENERAL TOLERANCES (UNLESS SPECIFIED)</p>		<p>DIMENSION STYLE</p> <p>MM ONLY</p>	<p>SCALE</p> <p>4:1</p>	<p>DESIGN UNITS</p> <p>METRIC</p>	<p>THIRD ANGLE PROJECTION</p>		
		<p>4 PLACES ± --- ± ---</p>	<p>3 PLACES ± --- ± ---</p>	<p>DRAWN BY</p> <p>DIXON LI</p>	<p>DATE</p> <p>2009/10/15</p>	<p>TITLE</p> <p>COMBO OF ESATA & USB TOP MOUNT, SINK TYPE</p>			
		<p>2 PLACES ± --- ± ---</p>	<p>1 PLACE ± 0.25 ± ---</p>	<p>CHECKED BY</p> <p>STARY SONG</p>	<p>DATE</p> <p>2009/10/15</p>	<p>MOLEX INCORPORATED</p>			
		<p>ANGULAR ± 3°</p>		<p>APPROVED BY</p> <p>RZHANG</p>	<p>DATE</p> <p>2010/02/12</p>	<p>SD-105132-100</p>			
<p>DRAFT WHERE APPLICABLE MUST REMAIN WITHIN DIMENSIONS</p>		<p>MATERIAL NO.</p> <p>SEE CHART</p>	<p>SIZE</p> <p>A3</p>	<p>THIS DRAWING CONTAINS INFORMATION THAT IS PROPRIETARY TO MOLEX INCORPORATED AND SHOULD NOT BE USED WITHOUT WRITTEN PERMISSION</p>					